

SETTING UP YOUR PRODUCT

1. Carefully remove all parts from packaging.
2. Make sure you have all parts listed according to your model:
 - TD008 - 1 Polycarbonate Panel & 2 Metal Brackets
 - TD009 - 1 Polycarbonate Panel & 2 Metal Brackets
 - TD010 - 1 Polycarbonate Panel & 2 Metal Brackets
 - TD011 - 1 Polycarbonate Panel & 3 Metal Brackets
 - TD012 - 1 Polycarbonate Panel, 1 Metal Bracket, & 2 Cross Connectors
 - TD013 - 1 Polycarbonate Panel, 1 Metal Bracket, & 2 Cross Connectors
 - TD014 - 1 Polycarbonate Panel & 4 Cross Connectors
 - TD015 - 1 Polycarbonate Panel & 4 Cross Connectors
3. To assemble, make sure the area you will be placing the metal bracket is clean and dry. It is recommend to clean surface with rubbing alcohol and let dry completely.
4. Remove the liner on the double sided tape on the bottom of the bracket as shown in Figure 1. Press metal bracket firmly against table surface until secured. See Figure 2.
5. Simply slide polycarbonate in metal bracket openings as shown in Figure 3

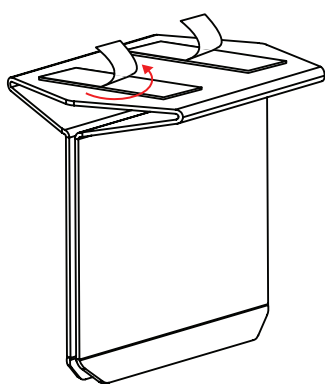


Figure 1

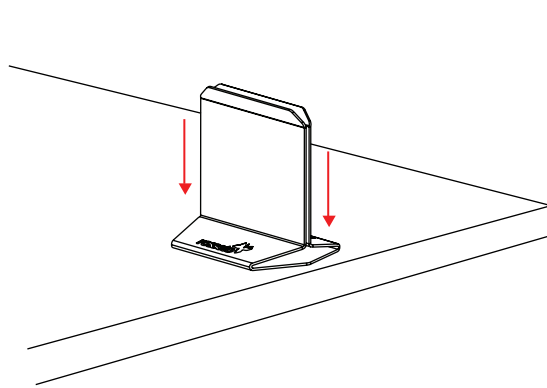


Figure 2

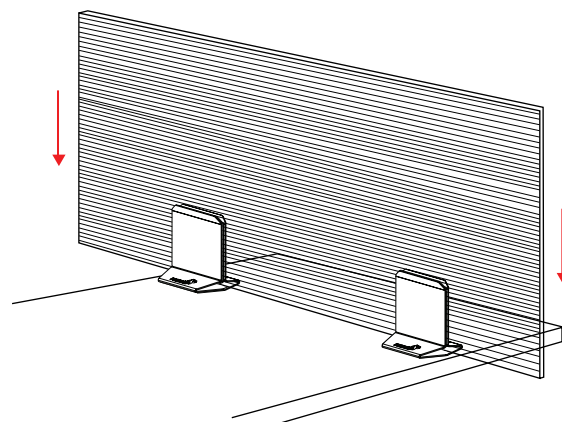
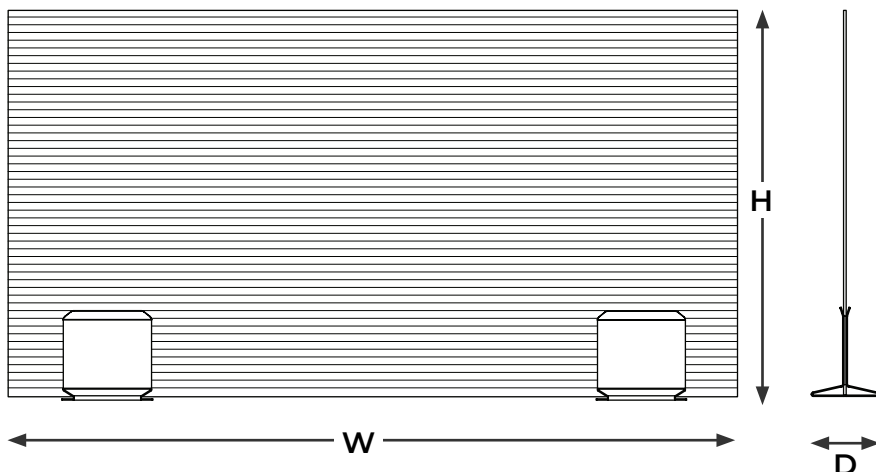


Figure 3



SPECIFICATIONS

Item Number	Dimension W x D x H (IN)	Polycarbonate Thickness
TD008	36x3x20	0.16 in / 4mm
TD009	42x3x20	
TD010	48x3x20	
TD011	60x3x20	
TD012	18x3x20	
TD013	24x3x20	
TD014	18x0.16x20	
TD015	24x0.16x20	



REPLACEMENT PARTS

Item Number	Description	Material
TDC001	Cross Connector	Polypropylene
SM367	Bracket	Stainless Steel

CLEANING & CARE INSTRUCTIONS

- DO NOT put any part of the unit through dishwasher or dryer machine.
- DO NOT use any abrasive materials such as scrapers or metal-based brushes.
- DO NOT use harsh chemicals or abrasive cleaners.

Polycarbonate Care:

To maintain the quality of your polycarbonate, wipe down with a warm damp cloth and mild soap. Use a clean, damp cloth to rinse off soap. Dry with a soft sponge or cloth to prevent water spots. Be careful to not get water in the interior channels of the polycarbonate as it will be hard to remove water spots from the inside.

Stainless Steel Care:

Metal Care: Wipe down with damp microfiber cloth and always wipe dry with a microfiber cloth. Store in a dry and well-ventilated place.

