

FETCO®

ITEM NUMBER: _____

**MODEL TPD-30
SERIES TPD**

NATURAL EVOLUTION



It Started in 1987.....

We pioneered the **LUXUS® THERMAL DISPENSER**, dreaming that one day it would become the standard for dispensing coffee that always tastes "just brewed". Fifteen years and hundreds of thousands of dispensers later our vision is the mark of serving the freshest tasting coffee.

Now for those who are driven and passionate about providing the best coffee, we present our newest model of

LUXUS® THERMAL DISPENSERS with these patented innovations:

Thermally Insulated

All Stainless Construction

Twist & Remove Lid

Sight Gauge

Consultant & Contractor Approvals:

--

The LUXUS® Thermal Dispenser
Brewing directly into our LUXUS® Thermal Dispenser ensures a continuous flow of hot, aromatic, great tasting coffee. LUXUS® Thermal Dispensers are totally portable and require no electric power to maintain serving temperature. LUXUS® Thermal Dispensers remove the hazards of utilizing glass-lined products without loss of performance, while adding the durability of stainless steel.

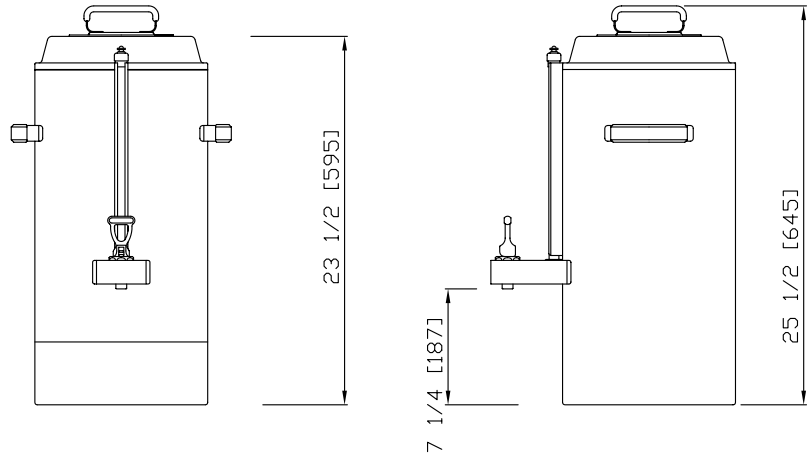
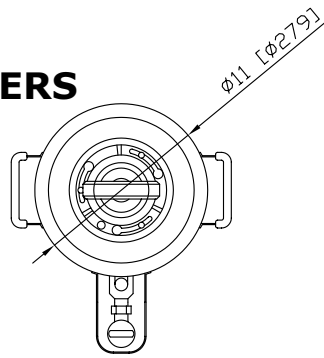
**FETCO®
600 Rose Road
Lake Zurich, IL 60047-0429
USA**

**Phone: (847) 719-3000
Toll Free: (800) FETCO-99**

**FAX: (847) 719-3001
sales@fetco.com**

http://www.fetco.com

MODEL TPD-30
LUXUS® THERMAL DISPENSERS



TPD-30

ITEM / CAPACITY
D012 / 3.0 Gallon

SHIPMENT DIMENSIONS / WEIGHT
W14 D16 H28 / 21lbs

ACCESSORIES

A015 Round Drip Tray

A031 3.0 Gallon Maritime Brewer & Server Ring For TPD-30 (MSR-30)

A069 Identifier Plate, Acrylic

A086 Ring Plastic Base For TPD-30

OPTIONS

Z044 Wrap Application

FETCO®
600 Rose Road
Lake Zurich, IL 60047-0429 USA
Phone: (847) 719-3000 Toll Free: (800) FETCO-99
FAX: (847) 719-3001
sales@fetco.com <http://www.fetco.com>

FETCO, LUXUS, Extractor, Pulse-Brew, Driven To Pioneer Innovation and product dress are all trademarks or registered trademarks of Food Equipment Technologies Company