

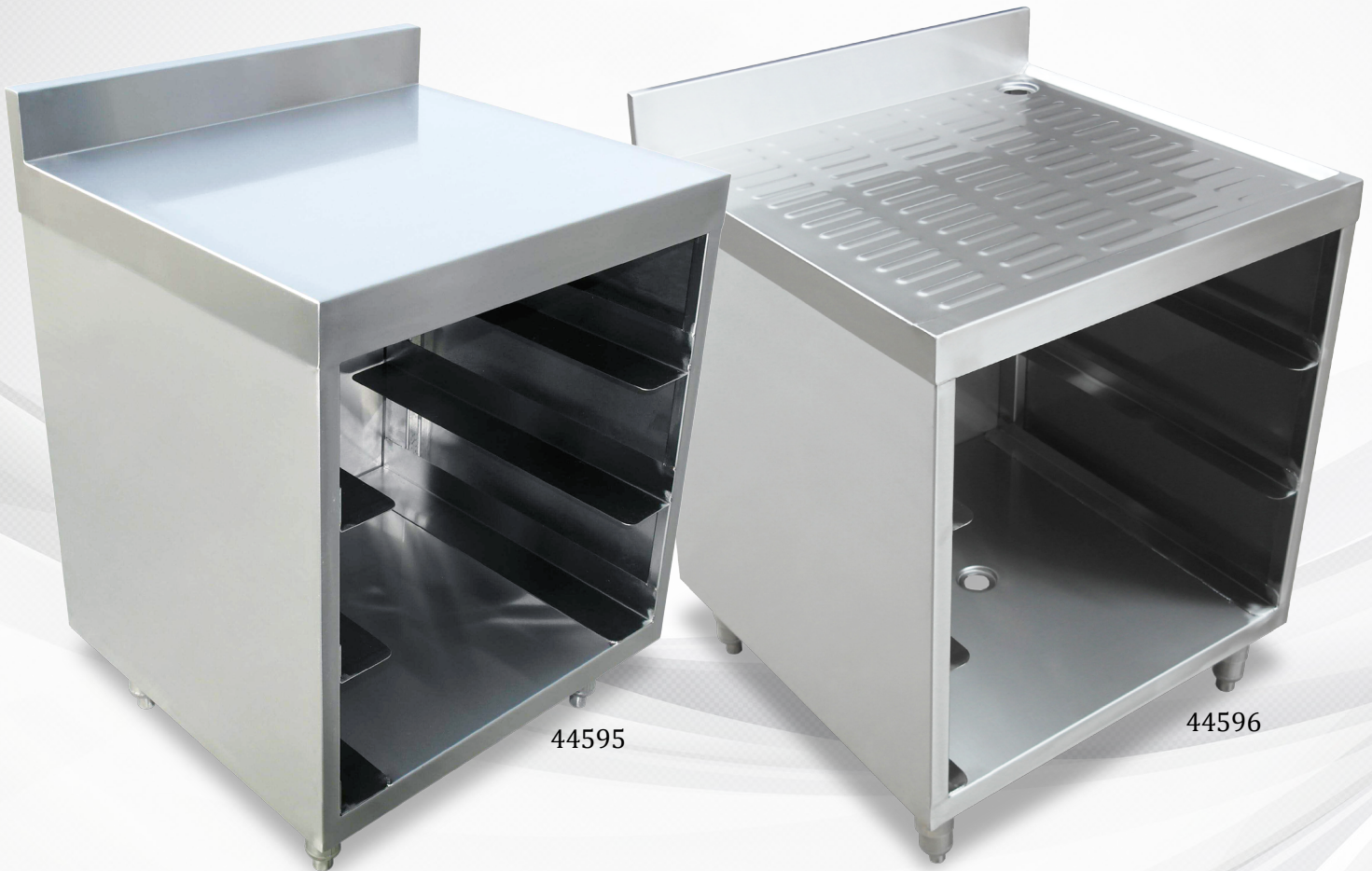


HANDLING AND STORAGE

SERVING THE FOOD INDUSTRY SINCE 1951

UNDERBAR GLASS RACK STORAGE UNITS

Omcan's Stainless Steel Underbar Glass Rack Storage Units are designed to hold glass racks and/or other items while keeping them in sanitary and good condition.



WARRANTY



Authorized Dealer

HANDLING AND STORAGE

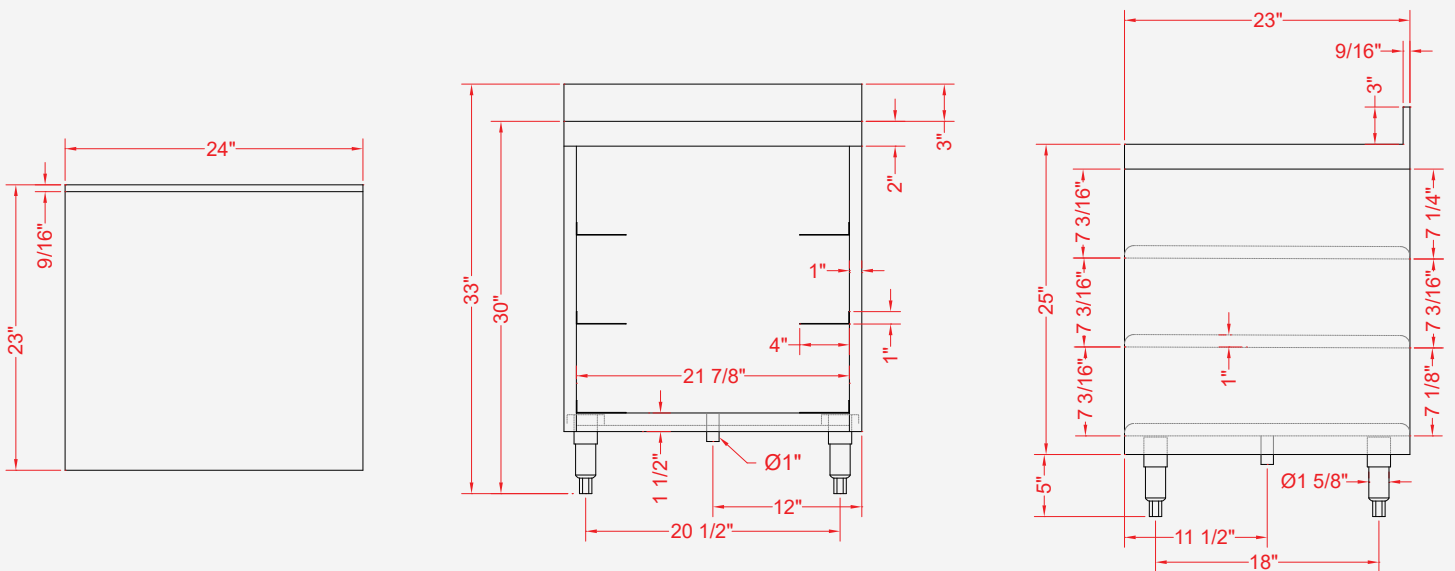
STAINLESS STEEL FLAT TOP GLASS RACK STORAGE UNIT



TECHNICAL SPECIFICATIONS

ITEM	44595
MATERIAL	18 Gauge. 304 Stainless Steel
DRAIN SIZE	1" / 25.4 mm
RACK CAPACITY	Can hold 3 full-size racks
ADJUSTABLE FEET	Yes; Maximum height is 6"
DIMENSIONS (DWH)	23" x 24" x 33" 584.2 x 609.6 x 838.2 mm
GROSS DIMENSIONS	31" x 24" x 25" 787.4 x 609.6 x 635 mm
NET WEIGHT	55 lbs. / 24.9 kg.
GROSS WEIGHT	64 lbs. / 29 kg.

TECHNICAL DRAWINGS WITH DETAILED DIMENSIONS



OMCAN INC.

Telephone: 1-800-465-0234
 Fax: (905) 607-0234
 Email: sales@omcan.com
 Website: www.omcan.com



Follow us to keep up to date with the latest news and offers



HANDLING AND STORAGE

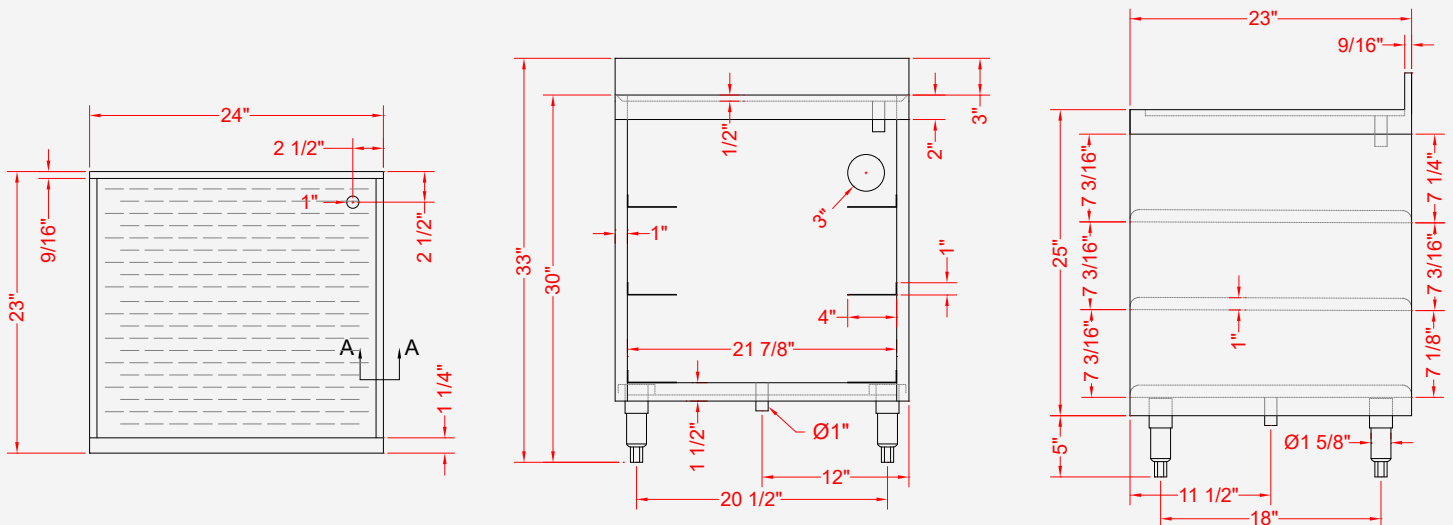
STAINLESS STEEL CORRUGATED TOP
GLASS RACK STORAGE UNIT



TECHNICAL SPECIFICATIONS

ITEM	44596
MATERIAL	18 Gauge. 304 Stainless Steel
DRAIN SIZE	1" / 25.4 mm
RACK CAPACITY	Can hold 3 full-size racks
ADJUSTABLE FEET	Yes; Maximum height is 6"
DIMENSIONS (DWH)	23" x 24" x 33" 584.2 x 609.6 x 838.2 mm
GROSS DIMENSIONS	31" x 24" x 25" 787.4 x 609.6 x 635 mm
NET WEIGHT	57 lbs. / 25.9 kg.
GROSS WEIGHT	66 lbs. / 29.9 kg.

TECHNICAL DRAWINGS WITH DETAILED DIMENSIONS



OMCAN INC.

Telephone: 1-800-465-0234

Fax: (905) 607-0234

Email: sales@omcan.com

Website: www.omcan.com



Follow us to keep up to date
with the latest news and offers



2019.E.O.E