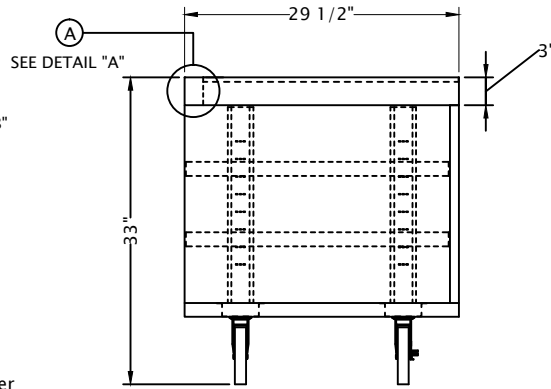
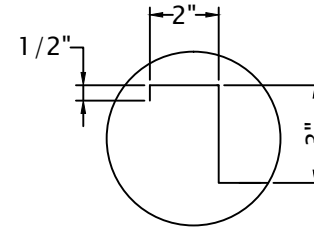


FRONT ELEVATION

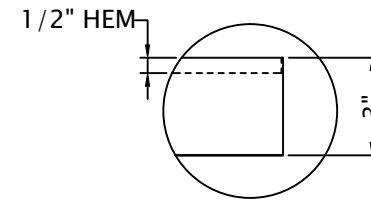


SIDE VIEW

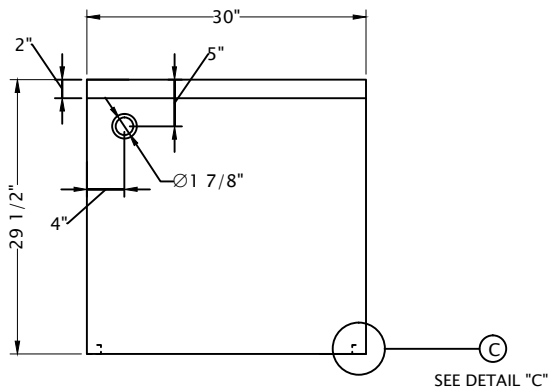
● 16 GA. 201 STAINLESS STEEL CONSTRUCTION.



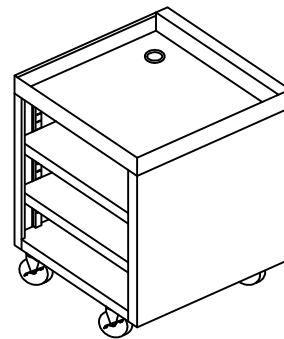
DETAIL "A"



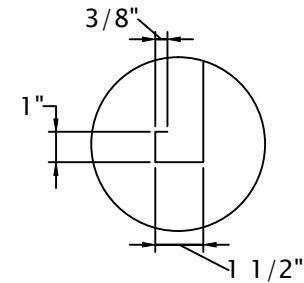
DETAIL "B"



PLAN VIEW



ISOMETRIC



DETAIL "C"

DRAWIN FOR :	MAT.	TOP : 16GA. 201S/S BASE :	DATE	REVISIONS	<p>Tarrison Products Ltd.</p>
REF. NO :	REQ'D/ITEM :				
ITEM NAME : Slicer Stand	DATE : Apr / 28 / 2017				
PROD. NO. : TA-BLP30SS	BY :				
SCALE: 1/2" =1'-0"	CHECKED BY :				