



SERVING THE FOOD INDUSTRY SINCE 1951

## Drop-in Curve Glass Refrigerated Showcase

Item: 47560 | 48887 | 47561 | 47562



47560 - 28 Inch



48887 - 35 Inch



47561 - 48 Inch



47562 - 60 Inch

Attractively designed to boost impulse sales

Keeping your good freshness at safe temperatures



### FEATURES

- Stainless Steel body
- Smooth curved glass finish
- Attractive tall design
- Environmentally safe R290 refrigerant
- Automatic Defrost
- Digital Thermostat

Telephone: 1-800-465-0234

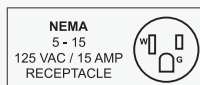
Fax: (905) 607-0234

Email: sales@omcan.com

Website: www.omcan.com



Authorized Dealer

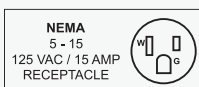


# Drop-in Refrigerated Showcase



## SPECIFICATIONS

	28-Inch	35-Inch	48-Inch	60-Inch
<b>Item</b>	47560	48887	47561	47562
<b>Model</b>	RS-CN-0120-4D	RS-CN-0160-4D	RS-CN-0202-4D	RS-CN-0252-4D
<b>Net Volume</b>	88 L / 3.1 cu.ft.	112 L / 3.95 cu.ft.	157 L / 5.54 cu.ft.	198 L / 6.9 cu.ft.
<b>Temperature Range</b>	0 - 12°C / 32 - 53.6°F			
<b>Refrigerant</b>	R290			
<b>Max Ambient Temp</b>	23.9°C / 75°F			
<b>Electrical</b>	110-120V / 60Hz / 1			
<b>Current</b>	2.8 A	3.2 A	3.6 A	4.9 A
<b>Power</b>	2/7 HP			
<b>BTU/hr</b>	1261			
<b>Defrosting</b>	Automatic Defrost			
<b>Exterior Material</b>	Stainless steel, Tempered Glass, Plastic			
<b>Interior Material</b>	Stainless Steel, Plastic			
<b>Temperature Controller</b>	Digital Thermostat			
<b>Door Type</b>	Sliding Door			
<b>Insulation Material</b>	EPS			
<b>Shelf Material</b>	Chrome Plated			
<b>Shelf Load Capacity</b>	44 lb. / 20 kg			
<b>Shelf Dimensions</b>	25" x 13.2" / 636 x 335 mm 25" x 14.5" / 636 x 367 mm	32" x 13.2" / 813 x 335 mm 32" X 14.5" / 813 X 367 mm	45.5" x 13.2" / 1156 x 335 mm 45.5" x 14.5" / 1136 x 367 mm	57.4" x 12.6" / 1457 x 320 mm 57.4" x 14.5" / 1457 x 367 mm
<b>Interior Dimensions</b>	26.2" x 19.3" x 16.2" 665 x 490 x 412 mm	33.2" x 19.3" x 16.2" 843 x 490 x 412 mm	46.5" x 19.3" x 16.2" 1182 x 490 x 412 mm	58.5" x 19.3" x 16.2" 1487 x 490 x 412 mm
<b>Net Dimensions (DWH)</b>	27.6" x 22.6" x 27.4" 702 x 575 x 696 mm	34.6" x 22.6" x 27.4" 880 x 575 x 696 mm	48" x 22.6" x 27.4" 1219 x 575 x 696 mm	60" x 22.6" x 27.4" 1524 x 575 x 696 mm
<b>Gross Dimensions (DWH)</b>	30.4" x 24.7" x 28.9" 773 x 627 x 735 mm	37.4" x 24.7" x 28.9" 951 x 627 x 735 mm	50.8" x 24.7" x 28.9" 1290 x 627 x 850 mm	62.8" x 24.7" x 29.4" 1595 x 627 x 860 mm
<b>Net Weight</b>	132.3 lb. / 60 kg	153.3 lb. / 69.5 kg	206.2 lb. / 93.5 kg	267.9 lb. / 121.5 kg
<b>Gross Weight</b>	138.9 lb. / 63 kg	161 lb. / 73 kg	233.7 lb. / 106 kg	309.8 lb. / 140.5 kg



# Drop-in Refrigerated Showcase



## TECHNICAL DRAWINGS & DIMENSIONS

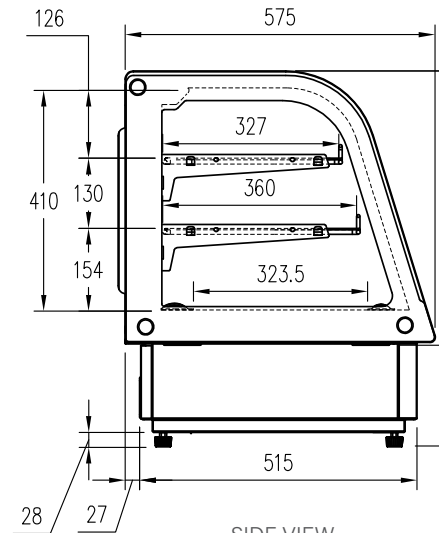
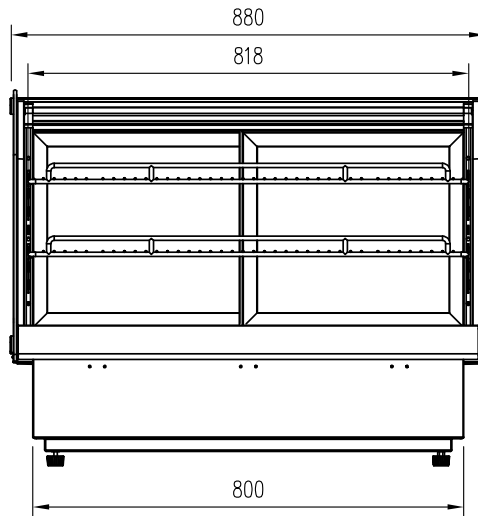
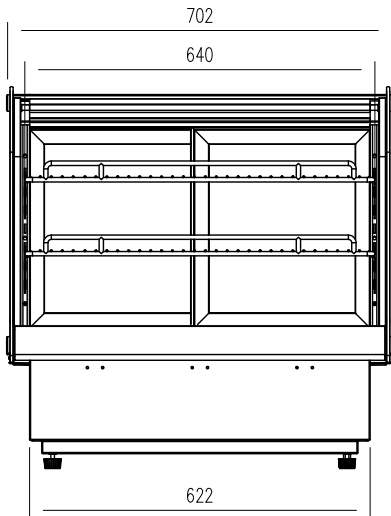
\*measurements in diagrams are in mm

#47560 - 28" / 88 L

#48887 - 35" / 112 L

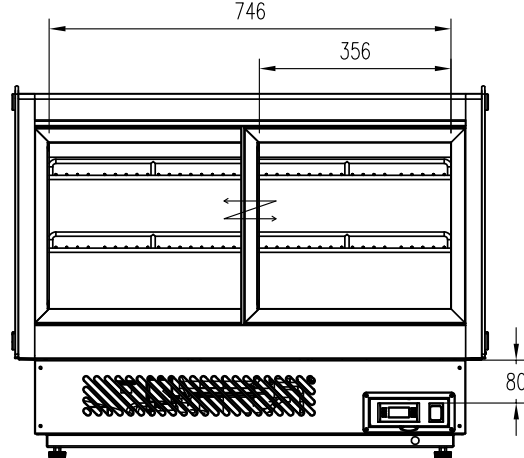
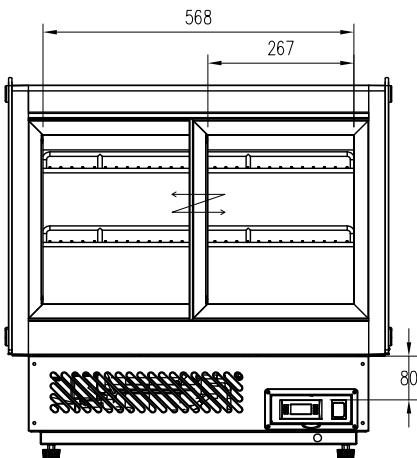


FRONT VIEW



SIDE VIEW

BACK VIEW



**WARRANTY**  
PARTS AND LABOR



NEMA  
5 - 15  
125 VAC / 15 AMP  
RECEPTACLE



# Drop-in Refrigerated Showcase



## TECHNICAL DRAWINGS & DIMENSIONS

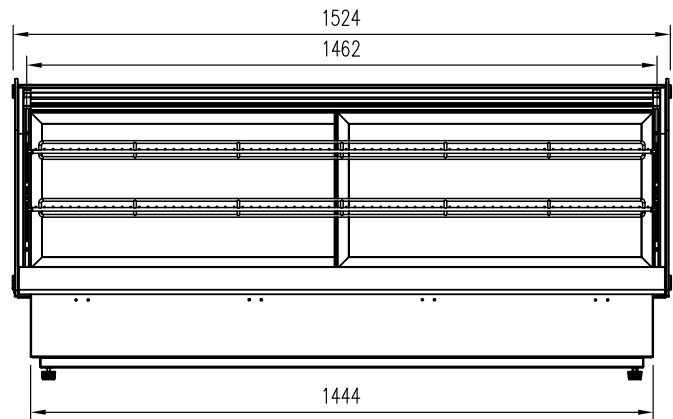
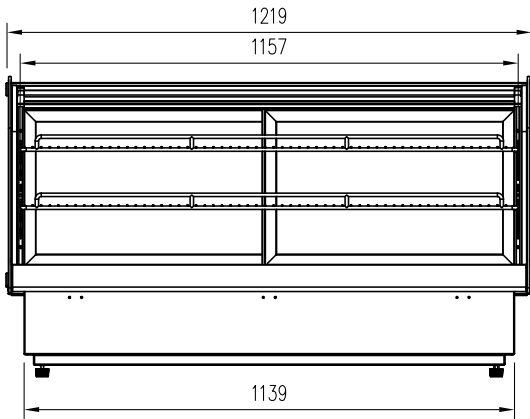
\*measurements in diagrams are in mm

#47561 - 48" / 157 L

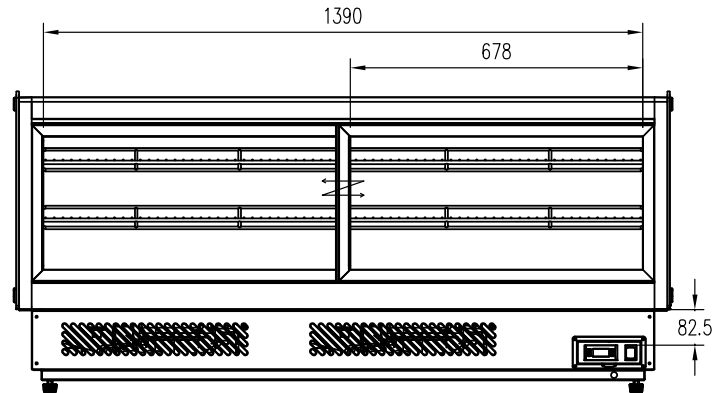
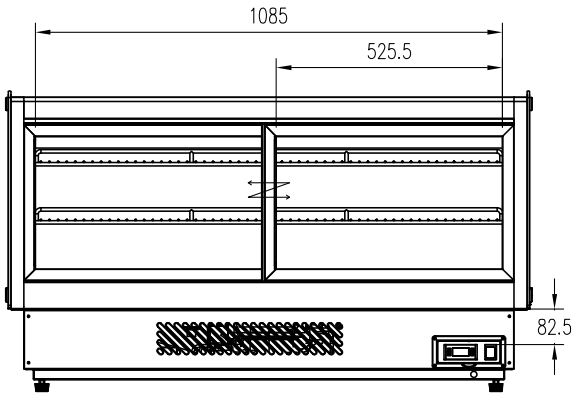
#47562 - 60" / 198 L



FRONT VIEW



BACK VIEW



**WARRANTY**  
PARTS AND LABOR



NEMA  
5-15  
125 VAC / 15 AMP  
RECEPTACLE

