



DROP-IN

WRAPPED COLDWALL COLD PAN MODEL RCP

Self-contained, wrapped coldwall drop-in refrigerated cold display pan with one piece stainless steel interior and top. Drain, and ball valve provided. Environmental safe R-290 refrigeration system is SNAP compliant (0) ozone depletion (ODP) and (3) global warming potential (GWP). Includes precise temperature electronic control and cordset for 115v operation. Top opening is constructed using wrapped refrigeration with foamed in place urethane insulation. Meets NSF Std. #7 for holding 41°F. product temperatures.

SHORT FORM SPEC: Randell RCP series drop-in refrigerated cold pan with recessed pan holding. Top and interior to be 18 gauge stainless steel standard with adapter bars and 1" drain with ball valve. Insulated with CFC free foamed in place polyurethane insulation. Electronically controlled R290 refrigeration system is suspended below body on swivel base corrosion resistant framework and provided with dual air movement louvered panel.

AVAILABLE MODELS:

RCP-1	RCP-7
RCP-2	RCP-8
RCP-3	RCP-9
RCP-4	RCP-2N
RCP-5	RCP-3N
RCP-6	RCP-4N

STANDARD FEATURES:

- Swivel base condensing unit allows for front or side location of the single air intake/exhaust louver (model RCP-1 is not available with rotating compressor housing)
- Exclusive easy mount system
- Self-contained, wrapped refrigeration system with electronic control, system utilizes "CFC free", R-290 refrigerant
- Meets 1998 NSF Std. #7 - holds 41°F product temperatures
- All stainless steel top and covered corner interior
- Drain and ball valve provided
- Foamed in place, "CFC free" urethane insulation
- One dual air movement louver provided
- 9' cordset for 120V plug-in operation
- Self-contained, refrigerated unit for cold display without ice
- SNAP compliant (0) ozone depletion (ODP) and (3) global warming potential (GWP)
- Easy installation with sliding duct, louver and hold down brackets

CABINET EXTERIOR: Top and covered corner interior to be constructed of 18 gauge stainless steel. Exterior body to be corrosion resistant steel. Condensing unit mounted on corrosion resistant framework, suspended below unit body. (1) stainless steel louver panel provided for field installation in counter.

UNIT INTERIOR: Interior fitted with 1" drain at one end. Supplied with ball valve. Insulated with CFC free, foamed in place polyurethane. Recessed, stainless steel ledge provided for supporting pans, adaptor bars included.

REFRIGERATION: SNAP compliant (0) ozone depletion (ODP) and (3) global warming potential (GWP), R-290 refrigeration system to be wrapped refrigeration construction. Condensing unit, and electronic control for operator adjust-ability mounted on corrosion resistant framework, suspended below the unit body. 8' cordset (NEMA 5-15P) supplied for 115V operation.

ORIGIN OF MANUFACTURE:
Designed and manufactured in the United States.



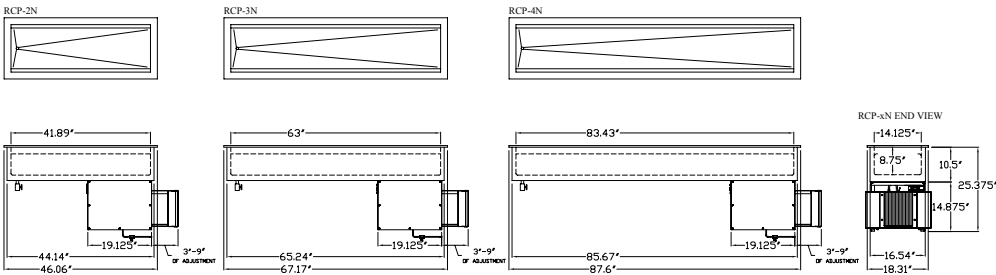
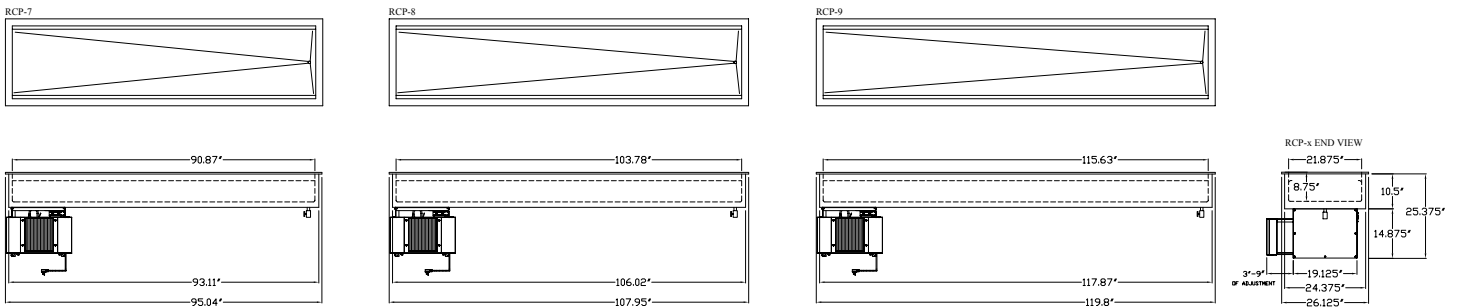
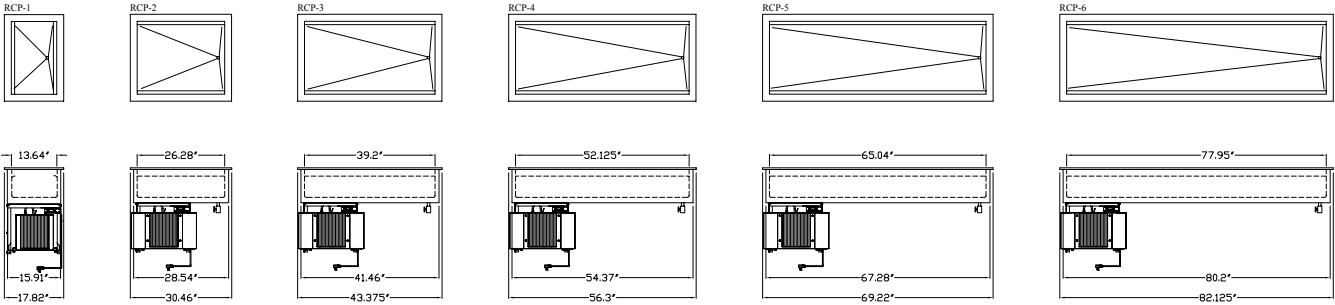
PROJECT NAME:	
LOCATION:	
ITEM NO:	
QTY:	
MODEL NO:	
AIA NO:	
SIS NO:	
CSI SECTION:	11400



Model RCP-4 shown

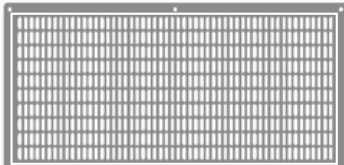
OPTIONS/ACCESSORIES:

- Adaptor bars
- Remote on/off switch
- Custom size



Model	Length	Width	Pan Capacity 12" x 20"	Cutout Dim		HP	Volts	AMPS	NEMA	Ship WT (lbs)
				Length	Width					
RCP-1	17.82"	26"	1	16.5"	24.75"	1/4	115/60/1	3.5	5-15P	110
RCP-2	30.5"	26"	2	29"	24.75"	1/4	115/60/1	3.5	5-15P	140
RCP-3	43.375"	26"	3	42"	24.75"	1/4	115/60/1	3.5	5-15P	175
RCP-4	56.25"	26"	4	54.75"	24.75"	1/4	115/60/1	3.5	5-15P	210
RCP-5	69.25"	26"	5	67.75"	24.75"	1/4	115/60/1	3.5	5-15P	245
RCP-6	82.125"	26"	6	80.75"	24.75"	1/4	115/60/1	3.5	5-15P	280
RCP-7	95"	26"	7	93.75"	24.75"	1/3	115/60/1	5.6	5-15P	315
RCP-8	108"	26"	8	106.5"	24.75"	1/3	115/60/1	5.6	5-15P	350
RCP-9	120"	26"	9	118.5"	24.75"	1/3	115/60/1	5.6	5-15P	385
RCP-2N	46"	18.31"	2	44.75"	17"	1/4	115/60/1	3.5	5-15P	140
RCP-3N	67.17"	18.31"	3	65.75"	17"	1/4	115/60/1	3.5	5-15P	175
RCP-4N	87.6"	18.31"	4	86"	17"	1/4	115/60/1	3.5	5-15P	210

Exhaust side



Exhaust

Total Exhaust Area = 88.7 in²

Exhaust Area slots : 10 x 54 = 540 slots
 Perforation size : 0.75 in x .22 in (19 mm x 5.5mm)

Air Intake

Total Air Intake Area = 88.7 in²

Air Intake Area : 10 x 50 & 2 x 20 = 540 slots
 Perforation Size : 0.75 in x .22 in (19 mm x 5.6 mm)

See operators manual for RCP-1 installation requirements.

Air Intake side

