



DROP-IN

WATER AND ICE STATION MODELS 9505 & 9515

Water and ice station with stainless steel top and interior. Equipped with glass filler, drain trough, with 1" ice bin drain. Removable stainless steel cover provided.

PROJECT NAME:

LOCATION:

ITEM NO:

QTY:

MODEL NO:

AIA NO:

SIS NO:

CSI SECTION: 11400

SPECIFICATIONS:

Top to be one piece of die-stamped 20 gauge stainless steel. Equipped with glass filler and stamped water trough with wire grate. Ice bin liner is stainless steel, coved cornered and equipped with 1" drain, with foamed in place polyurethane insulation. Water supply and drain lines to be located outside of ice bin. Outer body is corrosion resistant steel.

ORIGIN OF MANUFACTURE:

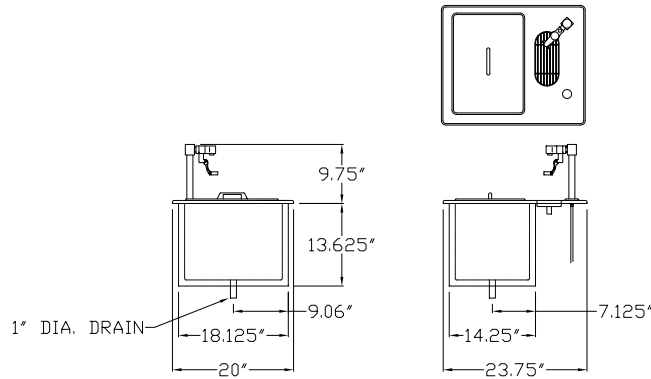
Designed and manufactured in the United States.

Model 9505 shown



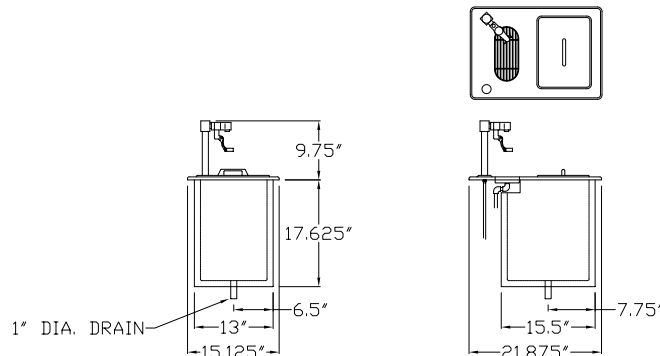
AVAILABLE MODELS:

9505



Model	L	W	H	Capacity	Cutout Dim.	Ship Wt.
9505	23-3/4"	20"	23-3/8"	44 lbs	22-3/8" x 18-7/8"	38

9515



Model	L	W	H	Capacity	Cutout Dim.	Ship Wt.
9515	21-7/8"	15-1/2"	27-3/8"	43 lbs	20-1/2" x 14"	35

