



4184 E. Conant St.
 Long Beach, CA 90808
 Tel. 800-500-3519
 Fax. 310-900-1066
 www.turboairinc.com

Project :

Model # :

Item # :

Qty :

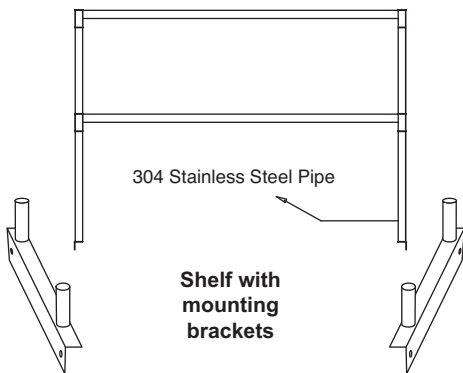
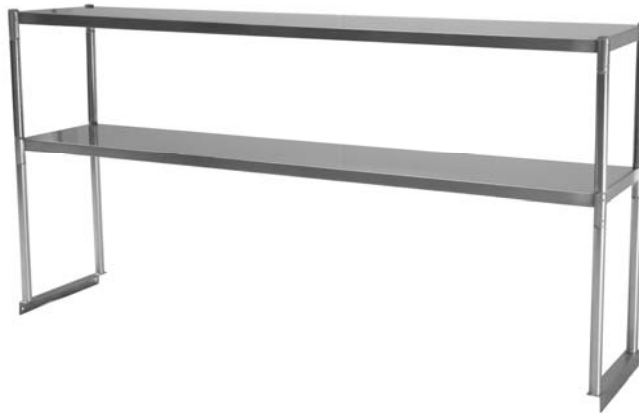
Available W/H :

Approval :

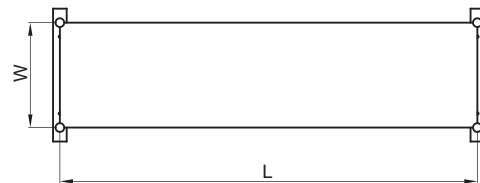
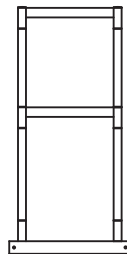
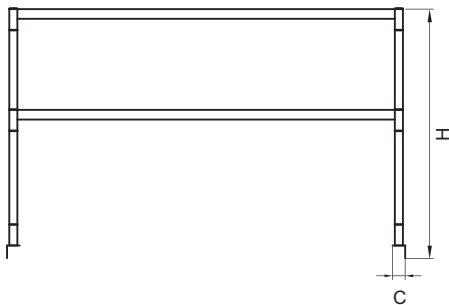
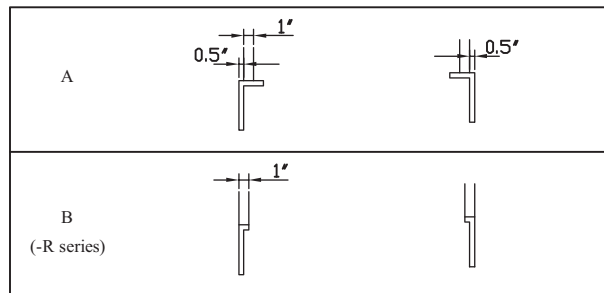
Over Shelves

HIGH QUALITY 304 STAINLESS STEEL

Model : TSOS-



Bracket



(Unit : inch)

Model	Ga.	L	B	H	C	Weight (lbs)
TSOS-3	18	36	11.8	23.5	1.5	25
TSOS-4	18	48	11.8	23.5	1.5	28
TSOS-5	18	60	11.8	23.5	1.5	31
TSOS-6	18	72	11.8	23.5	1.5	35

Model	Ga.	L	B	H	C	Weight (lbs)
TSOS-3R	18	11.8	36	23.5	1	25
TSOS-4R	18	11.8	48	23.5	1	28
TSOS-5R	18	11.8	60	23.5	1	31
TSOS-6R	18	11.8	72	23.5	1	35