

**REFRIGERATOR MANUFACTURER**  
**Turbo air**  
 more durable, efficient, beautiful

4184 E. Conant St.  
 Long Beach, CA 90808  
 Tel. 310-900-1000  
 Fax. 310-900-1077  
[www.turboairinc.com](http://www.turboairinc.com)

Project :	
Model # :	
Item # :	Qty :
Available W/H :	
Approval :	

## Horizontal Open Display Cases

*Slim Line  
 Glass Side Panel*

### Patented Self-Cleaning Condenser



This product is equipped with a fine mesh filter to the front of the condenser to catch dust, and a rotating brush that moves up and down daily to remove excess buildup outward and away.

**Model : TOM-50SW(B)-N**  
**NO PLUMBING REQUIRED**



**TOMD-HB**  
 Top display dry case  
 available (optional)



**TOM-SB-SF-N**  
 Stainless steel front panel  
 available \*(optional)



**TOM-50SW-N**



**TOM-50SB-N**

### ≡ FEATURES & BENEFITS ≡

- **Self-Cleaning Condenser**  
 The accumulation of dust in the condenser can cause the failure or breakdown of refrigerators. Refrigerators run normally until they reach a certain level of accumulation. At some point, when they are over the limit, their performance drops quickly resulting in damage to, or disposal of the stored products inside. The Self-Cleaning Condenser device keeps the condenser clean and prevents system failure by automatically brushing daily.
- **Hydrocarbon refrigerants (R-290)**  
 With innovative and eco-friendly technology, Turbo Air brings you hydrocarbon refrigerators designed to meet the new standards of the EPA and DOE in 2017. Hydrocarbon refrigerants do not deplete the ozone layer and have very low contribution to global warming (ODP-0, GWP-3).
- **Modern design**  
 By integrating great contours with durable structures, our modern style product designs are user-friendly while maintaining the highest product visibility and aesthetics. Safety reinforced tempered glass front shield and side walls optimize the merchandiser's display effects of fresh salads, sandwiches, desserts and beverages. Its elegant contemporary euro design will enhance any store application. Ideal for eye-catching displays and convenient access with fast service in high traffic areas.
- **Standard back-guard improves airflow**
- **300 series stainless steel interior standard including back wall and deck pans**
- **Stainless steel solid shelves standard**
- **Perforated interior back wall & top for improved air flow**
- **Foamed with polyurethane, high-density cell insulation (CFC free)**
- **Front air intake and rear air discharge**



Model	CU./FT.	# of Bottom Shelves	HP	AMPS	Crated Weight (lbs.)	L x D x H (inches)
<b>TOM-50SW(B)-N</b>	<b>8.9</b>	<b>3</b>	<b>3/4</b>	<b>6.9</b>	<b>481</b>	<b>50<sup>3</sup>/<sub>4</sub> x 34<sup>5</sup>/<sub>8</sub> x 41<sup>1</sup>/<sub>2</sub></b>

# Horizontal Open Display Cases

Slim Line  
Glass Side Panel

## Model : TOM-50SW(B)-N

ELECTRICAL DATA	
Voltage	115/60/1
Plug Type	Ⓢ NEMA 5-15P
Full Load Amperes	6.9
Compressor HP	3/4
Refrigerant	R-290
DIMENSIONAL DATA	
Net Capacity (cu. ft.)	8.9
Ext. Length Overall (in.)	50 <sup>3</sup> / <sub>4</sub> (1289mm)
Ext. Depth Overall (in.)	34 <sup>5</sup> / <sub>8</sub> (880mm)
Ext. Height Overall (in.)	41 <sup>1</sup> / <sub>2</sub> (1054mm)
Int. Length Overall (in.)	48 <sup>3</sup> / <sub>8</sub> (1229mm)
Int. Depth Overall (in.)	24 (610mm)
Int. Height Overall (in.)	13 (330mm)
Net Weight (lbs.)	370
Gross Weight (lbs.)	481
# of Bottom Shelves	3
Shelf Size (L x D)(in.)	48 <sup>1</sup> / <sub>4</sub> x 7 (Top)
	48 <sup>1</sup> / <sub>4</sub> x 14 (Middle)
	48 <sup>1</sup> / <sub>4</sub> x 9 <sup>3</sup> / <sub>4</sub> (Low)
Power Cord Length (in.)	59 <sup>1</sup> / <sub>8</sub>

Design and specifications subject to change without notice.  
Actual shipping weight may differ due to extra packing materials for product protection.

**WARRANTY : 2 Year Parts and Labor Warranty**  
**Additional 3 Year Warranty on Compressor**

### STANDARD FEATURES :

- Anti-corrosion coated evaporator
- Simple plug-in installation
- Patented self-contained system, no plumbing required
- White and black color come standard
- Solar powered digital thermometer
- Digital electronic thermostat with defrost control
- LED interior lighting
- **Recommended operating conditions:**  
TOM models are designed to operate in an environment where temperature & humidity do not exceed 75°F and 55% respectively. Units should not be installed near HVAC vents, fans or doorways that will disrupt the air curtain and compromise the function of the cabinet. Air curtain models will run most efficiently when completely loaded with product.

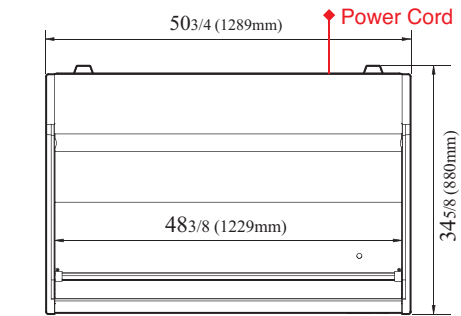
### OPTIONAL ACCESSORIES :

- 4" caster, 1/2" diameter & 13 TPI: G8F6500101 (non-brake), G8F6500201 (w/ brake)
- Top display dry cases: TOMD-50LW(B) (Low), TOMD-50HW(B) (High)
- Night cover: NCT-50-W (White), NCT-50-B (Black)  
\* Night cover option won't be able to apply on TOM-LW(B)/SW(B)-N models if TOMD-L/HW(B) dry case is already installed on top of the unit.
- Stainless steel front panel available: TOM-SW(B)-SF-N (extra lead time will apply, please call factory for more details to order)

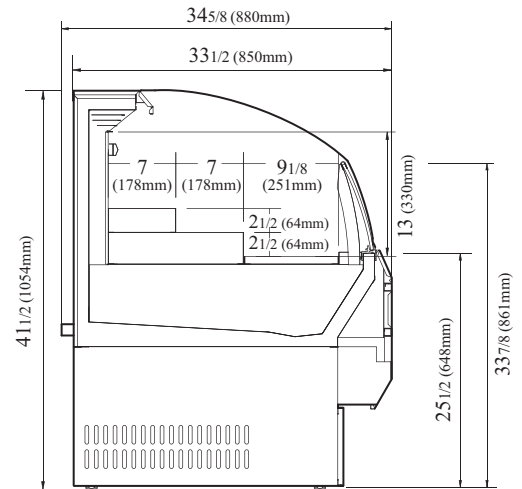
Ver.20180326

## PLAN VIEW

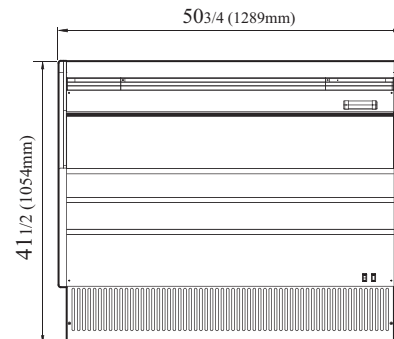
(unit : inch)



TOP VIEW



SIDE VIEW



FRONT VIEW



- Turbo Air : 800-627-0032
- GK : 800-500-3519
- Warranty : 800-381-7770
- AC : 888-900-1002

TURBO AIR REFRIGERATOR MANUFACTURER

GERMAN KNIFE

RADIANCE

GREEN WORLD

TURBO AIR AIR CONDITIONER MANUFACTURER