

Fluid System Products

The push-fit people

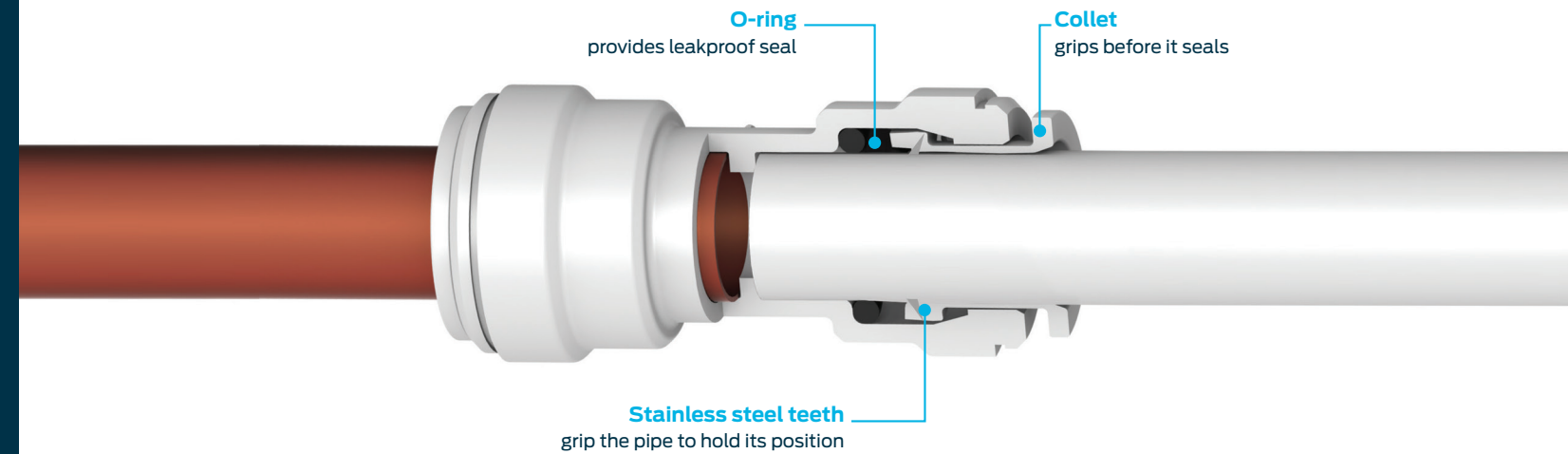
Our push-fit fittings, shut-off valves and polyethylene tubing have been designed for use with a wide range of industrial water treatment applications, involving water purification, reverse osmosis, ice makers, beverage dispensing, vending & OCS, car washing systems, Marine/R. V. and many more.

Our fluid system products are simple to use without the need for special tools. This is just one of many reasons we are known for our innovative solutions across diverse industries.

Standard push-fit fittings, shut-off valves and polyethylene tubing are produced from FDA compliant materials and are listed with NSF International Standards 51 and 61.



How to make a Push-Fit connection



To connect

Keep product clean until ready to use. Always pressure test once installed.



Step 1

Cut the tube square and remove any burrs or score marks. We recommend using a tube insert for soft or thin-walled plastic tubing.



Step 2

Push the tube into the fitting and up to the tube stop.



Step 3

Pull on the tube to check that it is secure. Test the system before use.

To disconnect



Step 1

Make sure that the system is depressurized, then push the collet square against the fitting. With the collet held in this position, the tube can be removed.