



N0622 - 600lb Nugget Ice Machine

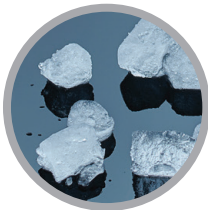
Prodigy Plus® Nugget Ice Machine

Features & Benefits

- Available in softer, Original Chewable Nugget Ice and harder, H² Nugget Ice
- Sealed, maintenance-free bearings for reduced preventative maintenance and long-lasting performance
- Stainless steel evaporator and auger for maximum durability
- AutoAlert™ indicator lights for better visibility
- Operational footprint among the industry's smallest
- Unit specific QR code for quick access to service manuals, cleaning guides and warranty history
- Front-breathing - No side clearance required for flexible placement
- Smart-Board™ advanced feature module available for additional diagnostic capabilities
- Optional Vari-Smart™ ice level control allows operators to customize ice levels
- Antimicrobial protection guards internal surfaces between cleanings
- A full range of water- and energy-saving features



Sealed, maintenance-free bearings ensure maximum reliability and contribute to a long machine life



Available in softer, Original Chewable Nugget Ice or harder, H² Nugget Ice



24 Hour Volume Production

Original Chewable Nugget

Air Cooled		Remote Cooled		Water Cooled	
70°F/21°C 50°F/10°C	Air Water	90°F/32°C 70°F/21°C	70°F/21°C 50°F/10°C	Air Water	90°F/32°C 70°F/21°C
643/292 lb/kg		530/240 lb/kg	660/299 lb/kg	579/263 lb/kg	715/325 lb/kg



24 Hour Volume Production

H² Nugget

Air Cooled		Remote Cooled		Water Cooled	
70°F/21°C 50°F/10°C	Air Water	90°F/32°C 70°F/21°C	70°F/21°C 50°F/10°C	Air Water	90°F/32°C 70°F/21°C
644/292 lb/kg		466/211 lb/kg	631/286 lb/kg	549/249 lb/kg	640/290 lb/kg



Modular Bin & Dispenser Options

Model Number*	Dimensions W" x D" x H"	Bin Application		Ship Weight lb/kg
		Capacity lb/kg	Finish	
B322S	22 x 34 x 44**	370/168	Metallic	140/64
B530P	30 x 34 x 44**	536/244	Poly	110/50
B530S	30 x 34 x 44**	536/244	Metallic	150/68
ID150	22 x 30 x 35.625	-	Stainless Steel	149/68
ID200	30 x 30 x 35.625	-	Stainless Steel	183/83
ID250	30 x 30 x 39.625	-	Stainless Steel	188/85

*Contact Scotsman for bin top requirements. **Add 6" Height for bin legs.
† Stainless steel with galvanized back & bottom.



Nugget Ice

Original Chewable Nugget
Ice Hardness Rating:
Soft = 74%



H² Nugget
Ice Hardness Rating:
Hard = 87%



Certification



Warranty

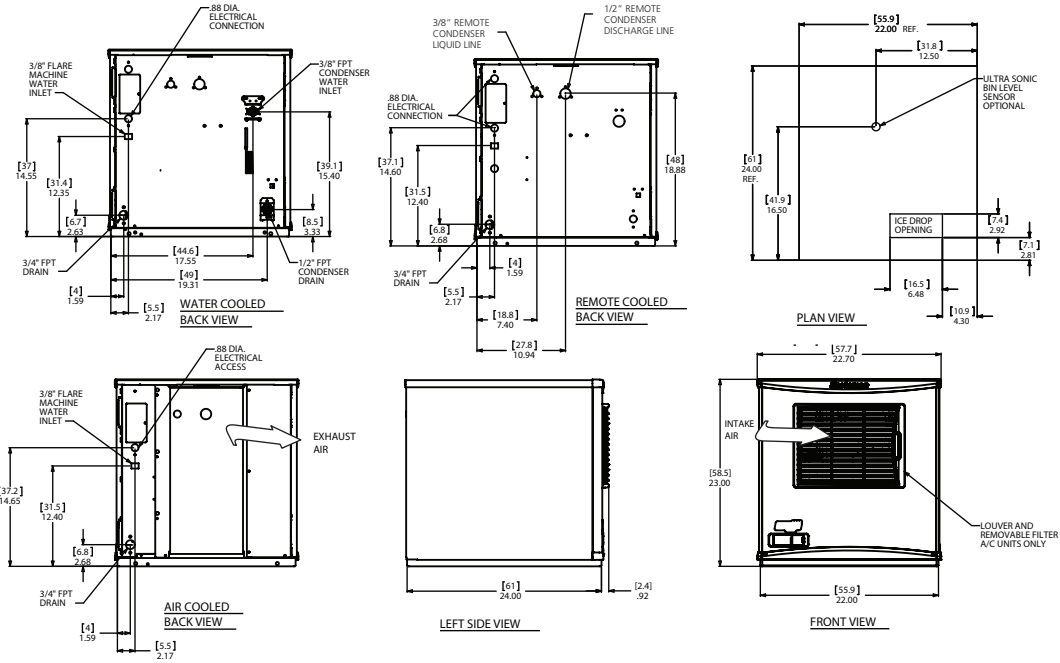
- 3 years parts and labor on all components.
- 5 years parts on the compressor.
- Warranty valid in North, South & Central America for commercial installations.
- Contact factory for warranty in other regions.
- Residential Applications: 1 year parts and labor



N0622 - 600lb Nugget Ice Machine

Prodigy Plus® Nugget Ice Machine

N0622 - 600lb Nugget Ice Machine



Specifications

Model Number	Condenser Unit	Basic Electrical Volts/Hz/Phase	Max. Fuse Size or HACR Circuit Breaker (amps)	Circuit Wires	Min. Circuit Ampacity	Energy Consumption kWh/100 lb (45.4 kg) 90°F(32°C)/70°F(21°C)	Water Usage Gallons/100 lb (liters/45.4 kg)		
							Potable 90°F(32°C)/70°F(21°C)	Condenser 90°F(32°C)/70°F(21°C)	
Nugget Type: Soft or Hard									
soft	NS0622A-1	Air	115/60/1	25	2	18.3	5.83	12.0/45.5	-
	NS0622R-1	Remote	115/60/1	25	2	19.4	4.95	12.0/45.5	-
	NS0622W-1	Water	115/60/1	25	2	16.7	5.03	12.0/45.5	114/432.1
	NS0622A-32	Air	208-230/60/1	15	2	9.8	5.83	12.0/45.5	-
hard	NH0622A-1	Air	115/60/1	25	2	18.3	6.48	12.0/45.5	-
	NH0622R-1	Remote	115/60/1	25	2	19.4	5.09	12.0/45.5	120/454.8
	NH0622W-1	Water	115/60/1	25	2	16.7	5.05	12.0/45.5	-
	NH0622A-32	Air	208-230/60/1	15	2	9.8	6.48	12.0/45.5	-



All Models

Dimensions (W x D x H):	
Unit:	22.9" x 24" x 23" (58.2 x 61.0 x 58.4 cm)
Shipping Carton:	25.5" x 27.5" x 28.5" (64.8 x 69.9 x 72.4 cm)

Shipping Weight: 180 lb / 82 kg BTUs per hour: 7,100

Refrigerant: R-404A



Accessories

Model Number	Description
KVS	Vari-Smart™ Ice Level Control - Program ice bin levels to match ice needs.
KSBU	Smart-Board™ Advanced Control - Use additional operational data for fast diagnosis.
KSBU-N	Smart-Board™ Advanced Control with Network - Network capable.
ERC111-1	Remote condenser for N0622R, 115V/60/1 -
BRTE10	10ft (3.0 m) line set, brazing required
BRTE25	25ft (7.6 m) line set, brazing required
BRTE40	40ft (12.2 m) line set, brazing required
BRTE75	75ft (22.9 m) line set, brazing required
KPAS	Prodigy Advanced Sustainability Kit - Includes KVS and KSBU - N

Scotsman recommends all ice machines have water filtration. See Scotsman water filter specification sheet for details.



Operating Requirements

	Minimum	Maximum
Air Temperatures	50°F (10°C)	100°F (38°C)
Water Temperatures	40°F (4.4°C)	100°F (38°C)
Remote Cond. Temps	-20°F (-29°C)	120°F (49°C)
Water Pressures	20 PSIG (1.4 bar)	80 PSIG (5.5 bar)
Electrical Voltage	-5%	+10%

Specifications and design are subject to change without notice.