

XpressChef™

Project #: _____

Item #: _____



High Speed Combination Oven XpressChef™ 2c Series

Combines cooking energies for superior baking results **FAST!**

- 2700W Convection enhances toasting and browning
- 95°– 250°C (200°– 475°F) temperature range
- 1000, 1400, or 1900W top antenna feed microwave system heats quickly, reduces cooking time
- Flexible cooking platform. Use any combination of convection and microwave

Simplifies cooking

- **Ventless Options:** "V" models feature built-in catalytic converter for ventless operation
- Stackable without a kit, to increase throughput and save valuable counter space
- 34 liter (1.2 cubic ft.) oven capacity easily accommodates a 30cm (12") pizza

Multi-language universal operation, with programming flexibility

- Oven interface and programming software support 20 languages
- Smart USB connectivity standard
- Compatible with ACP Programming Application
- Stores up to 100 programmable menu items

Cuts Costs

- Uses less energy than a conventional oven
- Eliminates need for pre-cooking and holding
- Uses quarter-size metal trays, pans and screens

Easy to Use and Maintain

- Stainless steel exterior and interior
- Door opens 90°+ for full access to the oven cavity

Optional Accessories

- Oven paddle (PA10)
- Magnetic air filter (AF10)
- Panini grill plate (JR10)
- Pizza Stone (ST10C)
- Drip Tray/Griddle (DR10)
- Non-stick baskets (TB10/S, SB10/S, MB10/S)
- Non-stick cavity liners (TL12)
- Oven floor liner (OV10)
- Stainless cart/equipment stands: (CA24, CA30)
- Oven Cleaner & Shield (CL10*, SH10*)
- Replacement oven rack (RA14)

Service

All products are backed by the ACP, Inc.
24/7 ComServ Support Center



Warranty

Warranty Certificate for this product can be found on the ACP, Inc. website at www.acpsolutions.com/warranty



Safety and Sanitation

This ACP, Inc. product meets and exceeds safety and sanitation standards set for commercial microwave ovens by UL, ETL, NSF, CSA, FDA., CE, and National Institute of Metrology, Quality and Technology (INMETRO).



Market Regions: North & South America

XpressChef™ 2c Series | Heavy Volume
This category of high speed oven is ideal for...

Applications

- Cafés
- Bakeries
- Wine bars
- Pubs
- Supermarkets
- Convenience stores
- Country clubs
- Kiosks

Throughput potential by oven wattage (Qty/hour)

Food item	1000W	1400W	1900W
Lava Cake	16	36	36
Chicken Pot Pie	14	15	19
Biscuits (6)	14	14	14
Scones	12	16	18
Baked Brie	13	14	16
Artichoke Dip	23	25	27
30cm (12") Pizza	10	12	15
Large Baked Potato	8	9	11

Location of Oven(s)

- Kitchen shelf
- Kitchen counter top, single or stacked
- Equipment stand, single or stacked

All ACP, Inc. commercial ovens are supported by our Culinary Center. Do not hesitate to contact us for any questions regarding food preparation, menu development and cooking times: testkitchen@acpsolutions.com



For other market regions, please see product literature online

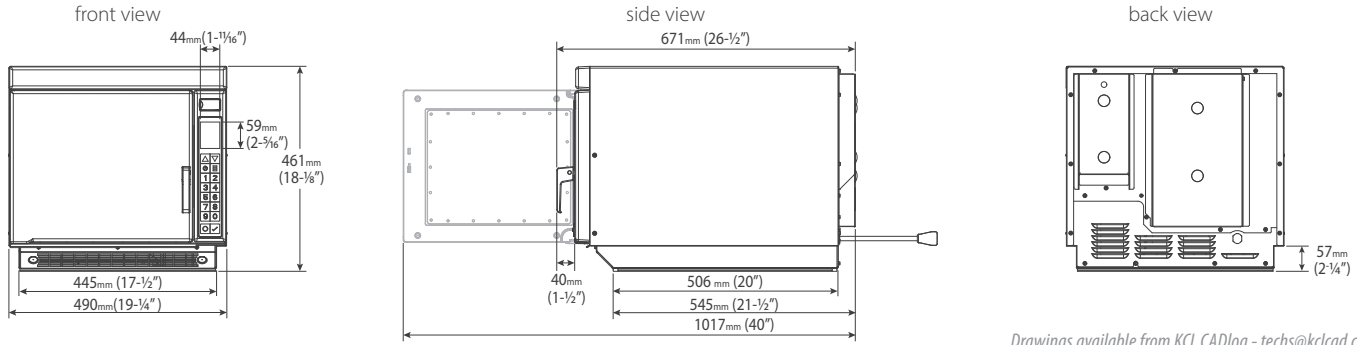
*Only shipped in U.S.A.



© 2020 ACP, Inc.
Cedar Rapids, Iowa 52404

XpressChef™ 2c Series | High Speed Combination Oven

North & South America



Drawings available from KCL CADlog - techs@kclcad.com

Dimensions

Exterior	H 461 (18 1/8")	W 490 (19 1/4")	D† 671 (26 1/2")
Cavity	H 267 (10 1/2")	W 330 (13")	D 381 (15")
Usable Cavity Space	34 liter (1.2 cubic ft.)		
Door Depth	1017 (40"), 90°+ door open		
Installation Clearance	Top: 102 (4")	Sides: 25 (1")	Back: None
Shipping Carton	H 546 (21 1/2")	W 540 (21 1/4")	D 756 (29 3/4")
Weight			
Model Type	Product Weight	Ship weight (approx.)	
With catalytic converter	51 kg. (112 lbs)	53 kg. (116 lbs)	
Without catalytic converter	50 kg. (111 lbs)	52 kg. (115 lbs)	

Features

Configuration	Countertop
Stackable	Yes, without kit
Display	71 (2.8") Color LCD
USB Port	Yes
Internet Connectivity	No
Control System	Touchpad
Programmable Control	Yes, 10 pads
Braille	Overlay available
Settings Programmable	100
Temperature Range	95°– 250°C (200°– 475°F)
Microwave Distribution	Rotating antennas, top
Power Levels	11
Defrost	Yes, microwave only, power level 2
Time Entry Option	Yes
Stage Cooking	Yes, 4 stages
Air Filter	Non-removable with cleaning reminder**
Rack	2 positions, 1 removable rack
Door Handle	Lift & Pull
Exterior Finish	Stainless steel
Interior Finish	Stainless steel

ACP, Inc. requires installing a type D circuit breaker for all high-speed oven installations.

Measurements are millimeters. Measurements in () are US Standard

* IEC 60705 Tested

** Removable magnetic air filter accessory available (#AF10)

† Includes handle

‡ Catalytic convertor filters grease and odors from the air. This product conforms to the Ventless Operation Recommendations set forth by NFPA96 using EPA202 test method

Electrical Configuration

Region	Model#/ UPC	Auto. Voltage Sensor	Max. Cooking Time	Catalytic Converter	Power Consumption	Power Output		Power Source	Plug Configuration	Cord Length	Frequency	Magnetron
						Microwave*	Convection					
North America single phase	JET14 728028244656	Yes	20:00	No	3200W, 16A	1400W*	2700W	208/240V, 60Hz, 20A, single phase	NEMA 6-20	1.5m (5 ft.)	2450MHz	2
North America single phase	JET14V 728028244687	Yes	20:00	Yes‡	3200W, 16A	1400W*	2700W	208/240V, 60Hz, 20A, single phase	NEMA 6-20	1.5m (5 ft.)	2450MHz	2
North America single phase	JET19 728028244694	Yes	16:00	No	5300W, 26A	1900W*	2700W	208/240V, 60Hz, 30A, single phase	NEMA 6-30	1.5m (5 ft.)	2450MHz	2
North America single phase	JET19V 728028244700	Yes	16:00	Yes‡	5300W, 26A	1900W*	2700W	208/240V, 60Hz, 30A, single phase	NEMA 6-30	1.5m (5 ft.)	2450MHz	2
Latin America single phase	JET10 728028470598	No	20:00	No	3200W, 15A	1000W*	2700W	220V, 60Hz, 15A, single phase	NEMA 5-15P	1.5m (5 ft.)	2450MHz	1
Latin America single phase	JET10V 728028470604	No	20:00	Yes‡	3200W, 15A	1000W*	2700W	220V, 60Hz, 15A, single phase	NEMA 5-15P	1.5m (5 ft.)	2450MHz	1
Brazil single phase	JET14B 728028377002	No	20:00	No	3200W, 15A	1400W*	2700W	220V, 60Hz, 15A, single phase	TYPE YP-05 NBR 14136	1.5m (5 ft.)	2450MHz	2
Peru single phase	JET14P 728028422986	No	20:00	No	3200W, 15A	1400W*	2700W	220V, 60Hz, 15A, single phase	NEMA 5-15P	1.5m (5 ft.)	2450MHz	2

Specification #:

AIA File #:



225 49th Ave. Dr. SW, Cedar Rapids, IA 52404 U.S.A.
800-233-2366 • 319-368-8120 • Fax: 319-368-8198
www.acpsolutions.com

Part No. 20271501

Updated 12/16/2019

© 2020 ACP, Inc., Cedar Rapids, Iowa 52404

an Ali Group Company



The Spirit of Excellence