

NON-INSULATED EXTRUDED SIDEWALL UTILITY CABINET MODEL 150-1840D

FEATURES AND BENEFITS:

- Non-insulated all purpose cabinet for transport and storage. Load with plastic food boxes filled with product to create your own food file.
- Same size top and base extend past sidewalls to act as natural bumpers for protection. Extruded frame fully welded.
- Body constructed of non-corrosive, Hi-Tensile aluminum for strength and ease of mobility.
- Reinforced, full length door swings 270° and can be latched to the cabinet side for convenience. Card clip included.
- Gravity type latch secures door during transport.
- Interlocking extruded sidewalls hold 18" x 26" pans and plastic food boxes on 1-1/2" centers. Easy to clean.
- Interior pan stops on door allow proper air flow.
- Heavy duty 5" swivel casters, two with brakes. Provides mobility when fully loaded.



150-1840D



ACCESSORIES and OPTIONS

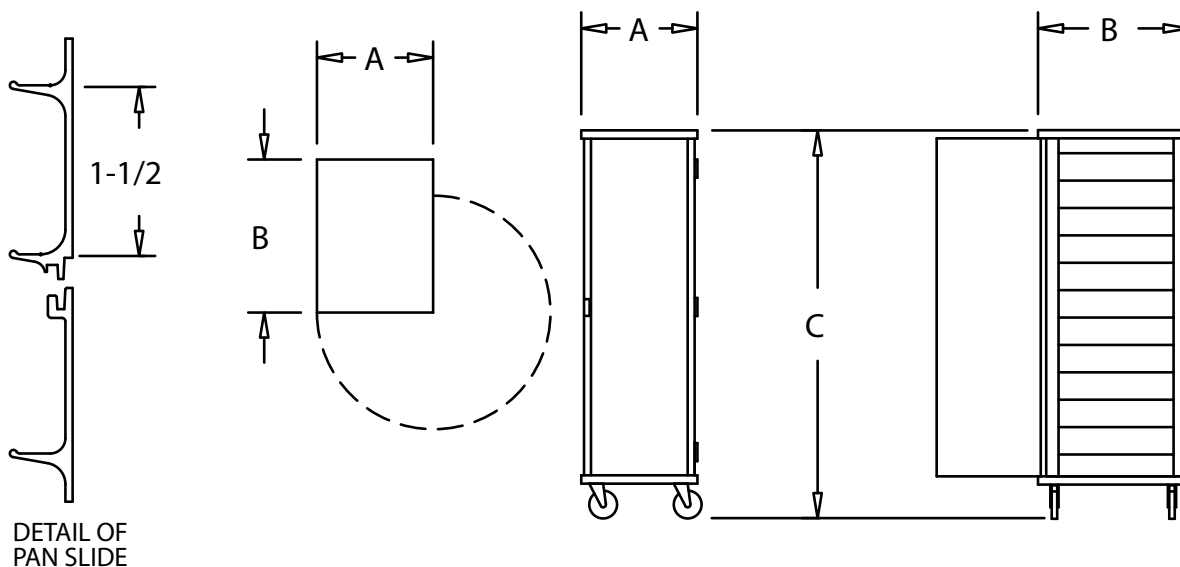
(Available at extra cost):

- Lock Hasp
- Various Caster Options
- Corner Bumpers
- Perimeter Bumper
- Floor Lock (for use with 5" casters)
- Plexiglas Door
- Push Handle
- Bail Handle Kit
- Left-Hand Hinged Door
- Kold Keepers

See page A-20 for accessory details.



150 Series



CRES COR MODEL NO.	PAN			DIM "A"	DIM "B"	DIM "C"	INSIDE DIMENSIONS				WEIGHT ACT.
	CAP	SIZE		WIDTH	DEPTH	HEIGHT	WIDTH	DEPTH	HEIGHT		
150-1840D	40	18 x 26	IN	20-7/8	27-1/2	69-3/4	18-1/16	26	61-1/2	LBS	125
		460 x 660	MM	530	700	1775	460	660	1565	KG	48

When ordering bumpers, add 2" to overall dimensions.

ALL ALUMINUM CONSTRUCTION IS RIVETED, WELDED AND FINISHED.



Gold indicates our Best Cabinet with the best warranty in the industry. 3-Year Parts / 1-Year Labor.

CABINET:

- Posts: Extruded channels, 7/8 x 2-1/4 x .102, welded to top and base, form a solid frame.
- Sides: Interlocking extruded 6" panels, smooth outer sides.
- Back panel: Fitted into posts, riveted to top and reinforced.
- Tie rod: Applied at front.
- Top: One piece .100 aluminum.

BASE:

- One piece construction, .190 aluminum.
- Casters: 5" dia., swivel, modulus tires, 1-1/4 wide, load cap. 250 lbs. each, temp. range -45°/+180°F. Delrin bearings. Front casters equipped with brakes.

DOOR:

- Panel: Formed .100 aluminum.
- Reinforcement: 1/4 x 1-1/2 extruded bars riveted horizontally to top, center and bottom.
- Latch: Gravity type, nickel plated steel.
- Swings 270° on 3 butt hinges, riveted to posts and door.
- Pan stop channel.

PAN SLIDES:

- Extruded interlocking side walls act as pan slides on 1-1/2" centers.

SHORT FORM SPECIFICATIONS

Cres Cor Utility Cabinet Model 150-1840D. Formed and welded .100 aluminum top, .190 aluminum base. Interlocking extruded aluminum sidewalls for (40) 18" x 26" pans and plastic food boxes on 1-1/2" centers. Formed .100 aluminum reinforced door. 5" swivel modulus casters, Delrin bearings. Load capacity 250 lbs. each. 3-Year Parts / 1-Year Labor warranty. Provide the following accessories: _____ . NSF listed.



5925 Heisley Road • Mentor, OH 44060-1833
Phone: 877/CRESCOR • Fax: 440/350-7267
www.crescor.com

© Crescent Metal Products, Inc. 2011 All rights reserved.

In line with its policy to continually improve its products, CRES COR reserves the right to change materials and specifications without notice.

Litho in U.S.A.