

INSULATED STAINLESS STEEL STACKED HOT CABINETS MODEL H-339-214C

FEATURES AND BENEFITS:

- Stacked heated cabinets have two separate compartments and controls for flexibility in hot holding needs.
- Fully insulated cabinets keep prepared foods at serving temperatures.
- Powerful, yet efficient, 1800 Watt heating system maintains the right temperature to properly hold products. Heats up to 200°F. (93°C.).
- One cord powers both cabinets, eliminating the need for extra outlets.
- Internal frame in body and doors maintains structural rigidity.
- Safety-conscious anti-microbial latches protect against spreading germs.
- Stainless steel construction throughout for ease of cleaning. One piece extended base protects cabinet body.
- Insulated field reversible doors for flexibility. Standard with right hand hinging; left hand hinging available upon request.
- Magnetic latches for “easy open”; twist-lock catch secures doors during transport. Latches and hinges mounted inboard.
- Removable wire pan supports for easy cleaning hold 18" x 26" pans and 12" x 20" pans on 2-3/4" centers.
- Pan stops on inside of doors and back allow for proper air flow.
- Convenient lift handles fold flat against sides of cabinet.
- Heavy duty 5" swivel casters, two with brakes. Provides mobility when fully loaded.



H-339-214C



NSF/ANSI 4

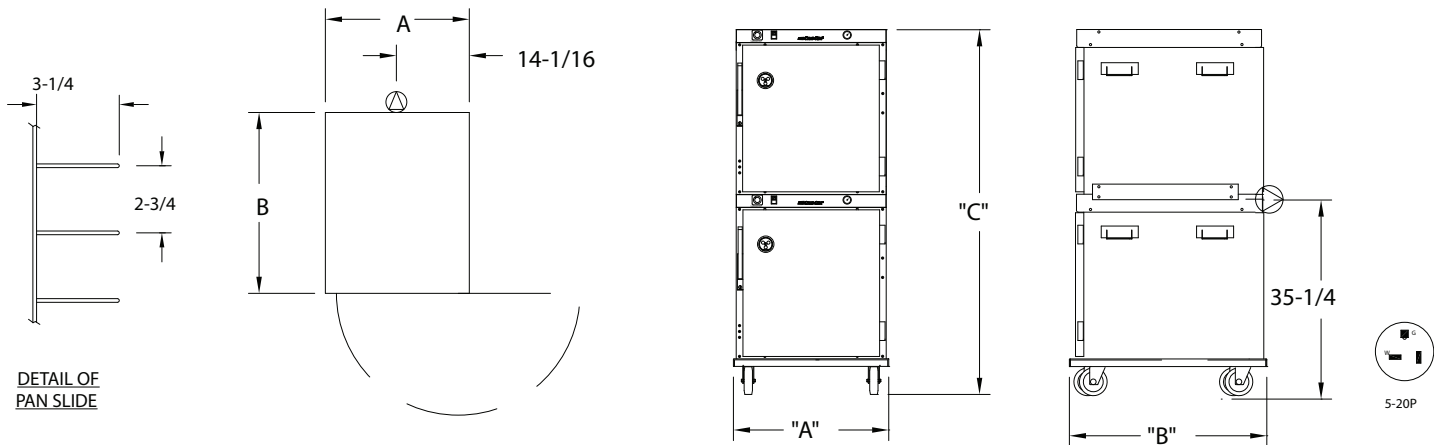


ACCESSORIES and OPTIONS (Available at extra cost):

- Key Lock Handles
- Corner Bumpers
- Perimeter Bumper
- Door Window
- Various Caster Options
- Digital Thermometer
- 240 Volt Service

See page B-20 for accessory details.

H-339-214C



CRES COR MODEL NO.	PAN			DIM "A" WIDTH	DIM "B" DEPTH	DIM "C" HEIGHT	INSIDE DIMENSIONS			WEIGHT ACT.	
	CAP	SIZE					WIDTH	DEPTH	HEIGHT		
H-339-214C	16	18 x 26	IN	23-7/8	32-1/4	67-1/8	18-3/16	26-1/4	24-7/8	LBS	390
		460 x 660	MM	606	820	1705	465	670	635	KG	177
	16	12 x 20	IN								
		305 x 510	MM								

When ordering bumpers, add 2" to overall dimensions.

STACKED CABINETS ARE ASSEMBLED AND SHIPPED IN ONE CARTON.

CABINETS:

- Bodies: 22 ga. stainless steel compartments; stacked on top of each other fastened together with tie plates, .063 extruded aluminum.
- Reinforcements: Internal framework of channels, 1 x 3/4 x .125.
- Insulation: Fiberglass, thermal conductivity (K factor) is .23 at 75°F. 1-1/2" in walls, 1" in doors, top and bottom.
- Pan stop channels: Mounted to inside rear of each compartment and door.
- Bail Handles (8): Four mounted each side; top & bottom.

BASE:

- One piece construction, .190 aluminum.
- Casters: 5" dia. swivel, modulus tires, 1-1/4" wide, load cap. 250 lbs. each, temp. range -45°/+180°F, Delrin bearings. Front casters equipped with brakes.

DOORS:

- Field reversible.
- Formed 22 ga. stainless steel.
- Latches: Chrome plated zinc with composite handle, magnetic type; mounted inboard.
- Hinges: Heavy duty chrome plated zinc; mounted inboard.
- Gaskets: Perimeter type, silicone.
- Transport latches.
- Vents: Adjustable.

PAN SLIDES:

- Wire rack with .250 dia. wire vertically and .208 dia. wire horizontally. Nickel chrome plated steel spaced on 2-3/4" centers.

ELECTRICAL COMPARTMENTS:

- Control panels: Formed 22 ga. stainless steel; black front.
- Thermostats: Solid state, room ambient to 200°F (93°C).
- Switches: Lighted ON/OFF rocker type.
- Power cord: Permanent, 6 ft., 12/3 ga. with right angle plug; single cord powers both top and bottom cabinet.
- Heaters (3 each compartment): 300 Watts each.
- Thermometers.

POWER REQUIREMENTS:

- 1800 Watts, 120 Volts, 60 Hz., single phase, 15 Amps., 20 Amp. service.

SHORT FORM SPECIFICATIONS

Cres Cor Insulated Holding Cabinet Model H-339-214C. Inner, outer and top liners of 22 ga., stainless steel, reinforced with channel frame. Fiberglass insulation in walls 1-1/2"; door, top and bottom 1". Welded and finished .190 aluminum base. (6) 300 Watt inner wall heaters, 120 volts. Removable pan supports for (16) 18" x 26" pans or (16) 12" x 20" pans spaced on 2-3/4" centers. Four bail handles each side. 5" swivel modulus casters, Delrin bearings. Load capacity 250 lbs. each. 2-Year Parts / 1-Year Labor warranty. Provide the following accessories: _____ CSA-US, CSA-C, CSA to NSF4 listed.



5925 Heisley Road • Mentor, OH 44060-1833
 Phone: 877/CRESCOR • Fax: 440/350-7267
 www.crescor.com

© Crescent Metal Products, Inc. 2015 All rights reserved.

In line with its policy to continually improve its products, CRES COR reserves the right to change materials and specifications without notice.

Litho in U.S.A.