

## INSULATED STAINLESS STEEL RADIANT HOT CABINET MODEL 750-HH-SS-DX

### FEATURES AND BENEFITS:

- Fully insulated cabinets keep prepared foods at serving temperatures.
- Powerful, yet efficient, 900 Watt heating system maintains the right temperature to properly hold products. Heats up to 200°F. (93°C.).
- Standard solid state electronic controls with large, clear, easy-to-read and operate LED digital display to ensure holding at precise food temperature.
- Internal frame in body and doors maintains structural rigidity.
- Safety-conscious anti-microbial latches protect against spreading germs.
- Stainless steel construction throughout for ease of cleaning.
- Insulated field reversible doors for flexibility. Standard with right hand hinging; left hand hinging available upon request.
- Magnetic latches for “easy open”; twist-lock catch secures doors during transport. Latches and hinges mounted inboard.
- Wire pan supports are removable for easy cleaning and hold 12" x 20" pans on 1-3/8" centers.
- Heavy duty 5" swivel casters, two with brakes, that provide mobility when fully loaded.



750-HH-SS-DX



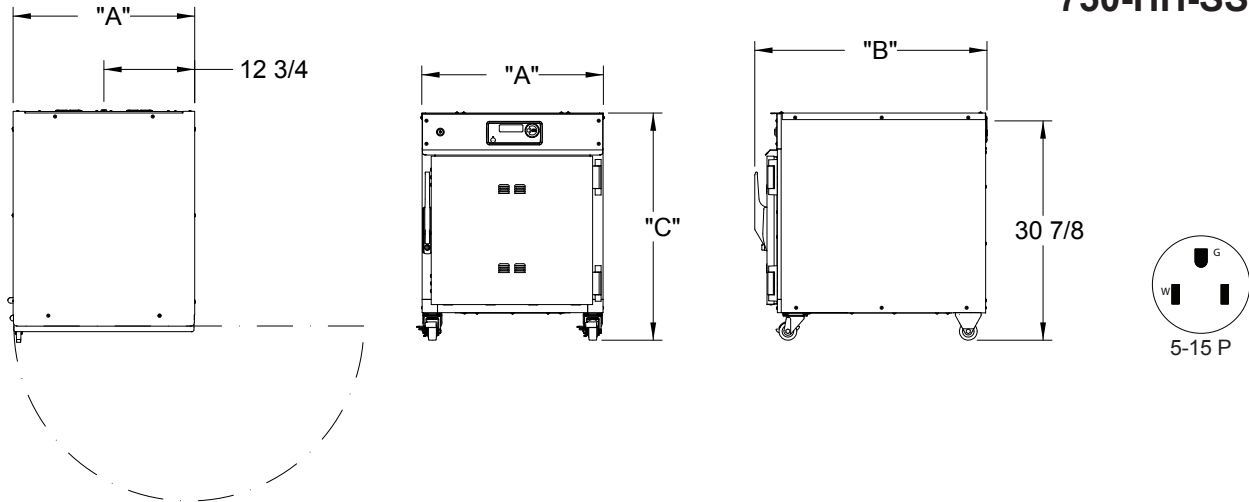
Standard solid state electronic control with large, clear, easy-to-read and operate LED digital display to ensure holding at precise food temperature

### ACCESSORIES and OPTIONS (Available at extra cost):

- Key Lock Handles
- Corner Bumpers
- Perimeter Bumper
- Door Window
- Various Caster Options
- 240 Volt Service
- Various Interior Rack Options

See page B-30 for accessory details.

# 750-HH-SS-DX



CRES COR MODEL NO.	PAN			DIM "A" WIDTH	DIM "B" DEPTH	DIM "C" HEIGHT	INSIDE DIMENSIONS				WEIGHT ACT.
	CAP	SIZE					WIDTH	DEPTH	HEIGHT		
750-HH-SS-DX	10	12 X 20 X 2-1/2	IN	25-7/16	32	32-11/16	20-31/32	26-15/16	20	LBS	149
		305 X 510 X 65	MM	646	813	830	533	684	508	KG	68
	6	12 x 20 x 4	IN								
		305 x 510 x 105	MM								
	4	12 x 20 x 6	IN								
		305 x 510 x 155	MM								

When ordering bumpers, add 2" to overall dimensions.

## CABINETS:

- Bodies: 22 ga. outer and 18 ga. inner stainless steel compartments.
- Reinforcements: Internal framework of channels, 1 x 3/4 x .125.
- Insulation: Fiberglass, thermal conductivity (K factor) is .23 BTU/ft HR °F (.04 w/mK) at 75°F. 1-1/2" in top, bottom and walls, 1" in doors.

## BASE:

- One piece construction, .060 stainless steel.
- Casters: 2-1/2" dia. swivel, modulus tires, 1-1/4" wide, load cap. 140 lbs. each, temp. range -45°/+180°F, Delrin bearings. Front casters equipped with brakes.

## DOORS:

- Field reversible.
- Formed 22 ga. stainless steel.
- Latches: Chrome plated zinc with composite handle, magnetic type; mounted inboard.
- Transport knob.
- Hinges: Heavy duty chrome plated zinc; mounted inboard.
- Gaskets: Perimeter type, silicone.
- Vents: Adjustable.

## PAN SLIDES:

- Wire rack with .312 dia. wire vertically and .25 dia. wire horizontally. Nickel chrome plated steel spaced on 1-3/8" centers.



Scan QR code to view Spec Sheet, Operating Manual, Wiring Diagram or to call Customer Service.

If you need a QR reader visit your App Store on your Smartphone or Tablet.

## HOT UNIT COMPONENTS:

- Thermostats: Solid state digital display control, room ambient to 200°F (93°C).
- Switches: ON-OFF push button type.
- Power cord: Permanent, 6 ft., 14/3 ga. with right angle plug.
- Heaters(3): 300 Watts each.
- Vent fans.

## POWER REQUIREMENTS:

- 900 Watts, 120 Volts, 60 Hz., single phase, 15 Amps., 20 Amp. service.

## SHORT FORM SPECIFICATIONS

Cres Cor Insulated Hot Stainless Steel Cabinet Model 750-HH-SS-DX. Outer liner of 22 ga., stainless steel, inner liner of 18 ga. stainless steel, reinforced with channel frame. 1-1/2" Fiberglass insulation in top, bottom and walls; 1" in door. Welded and finished. (3) 300 Watt inner wall heaters, 120 volts. Removable pan supports for 12" x 20" pans spaced on 1-3/8" centers. 2-1/2" swivel modulus casters, Delrin bearings. Load capacity 140 lbs. each. 2-Year Parts / 1-Year Labor warranty. Provide the following accessories: \_\_\_\_\_ CSA-US, CSA-C, CSA to NSF4 listed.



5925 Heisley Road • Mentor, OH 44060-1833  
Phone: 877/CRESCOR • Fax: 440/350-7267  
www.crescor.com

© Crescent Metal Products, Inc. 2017 All rights reserved.

*In line with its policy to continually improve its products, CRES COR reserves the right to change materials and specifications without notice.*

Made in America Since 1936