

## **NON-INSULATED PROOF/HOT CABINET MODEL 121-PH-UA-11D**

### **FEATURES AND BENEFITS:**

- Non-Insulated versatile proof/hot cabinet. Use as a proofer to produce quantities of uniformly raised dough or as a holding cabinet to keep prepared foods at serving temperatures.
- Powerful, yet efficient, heating system maintains the right combination of heat and humidity to properly proof or hold products.
- 2000 Watt cabinet holds foods at up to 180°F (82°C.); proofing with 960 Watts allows for temperatures of 80°F (26.5°C) to 95°F (35°C), with relative humidity of 95%.
- Body constructed of non-corrosive, Hi-Tensile aluminum for strength and ease of mobility.
- Field reversible Lexan door allows for viewing products. Perimeter door gasket minimizes heat loss. Standard with right hand hinging; left hand hinging available upon request.
- Magnetic latch secures door during transport.
- Eleven sets of chrome plated wire universal angles accommodate a large variety of pan sizes on adjustable 1-1/2" centers.
- Controls accessible without opening door; allows adjustment without interrupting process.
- Slanted control panel has easy-to-read thermometer; entire power assembly removable for cleaning and maintenance.
- Integral drip trough on front keeps traffic area dry, safer.
- Heavy duty 5" swivel casters, two with brakes. Provides mobility when fully loaded.



121-PH-UA-11D

SANITATION  
NSF/ANSI 4

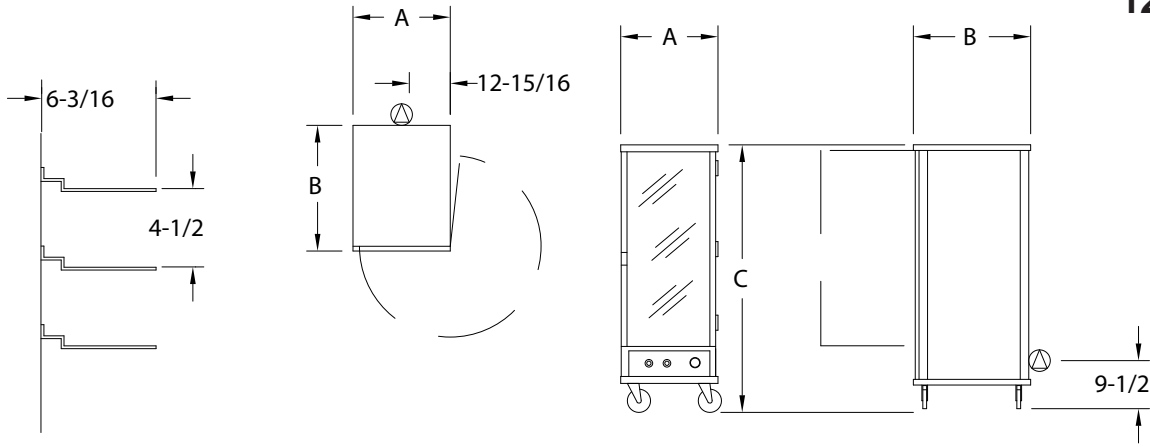
C US

### **ACCESSORIES and OPTIONS (Available at extra cost):**

- Dutch Doors
- Extra Universal Angles
- Corner Bumpers
- Side and Rear Bumper
- Various Caster Options
- Digital Thermometer
- Push Handle
- Bail Handles
- Lock Hasp
- 208 or 240 Volt Service

See page D-4 for accessory details.

# 121-PH-UA-11D



DETAIL OF  
PAN SLIDE

CRES COR MODEL NO.	PAN			DIM "A"	DIM "B"	DIM "C"	INSIDE DIMENSIONS				WEIGHT ACT.
	CAP/ANGLES	SIZE		WIDTH	DEPTH	HEIGHT	WIDTH	DEPTH	HEIGHT		
121-PH-UA-11D	11 SETS	SEE NOTE BELOW	IN	24-1/4	32	69-3/4	21-1/4	28-1/4	54-3/8	LBS	160
			MM	620	815	1775	540	718	1385	KG	73

NOTES: 1. Pan sizes 22" x 20" (560 x 510) Roast & Bake Pans, 10" x 20" (255 x 510) Roast & Bake Pans, 18" x 26" (460 x 660) Bun Pans, 14" x 18" (355 x 460) Service Trays, 12" x 20" (305 x 510) Steam Table Pans.  
Refer to Pan Size Chart at end of section.

2. When ordering bumpers, add 2" to overall dimensions.

ALL ALUMINUM CONSTRUCTION IS RIVETED, WELDED AND FINISHED.

## CABINET:

- Top: One piece .063 aluminum; riveted to sides and back.
- Side panels: Formed .063 aluminum; fastened to base and top.
- Back panel: .063 aluminum; fastened to base and top.
- Air tunnel: .063 aluminum; lift-out type, mounted on back panel.

## BASE:

- One piece construction, .125 aluminum.
- Drip trough: Formed 18 ga. 304 stainless steel mounted to front of base; removable drip pan.
- Casters: 5" dia., swivel, modulus tires, 1-1/4 wide, load cap. 250 lbs. each, temp. range -45°/+180°F. Delrin bearings. Front casters equipped with brakes.

## DOOR:

- Field reversible.
- Frame: Black powder coated extruded aluminum, 13/16 x 1-11/16; fastened together.
- Panel: 3/16 clear Lexan, fitted into door frame.
- Latch: Magnetic type with pull handle.
- Hinges (2): Chrome plated steel.
- Gasket: Perimeter type, Santoprene rubber.

## PAN SLIDES:

- Wire angles (.306 dia.) nickel chrome plated steel; mounted on lift-out posts.
- Spaced on 4-1/2" centers; adjustable on 1-1/2" centers.

## PROOF/HOT UNIT COMPONENTS:

- Removable bottom mount proof/hot unit.
- Body: Formed .063 aluminum with black control panel.
- Thermostat (holding): Mechanical, room ambient to 180°F. (82°C.).
- Thermostat (humidity): Mechanical, room ambient to 95%.
- Pilot lights.

## PROOF/HOT UNIT COMPONENTS (CONT.):

- Switches (2): Rocker type.
- Power cord: Permanent, 6 ft., 12/3 ga. with molded plug.
- Heaters (2): 960 Watts for holding.
- Blower motor.
- Thermometer.
- Water pan: 3-1/2 quart; 22 ga. 304 stainless steel with 960 Watt heater for humidity.

## POWER REQUIREMENTS:

- 2000 Watts, 120 Volts, 60 Hz., single phase, 16.7 Amps., 20 Amp. service.

## SHORT FORM SPECIFICATIONS

Cres Cor Proof/Hot Cabinet Model 121-PH-UA-11D. Formed and welded .063 aluminum top, .125 aluminum base. 11 sets wire universal angles for multiple pan sizes, adjustable spacing every 1-1/2". Field reversible Lexan door with magnetic pull latch. Removable 2000 Watt, 120 Volt power unit. Controls accessible without opening door. 5" swivel modulus casters, Delrin bearings. Load capacity 250 lbs. each. 1-Year Parts / 90-Day Labor warranty. Provide the following accessories: \_\_\_\_\_ CSA-US, CSA-C, CSA to NSF4 listed.



5925 Heisley Road • Mentor, OH 44060-1833  
Phone: 877/CRESCOR • Fax: 440/350-7267  
www.crescor.com

© Crescent Metal Products, Inc. 2011 All rights reserved.

*In line with its policy to continually improve its products, CRES COR reserves the right to change materials and specifications without notice.*

Litho in U.S.A.