

**LIGHT DUTY ANGLE LEDGE  
KNOCK DOWN UTILITY RACKS  
MODEL 275-38-1810-KDT**

**FEATURES AND BENEFITS:**

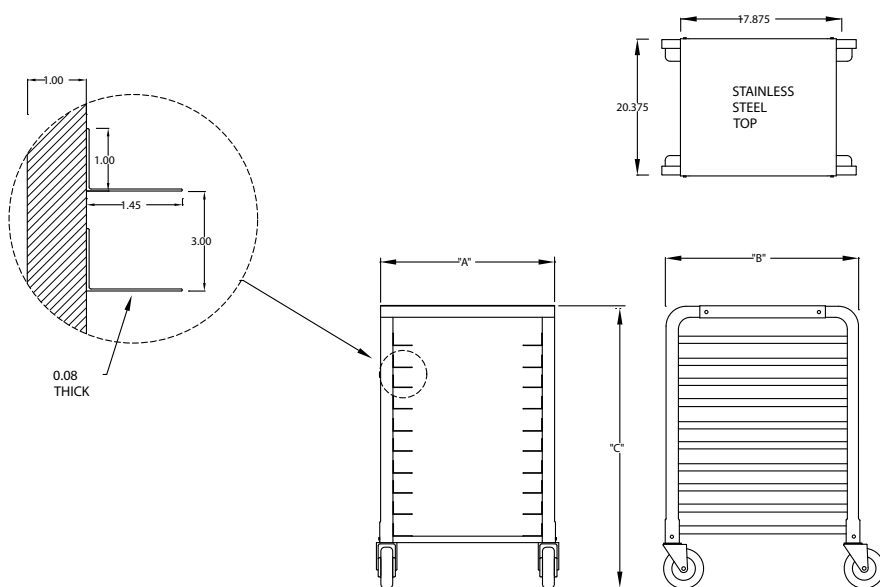
- Durable knock down utility racks for transport and storage of products on 18" x 26" pans.
- Welded framework of structural aluminum extrusions for rigidity and durability.
- Constructed of non-corrosive, Hi-Tensile aluminum for strength.
- Ten sets of extruded angle ledge pan supports, welded on 3" centers, accommodate heavy loads. Bottom of pan or tray rests on angle ledges.
- 5" swivel casters, provides mobility when fully loaded.
- Provided with stainless steel top shelf.



275-38-1810-KDT



TOP VIEW **275-38-1810-KDT**



CRES COR MODEL NO.	PAN			DIM "A"	DIM "B"	DIM "C"	INSIDE DIMENSIONS				WEIGHT ACT.
	CAP	SIZE		WIDTH	DEPTH	HEIGHT	WIDTH	DEPTH	HEIGHT		
275-38-1810KDT	10	18 x 26	IN	20-1/4	26-1/2	38-1/4	18-1/4	26	30	LBS	28
		460 x 660	MM	515	675	975	465	660	765	KG	13

ALL WELDS ARE FINISHED.

**RACK:**

- Side frames: Formed 1" square tubular aluminum.
- Top and bottom supports: 1" aluminum square tubing (shipped loose); fasten to side frames with screws provided.

**CASTERS:**

- 5" dia. swivel, 1" wide, soft rubber.

**PAN SLIDES:**

- Extruded aluminum angles, 1" x 1-7/16" x .08; welded to frames on 3" centers.
- Shelf Top: 18 ga. stainless steel; fastens to top supports.

**SHORT FORM SPECIFICATIONS**

Cres Cor Knock Down Rack Model 275-38-1810-KDT. Extruded aluminum angles welded to 1" square formed tubing. Capacity (10) 18" x 26 pans on 3" centers. 5" swivel casters and supports shipped loose. 1 Year Parts / 90-Day Labor Warranty. NSF Listed.



5925 Heisley Road • Mentor, OH 44060-1833  
 Phone: 877/CRESCOR • Fax: 440/350-7267  
 www.crescor.com  
 © Crescent Metal Products, Inc. 2011 All rights reserved.

*In line with its policy to continually improve its products, CRES COR reserves the right to change materials and specifications without notice.*