

QUIET QUEEN MARY 271-41-5927

FEATURES AND BENEFITS:

- Easily transport plated banquet meals or dishware to and from a the kitchen smoothly and quietly without drawing unnecessary attention.
- Four fixed shelves with 15-3/4" shelf clearance.
- All riveted framework of structural aluminum extrusions for rigidity and durability.
- Constructed of non-corrosive, Hi-Tensile aluminum for strength.
- Shelves have raised "marine" edges; prevents tray slide and retains spillage.
- Two models available:
 - 5 shelves with 11" clearance
 - 4 shelves with 15-3/4" clearance
- Side handles for ease of transporting.
- Standard perimeter bumper protects surfaces.
- Heavy duty 8" polyurethane casters, two swivel with brakes make maneuvering easy.



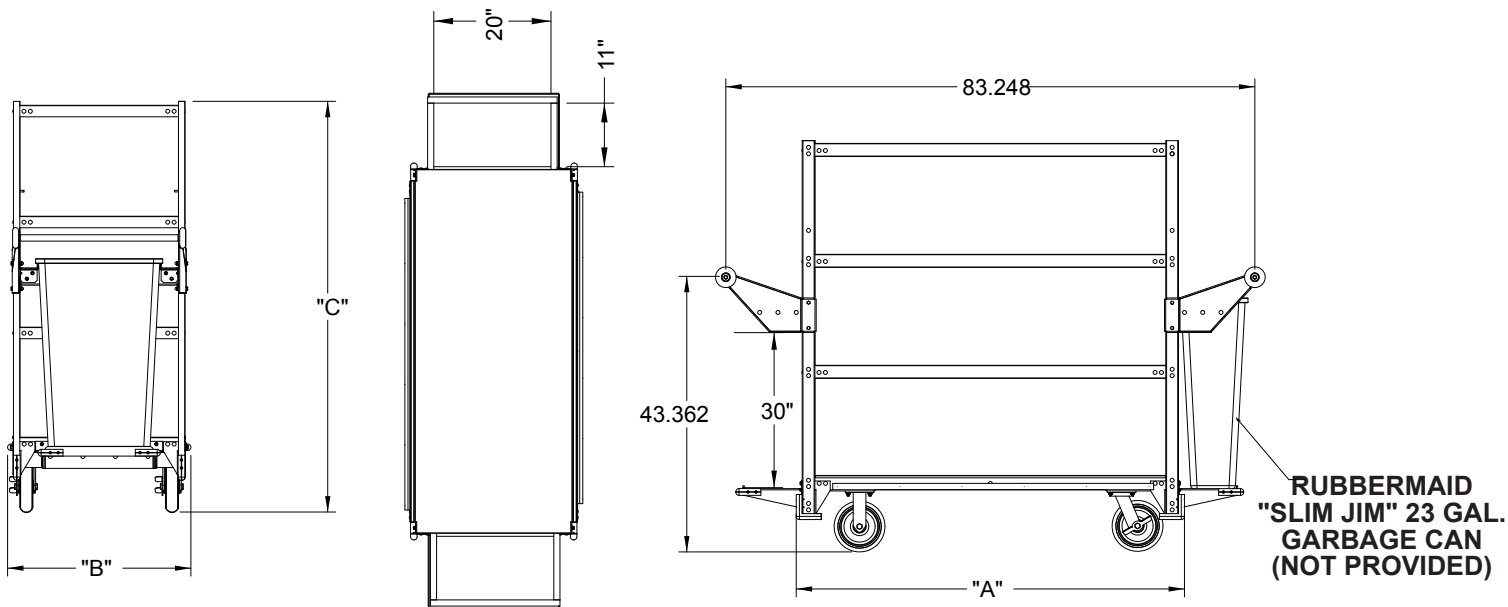
271-41-5927
(Shown with options and accessories,
waste receptacles not included)



ACCESSORIES and OPTIONS (Available at extra cost):

- Stainless Steel Shelves
- Push Handles with donut bumpers
- Receptacle Holders includes push handle

See Page G-36 for accessory details.



Drawing also indicates additional dimensions with optional push handle accessory kits and receptacle holders

CRES COR MODEL NO.	NO. OF SHELVES		DIM "A"	DIM "B"	DIM "C"	INSIDE DIMENSIONS			WEIGHT ACT.	
			WIDTH	DEPTH	HEIGHT	WIDTH	DEPTH	*HEIGHT		
271-41-5927	4	IN	61-1/8	29	64-5/8	55-1/4	25	11	LBS	156
		MM	1553	740	1641	1405	635	280	KG	71
271-51-5927	5	IN	61-1/8	29	64-5/8	55-1/4	25	15-3/4	LBS	156
		MM	1553	740	1641	1405	635	400	KG	71

NOTES: 1. For oval tray sizes: 20-3/4" x 25-1/2", 22-3/4" x 27-5/8" and 23-1/2" x 29". Two trays per shelf.

2. *Inside height dimension is between shelves.

ALL ALUMINUM CONSTRUCTION IS RIVETED, WELDED AND FINISHED.

RACK:

- Posts: Extruded channels, 1 x 2 x .125.
- Shelves: Formed one piece .063 aluminum with 1/4" marine edges on the two 62" sides; reinforced with .063 aluminum channels.
- Optional stainless steel shelves are 16 ga. type 304.
- 271-41-5927: Four shelves spaced with 15-3/4" clearance.
- Shelf corners and bottom gussets: .100 aluminum riveted to posts and shelves.
- Push handles (2): 1" dia. stainless steel tubing.
- Bolsters: Formed .190 aluminum; welded to posts, casters attached.
- Casters: 8" dia., polyurethane tires, 2" wide, load cap. 900 lbs. each, temp. range -30°/+180°F. Bearings are sealed and permanently lubricated. Two swivel casters equipped with brakes and two rigid casters.
- Bumper: 1" wide gray rubber, perimeter type.

ACCESSORY GARBAGE CAN HOLDERS:

- .190 Aluminum support brackets and bottom platform.
- Holders are riveted to push handles on each side.



Scan QR code to view Spec Sheet, Operating Manual, Wiring Diagram or to call Customer Service.

If you need a QR reader visit your App Store on your Smartphone or Tablet.



5925 Heisley Road • Mentor, OH 44060-1833
 Phone: 877/CRESCOR • Fax: 440/350-7267
 www.crescor.com

© Crescent Metal Products, Inc. 2017 All rights reserved.

SHORT FORM SPECIFICATIONS

Cres Cor Queen Mary Rack Model 271-081 & 271-082. Extruded aluminum construction reinforced with riveted gussets. () aluminum shelves with 1/4" marine edges with 11" & 15-3/4" clearance. Push handle with garbage can holder on each end. 8" polyurethane casters, 2 swivel, 2 rigid, permanently lubricated, sealed ball bearings. Load capacity 900 lbs. each, temperature -30° to +180°F. 2 Year Parts / 1 Year Labor Warranty. NSF Listed. NSF Listed.

In line with its policy to continually improve its products, CRES COR reserves the right to change materials and specifications without notice.

Made in America Since 1936