

**LIGHT DUTY ANGLE LEDGE
KNOCK DOWN UTILITY RACKS
MODEL 275-38-1810-KDT**

FEATURES AND BENEFITS:

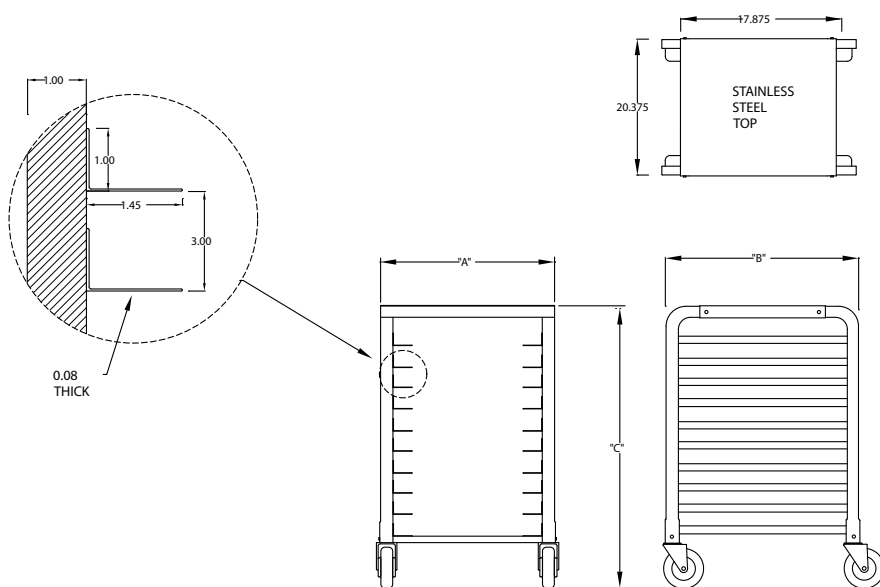
- Durable knock down utility racks for transport and storage of products on 18" x 26" pans.
- Welded framework of structural aluminum extrusions for rigidity and durability.
- Constructed of non-corrosive, Hi-Tensile aluminum for strength.
- Ten sets of extruded angle ledge pan supports, welded on 3" centers, accommodate heavy loads. Bottom of pan or tray rests on angle ledges.
- 5" swivel casters, provides mobility when fully loaded.
- Provided with stainless steel top shelf.



275-38-1810-KDT



TOP VIEW **275-38-1810-KDT**



CRES COR MODEL NO.	PAN			DIM "A"	DIM "B"	DIM "C"	INSIDE DIMENSIONS				WEIGHT ACT.
	CAP	SIZE		WIDTH	DEPTH	HEIGHT	WIDTH	DEPTH	HEIGHT		
275-38-1810KDT	10	18 x 26	IN	20-1/4	26-1/2	38-1/4	18-1/4	26	30	LBS	28
		460 x 660	MM	515	675	975	465	660	765	KG	13

ALL WELDS ARE FINISHED.

RACK:

- Side frames: Formed 1" square tubular aluminum.
- Top and bottom supports: 1" aluminum square tubing (shipped loose); fasten to side frames with screws provided.

CASTERS:

- 5" dia. swivel, 1" wide, soft rubber.

PAN SLIDES:

- Extruded aluminum angles, 1" x 1-7/16" x .08; welded to frames on 3" centers.
- Shelf Top: 18 ga. stainless steel; fastens to top supports.

SHORT FORM SPECIFICATIONS

Cres Cor Knock Down Rack Model 275-38-1810-KDT. Extruded aluminum angles welded to 1" square formed tubing. Capacity (10) 18" x 26 pans on 3" centers. 5" swivel casters and supports shipped loose. 1 Year Parts / 90-Day Labor Warranty. NSF Listed.



5925 Heisley Road • Mentor, OH 44060-1833
 Phone: 877/CRESCOR • Fax: 440/350-7267
 www.crescor.com

© Crescent Metal Products, Inc. 2011 All rights reserved.

In line with its policy to continually improve its products, CRES COR reserves the right to change materials and specifications without notice.

Litho in U.S.A.