

## Deluxe Food Warmer | DFW



**DFW-100**



**DFW-200**



**DFWT-100**



**DFWT-200**

With just plain tap water, the Deluxe Food Warmer by Antunes can be used to prepare a variety of different menu items, including pastas, breads, meats, seafood, poultry, eggs, vegetables and more.

The Deluxe Food Warmer converts plain tap water into super-heated dry steam that fully penetrates foods from all sides to keep the original textures, colors, flavors, and nutrients. The end result: food that looks fresher and tastes better.

The Deluxe Food Warmer creates steam with the simple push of a button. Because the amount of steam is consistent, it removes the guesswork and produces a uniform finish from one operator to the next.

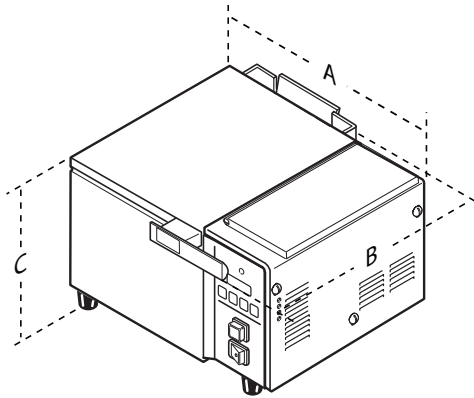
NOTE: Units with a direct water hookup require a water pressure regulator. The psi should be between 20 and 30.

### FEATURES

- Open compartment delivers steam from all sides.
- Available with half or two-thirds size pan capacity.
- Instantly turns plain tap water into super-heated dry steam.
- Fully adjustable pulse of steam.
- Prepare a variety of different menu items with a consistent finish each and every time.
- Stainless steel construction.
- Available with a self-contained water reservoir or direct water hookup.
- Hi-limit reset button.

# Deluxe Food Warmer | DFW

## Dimensions



Model & Mfg. No.	Width (A)	Depth (B)	Height (C)
DFW-100 9100101	16 5/8" (422 mm)	17 1/4" (438 mm)	8 3/4" (222 mm)
DFW-200 9100111	16 5/8" (422 mm)	17 1/4" (438 mm)	8 1/4" (210 mm)
DFWT-100 9100121	20" (508 mm)	17 1/4" (438 mm)	8 3/4" (222 mm)
DFWT-200 9100131	20" (508 mm)	17 1/4" (438 mm)	8 1/4" (210 mm)

## Shipping Dimensions

Model & Mfg. No.	Height	Width	Depth	Weight
DFW-100 9100101	12" (305 mm)	21" (533 mm)	21" (533 mm)	45 lbs. (21 kg)
DFW-200 9100111	12" (305 mm)	21" (533 mm)	21" (533 mm)	45 lbs. (21 kg)
DFWT-100 9100121	13" (330 mm)	25" (635 mm)	21" (533 mm)	55 lbs. (25 kg)
DFWT-200 9100131	12" (305 mm)	21" (533 mm)	16" (406 mm)	53 lbs. (24 kg)

## Electrical Ratings and Plug Configuration

Model & Mfg. No.	Volts	Watts	Amps	Hertz	Plug Description
------------------	-------	-------	------	-------	------------------

### Half Size Pan and Self-Contained Water Tank

DFW-100 9100101	120	1800	15	50/60	NEMA 5-15P 15 Amp., 120 Volt
--------------------	-----	------	----	-------	---------------------------------

### Half Size Pan and Direct Water Hook-Up

DFW-200 9100111	120	1800	15	50/60	NEMA 5-15P 15 Amp., 120 Volt
--------------------	-----	------	----	-------	---------------------------------

### Two-Thirds Size Pan and Self-Contained Water Tank

DFWT-100 9100121	120	1800	15	50/60	NEMA 5-15P 15 Amp., 120 Volt
---------------------	-----	------	----	-------	---------------------------------

### Two-Thirds Size Pan and Direct Water Hook-Up

DFWT-200 9100131	120	1800	15	50/60	NEMA 5-15P 15 Amp., 120 Volt
---------------------	-----	------	----	-------	---------------------------------

P/N 1020226 01/17