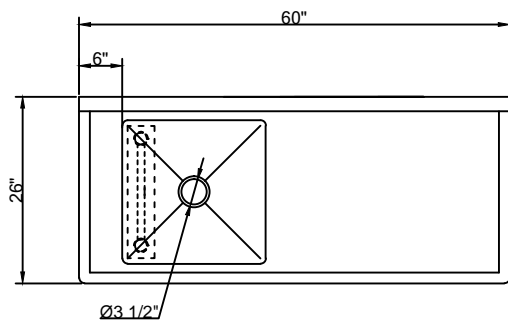
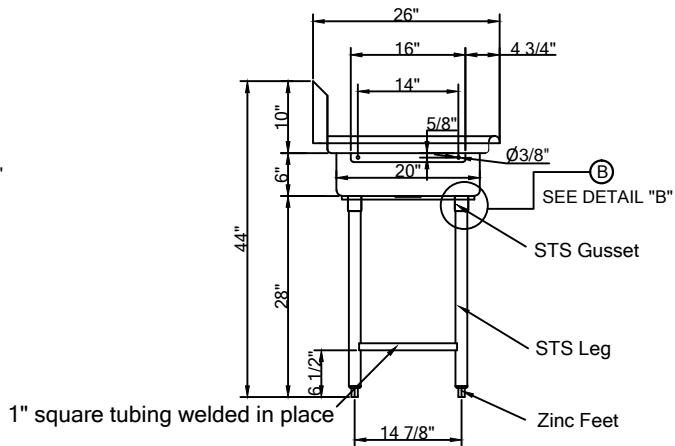


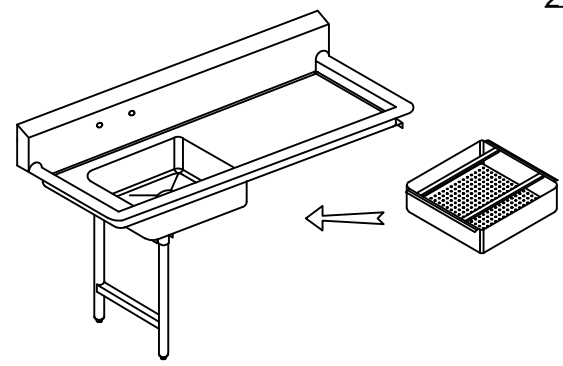
FRONT ELEVATION



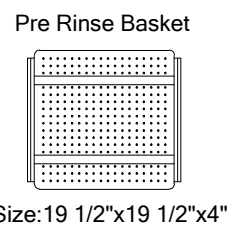
PLAN VIEW



SIDE VIEW

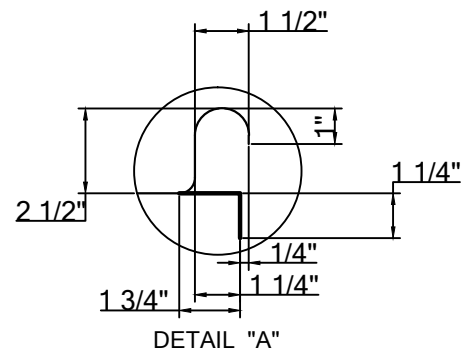


ISOMETRIC

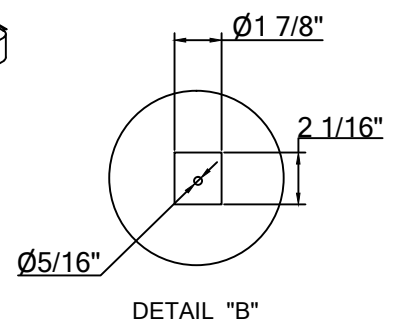


Size: 19 1/2"x19 1/2"x4"

- 16GA. 304 Stainless Steel Construction.
- STS Gusset and STS Leg and Zinc Feet.
- Wall Bracket



DETAIL "A"



DETAIL "B"

DRAWIN FOR :	MAT. TOP : 16GA. 304 S/S. BASE :	DATE	REVISIONS	<h1>Tarrison Products Ltd.</h1>
REF. NO :	REQ'D/ITEM :			
ITEM NAME : Dishtable Left	DATE : Aug / 27 / 2016			
PROD. NO. : TA-SDT6026L	BY :			
SCALE: 1/2" =1'-0"	CHECKED BY :			