

MENUMASTER[®] Commercial

Project #: _____

Item #: _____

AIA File #:

Specification #:



Microwave Powered Steamer Ovens Menumaster[®] Commercial MSO Series

Power Output

- 2100-3500 Watts of power
- Unique method of microwave energy distribution provides superior even heating throughout the entire cavity

On-demand steaming and batch cooking

- Fast cooking retains food quality and nutrition
- Waterless steaming—no plumbing, delimiting, or ventilation required
- Ample 45 liter (1.6 cubic ft.) cavity accommodates two standard 102mm (4") deep full size pans

Programming flexibility

- Smart USB connectivity standard
- Compatible with ACP Programming Application
- Stores up to 100 programmable menu items

Easy to Use

- Controls are user friendly and require minimal training
- 11 power levels and 4 cooking stages for cooking flexibility
- Multiple quantity function automatically calculates cooking times for multiple portions
- Automatic Voltage Sensor adjusts to the power supply
- See-through door and lighted interior for monitoring without opening the door
- Stackable to save valuable counter space

Easy to Maintain

- Stainless steel exterior and interior for easy cleaning and increased durability
- Magnetic front air filters for easy removal and cleaning
- Clean filter reminder to protect oven components.
- Constructed to withstand the foodservice environment
- Interior borosilicate tray is sealed and recessed to reduce plate-to-shelf edge impact and keep spills contained
- Removable borosilicate shelf is easy to clean

Optional Accessories

- Non-stick baskets (NB10/S, TB10/S, SB10/S, MB10/S, NB10)
- Oven Cleaner and Shield Protectant (CL10*, SH10*, CL10W**, PR10W**)

Service

All products are backed by the ACP, Inc.
24/7 ComServ Support Center

Warranty

Warranty Certificate for this product can be found on the ACP, Inc. website at www.acpsolutions.com/warranty

Safety and Sanitation

This ACP, Inc. product meets and exceeds safety and sanitation standards set for commercial microwave ovens by UL, ETL, NSF, CSA, FDA, ETL EU, CE, and Standards Association of Australia (SAA) Regulatory Compliance Mark (RCM) certified.



866-811-8559



Microwave Powered Steamer Ovens This category of microwave oven is ideal for...

Applications

- Schools
- Healthcare facilities
- Buffets
- Cafeterias
- Stadiums
- Casual and fine dining
- Seafood restaurants
- Country clubs
- Quick service restaurants
- Supermarkets

Through put potential by oven wattage (items per hour)

Food item	2200W	3500W
Baby Red Potatoes (4.5kg (10lbs))	3	5
Frozen Vegetables (3.5kg (8lbs))	4	6
Lobster Tails (6 tails)	30	40
Poached Cod (8 filets)	8	10
Shrimp (1kg (2lbs))	18	24

All ACP, Inc. commercial ovens are supported by our Culinary Center. Do not hesitate to contact us for any questions regarding food preparation, menu development and cooking times: testkitchen@acpsolutions.com



*Only shipped in U.S.A.

** Only shipped in Europe



© 2023 ACP, Inc.
Cedar Rapids, Iowa 52404

225 49th Ave. Dr. SW Cedar Rapids, IA 52404 U.S.A.

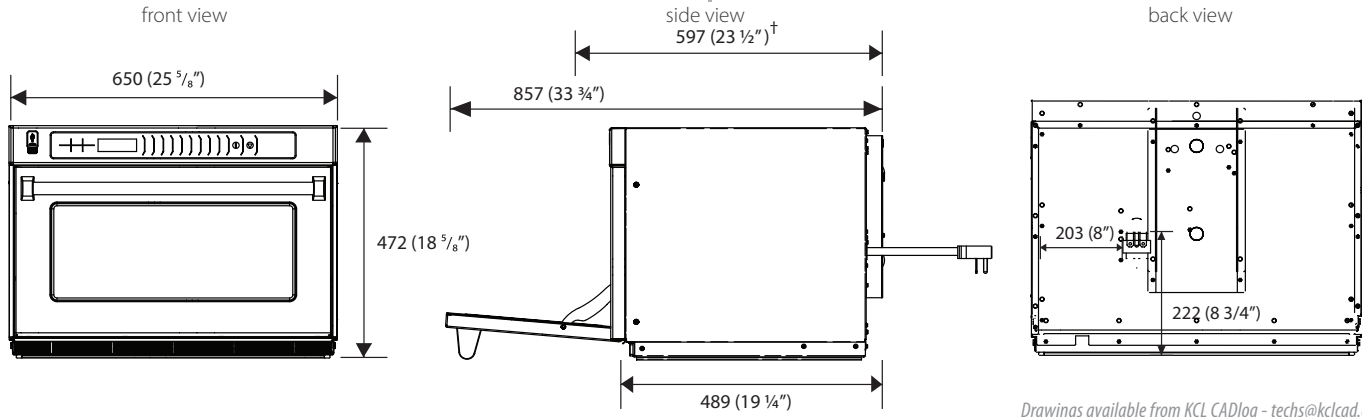
800-233-2366

319-368-8120

Fax: 319-368-8198

www.acpsolutions.com

MenuMaster® Commercial MSO Series | Microwave Powered Steamer Ovens



Drawings available from KCL CADlog - techs@kclcad.com

Dimensions			
Exterior	H 472 (18 5/8")	W 650 (25 5/8")	D† 597 (23 1/2")
Cavity	H 251 (9 7/8")	W 535 (21")	D 330 (13")
Usable Cavity Space	45 liter (1.6 cubic ft.)		
Door Depth	857 (33 3/4"), drop down door		
Installation Clearance	Top: 178 (7")	Sides: 25 (1")	Back: None
Shipping Carton	H 565 (22 1/4")	W 768 (30 1/4")	D 667 (26 1/4")
Weight			
Product Weight	Ship weight (approx.)	UPS Shippable	
66 kg (146 lbs.)	73 kg (161 lbs.)	No	

Features	
Configuration	Countertop
Stackable	Yes
Display	LCD
USB Port	Yes
Control System	Touchpad
Programmable Control	Yes, 10 pads
Braille	No
Settings Programmable	100, with optional A/B menu
Max. Cooking Time	60:00
Microwave Distribution	Top and bottom antennas
Power Levels	11
Defrost	Yes, power level 2
Time Entry Option	Yes
Dial Time Entry	Yes
Multiple Portion Setting	Yes, X2
Stage Cooking	4 stages
Interior Light	Yes, LED
Air Filter	Yes, 2 removable with cleaning reminder
Signal	End of cycle, adjustable
Door Opening	Pull down
Door Construction	Glass Window
Latch Number	2
Exterior Finish	Stainless steel
Interior Finish	Stainless steel with recessed borosilicate tray
Interior Shelf	1 shelf position; 1 removable borosilicate shelf

Measurements are millimeters. Measurements in () are US Standard

* IEC 60705 Tested

† Includes handle

EMEA = Europe, the Middle East and Africa; APAC = Asia Pacific and Oceania; LATAM = Latin America

Electrical Configuration										
Region	Model#/ UPC	Automatic Voltage Sensor	Power Consumption	Power Output (microwave)	Power Source	Plug Configuration	Cord Length	Frequency	Magnetron	
North America single phase	MSO22 728028315806	Yes	3500 W	2200W*	208/240V, 60Hz, 20A, single phase	NEMA 6-20P		1.5m (5 ft.)	2450MHz	4
North America single phase	MSO35 728028315813	Yes	5100 W	3500W*	208/240V, 60Hz, 30A, single phase	NEMA 6-30P		1.5m (5 ft.)	2450MHz	4
EMEA, APAC, LATAM single phase	MSO5211 728028315820	No	3300 W	2100W*	230-240V, 50Hz, 16A, single phase	CEE 7/7 "Schuko"		1.5m (5 ft.)	2450MHz	4
EMEA, APAC, LATAM single phase	MSO5351 728028315837	No	5400 W	3500W*	230-240 V, 50 Hz, 30 A, single phase	IEC 309		1.5m (5 ft.)	2450MHz	4
EMEA, APAC, LATAM multi phase	MSO5353 728028315943	No	5400 W	3500W*	400 V, 50 Hz, Wye, 16 A, 3 phase, 5 wire	IEC 309		2.4 m (8 ft.)	2450MHz	4
Australia multi phase	MSO5353A 728028422726	No	5400 W	3500W*	400 V, 50 Hz, Wye, 16 A, 3 phase, 5 wire	Direct Wire		1.5m (5 ft.)	2450MHz	4
Brazil single phase	MSO35B 728028377101	No	5400 W	3500W*	220V, 60Hz, 32A, single phase	IEC 309		1.5m (5 ft.)	2450MHz	4



225 49th Ave. Dr. SW, Cedar Rapids, IA 52404 U.S.A.
800-233-2366 • 319-368-8120 • Fax: 319-368-8198
www.acpsolutions.com

Part No. 20271802

Updated 2/20/2023

© 2023 ACP, Inc., Cedar Rapids, Iowa 52404

an Ali Group Company



The Spirit of Excellence

Specification #:

AIA File #: