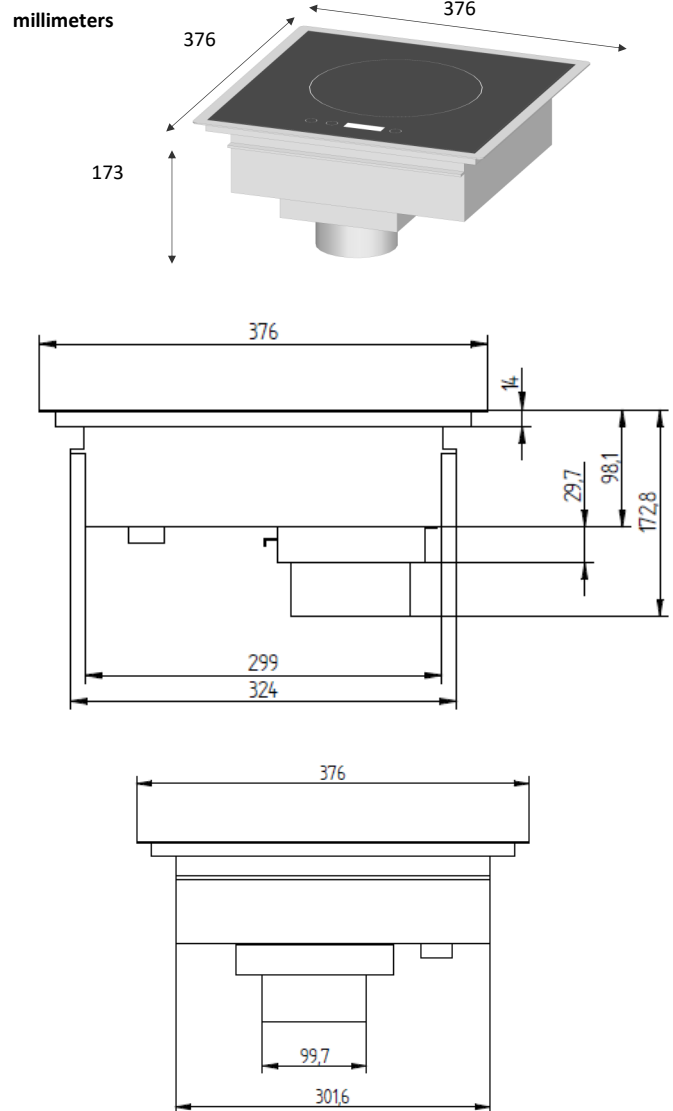


TECHNICAL FEATURES

External structure	AISI 304 stainless steel + vitroceramic
Dimensions	376x376xh173
Power	3000W
Cooking sur-	Vitroceramic glass.
Control panel	Glass touches
Amp	13 A
Functions	On/Off, manual power level setting (+/-) with 4 digits display Timer control
Power supply	230 V ; 220/240 V ; single phase AC 50 - 60 Hz
Weight	8 kg kg / 17,3 lbs.
Standards	Complies with European standards for safety of electrical appliances
Details & Options	Including a power cord and a washable filter (wash regularly).



Cut out dimensions 346x346mm

ADVENTYS
Route de Pagny - 21250 Seurre - France
www.adventys.com
sales@adventys.com
T: +33 3 80 20 46 15

Important note

Adventys reserves the right to modify specifications without notice.

