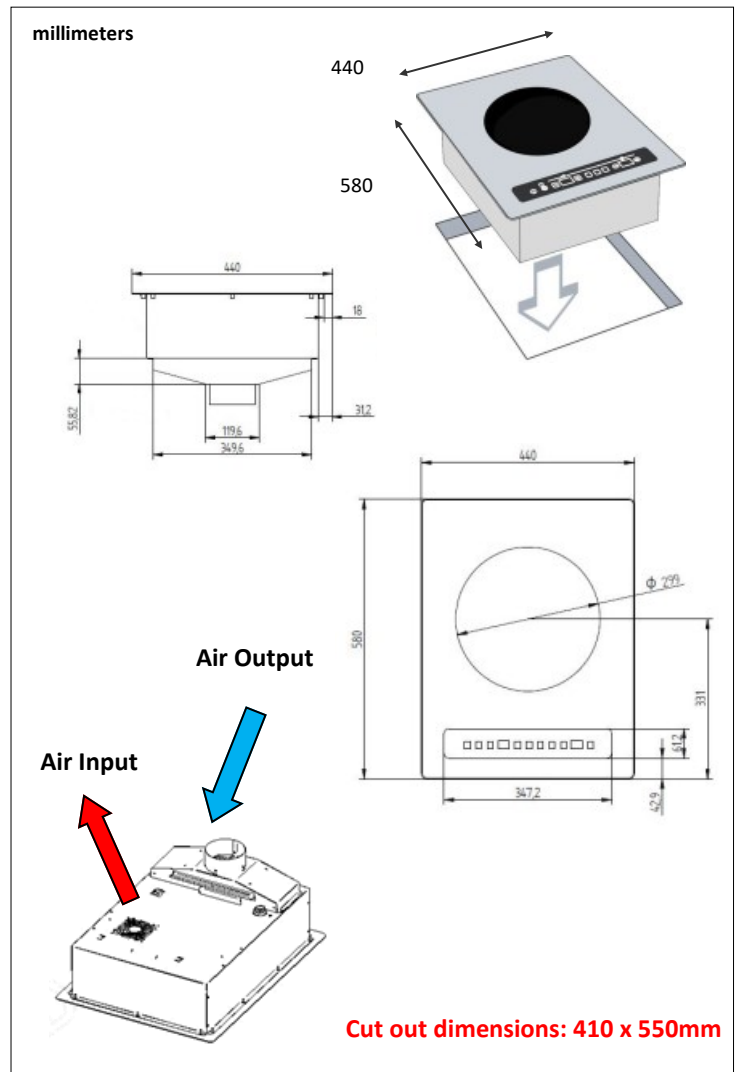


TECHNICAL FEATURES

External structure	AISI 304 stainless steel
Dimensions	580 x 440
Power	3600W
Cooking surface	Vitroc ceramic glass.
Control panel	Capacitive touches control panel
Amp	16A
Functions	On/Off, manual power setting (+/-) with 2 digits display Timer control with 2 digits display 3 presets
Power supply	230V; 208/40 V AC 50 - 60 Hz
Weight	12 kg kg / 26,5 lbs.
Standards	Complies with European standards for safety of electrical appliances
Details & Options	Including a power cord without plug and a washable filter (wash regularly). Wok pan included with unit.



ADVENTYS
Route de Pagny - 21250 Seurre - France
www.adventys.com
sales@adventys.com
T: +33 3 80 20 46 15

Important note

Adventys reserves the right to modify specifications without notice.