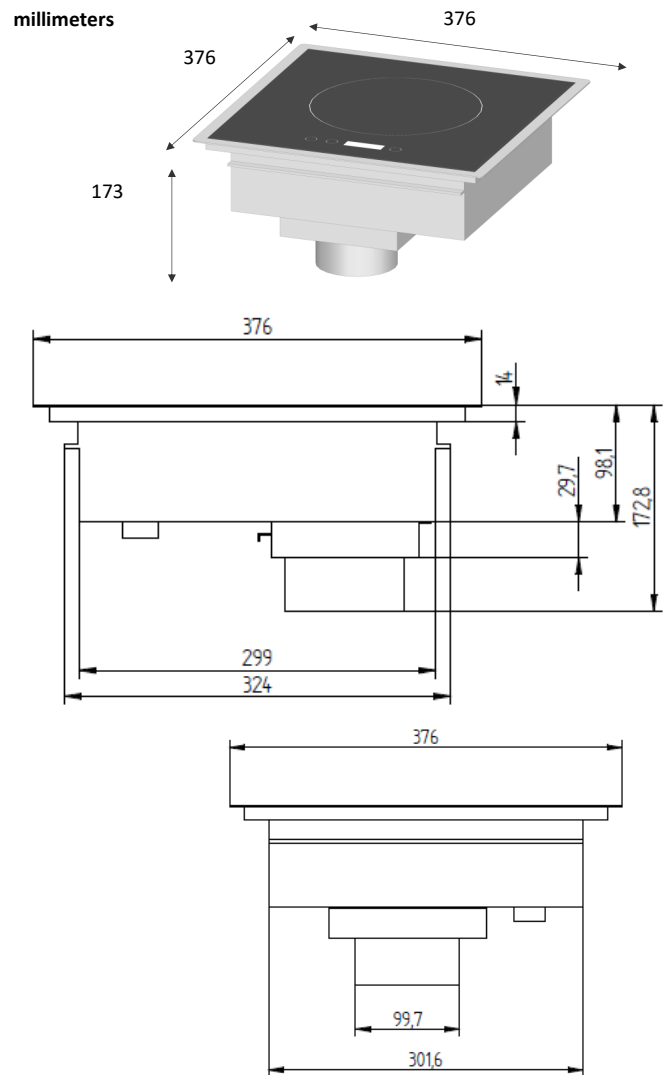
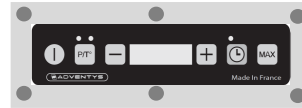
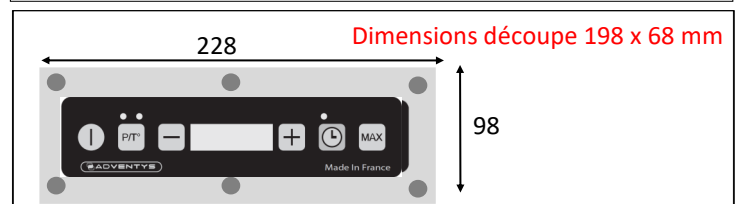


TECHNICAL FEATURES

External structure	Stainless steel casing and vitroceramic glass
Dimensions	376x376xh173
Power	3000W
Cooking surface	Vitroceramic glass.
Control panel	Capacitive touches 6 keys 4 digits Remote drop-in control panel to fix with screws.
Amp	13 A
Functions	On/Off, manual power and temperature setting (+/-) from 30 to 250°C. Timer Max function
Power supply	220-240V Single Phase 50 - 60 Hz
Weight	8 kg kg / 17,3 lbs.
Standards	Complies with European standards for safety of electrical appliances.
Details & Options	Including a power cord without plug and a washable filter (wash regularly). Including stainless steel frame to drop in client structure for flushed installation. Including 2M cable between control panel and generator



Cut out dimensions 346x346mm



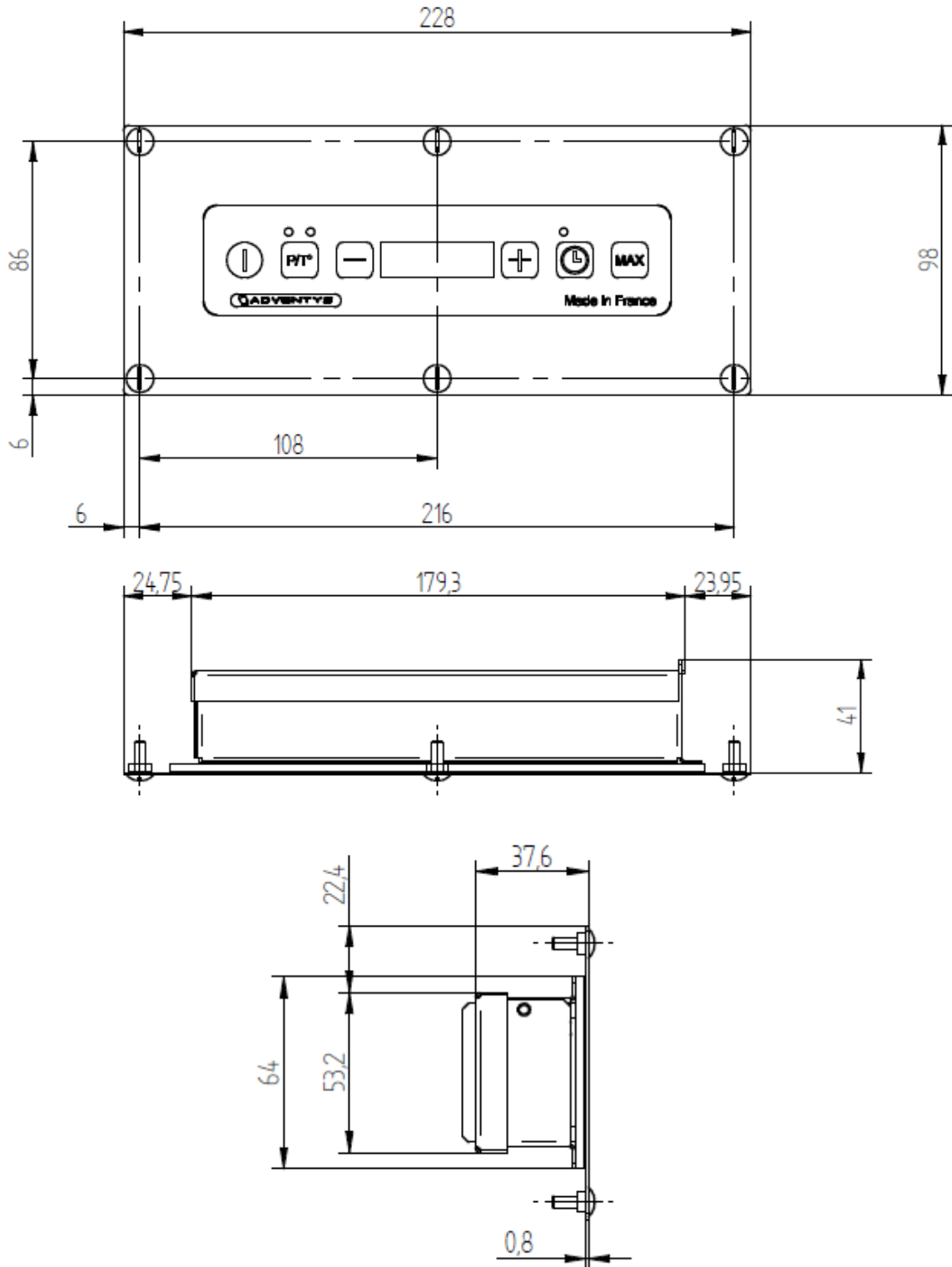
Dimensions découpe 198 x 68 mm

ADVENTYS
Route de Pagny - 21250 Seurre - France
www.adventys.com
sales@adventys.com
T: +33 3 80 20 46 15

Important note

Adventys reserves the right to modify specifications without notice.

Remote control panel



ADVENTYS
 Route de Pagny - 21250 Seurre - France
www.adventys.com
sales@adventys.com
 T: +33 3 80 20 46 15

Important note

Adventys reserves the right to modify specifications without notice.