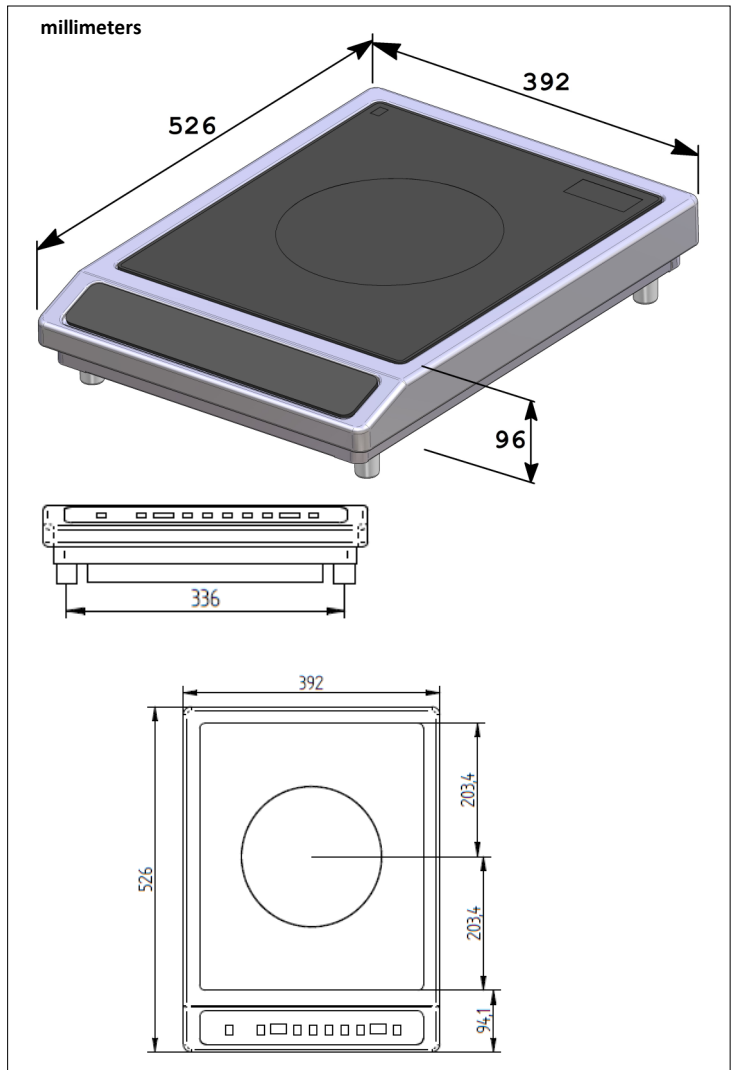


TECHNICAL FEATURES

| | |
|------------------------------|--|
| External structure | AISI 304 stainless steel |
| Dimensions | 526 x 392 x 96 |
| Power | 3000W |
| Cooking surface | Vitroc ceramic glass. |
| Control panel | Capacitive touches control panel |
| Amp | 13 A |
| Functions | <p>On/Off, manual power (watts or power level) and temperature (°C or F°) setting (+/-) with 4 digits display, 2 presets and 99 minutes timer control with 2 digits display.</p> <p>Temperature display from 30 to 140°C (250°C on 2023 version).</p> <p>Pastry application: settings of the temperature to the nearest degree.</p> <p>Quality pan control function</p> <p>Lockable panel control.</p> |
| Power supply | 230 V; 208/240 V ; AC 50 - 60 Hz |
| Weight | 7,5kg / 16,5 lbs. |
| Standards | Complies with European standards for safety of electrical appliances, |
| Details & Options | Including a 1m60 (9 ft 3 inches) power cord and a filter (wash regularly) |



ADVENTYS
Route de Pagny - 21250 Seurre - France
www.adventys.com
sales@adventys.com
T: +33 3 80 20 46 15

Important note

Adventys reserves the right to modify specifications without notice.

