



Features

Eco-Friendly Refrigerant

R290 refrigerant with a global warming potential (GWP) of 3

Cabinet Capacity

Internal area of 12.99ft³ with two (2) heavy-gauge wire shelves — adjustable in 1/2" increments using stainless steel pilasters

Easy to Clean

Aluminum interior with coved corners and finished edges, removable shelf, plus a top compartment crumb tray

Magnetic 'Thermo Rubber' Gaskets

Heavy-duty, stainless steel doors with magnetic Thermo Rubber gaskets ensure an airtight cabinet

Heavy-Duty Soft Casters

Secured to a 12-gauge steel base to ensure years of worry-free operation

Two (2) Elevated Refrigerated Rails

The two rails and the countertop opening are not designed for food pans, only food jars, and there are no pan adapters included. Each rail and the countertop opening has the capacity to hold several different combinations of 2 and 3 1/2 quart jars

High-Efficiency Refrigeration System

Forced air circulation provides a uniform temperature throughout the cabinet

Refrigerated Countertop Compartment

Keep key ingredients always within reach — holds food jars or pans with pan adapters included

High-Strength Doors

Heavy-duty, stainless steel doors assembled using high-load brackets for long-lasting durability

Stainless Steel Exterior

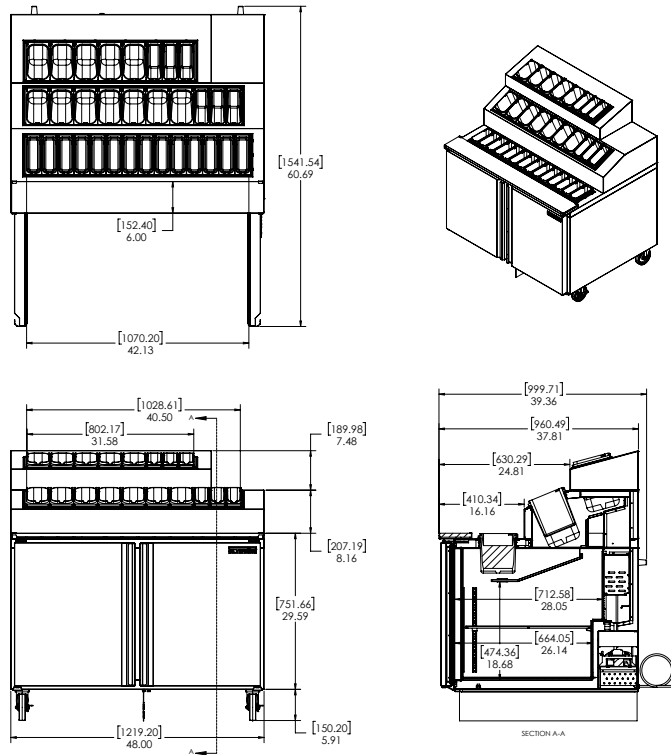
Galvanized back and bottom reduces the risk of corrosion

High-Density Insulation

Foamed-in-place, CFC-free polyurethane insulation for maximum strength, rigidity, and insulation

Cutting Board

Removable 6" polyethylene cutting board provides a large durable work surface



Technical Specifications

Electrical Requirements	115v/60hz/1ph/4.4A/NEMA 5-15P Plug
Product Dimensions	48"W x 44.79"H x 33.7"D (121.92cm x 113.77cm x 85.60cm)
Product Weight	295lbs (133.81kg)
Shipping Dimensions	53"W x 47"H x 34"D (134.62cm x 119.38cm x 86.36cm)
Shipping Weight	325lbs (147.42kg)
Shipping Cubic Dimensions	47.97ft ³ (1.36m ³)
Temperature Range	36 to 40 (2.2 to 4.4°C)
Refrigerant	R290
Charge Level	3.2oz (90.7 grams)

Insulation	Foamed-in-place, CFC-free polyurethane
Exterior Construction	Stainless steel exterior with galvanized back and bottom
Interior Construction	Aluminum interior with covered corners and finished edges
Doors	Two doors, one (1) left-hand and one (1) right-hand swing
Internal Capacity	12.99ft ³
Rail Temperature	36 to 40°F
Door Gasket	Santoprene™
Shelves	Two (2) heavy-gauge wire shelves, removeable
Casters	Four (4) 5" heavy-duty soft casters, two (2) locking
Certifications	ETL Safety, ETL Sanitation
Warranty	1-year parts and labor, 5-year compressor (part only)

Model Number	Description
SKRN48-ESUS1	Fountainette, 48", 115v/60hz/1ph, two doors, 6" cutting board, 5" heavy-duty casters (two locking), NEMA 5-15P

To learn more about **Refrigerator**, visit silverking.com