



## Features

### **Eco-Friendly Refrigerant**

R290 refrigerant with a global warming potential (GWP) of 3

### **Standard 10" Cutting Board**

Removable 10" polyethylene cutting board provides a durable work surface

### **Stainless Steel Exterior**

Galvanized back and bottom to reduce the risk of corrosion

### **High-Efficiency Refrigeration System**

Forced air circulation provides uniform temperature throughout the cabinet

### **Stainless Steel Exterior**

Galvanized back and bottom to reduce the risk of corrosion

### **Magnetic 'Thermo Rubber' Gaskets**

Heavy-duty, stainless steel door with a magnetic 'Thermo Rubber' gasket ensure an air-tight cabinet

### **High-Density Insulation**

Foamed-in-place, CFC-free polyurethane insulation for maximum strength, rigidity, and insulation

### **Refrigerated Countertop Compartments**

Hold up to twelve (12) 1/6 size pans to position key ingredients — pan adapters included

### **Large Cabinet Capacity**

Internal area of 8.3 cubic feet with four (4) heavy-gauge wire shelves — adjustable in 1/2" increments using stainless steel pilasters

### **High-Strength Doors**

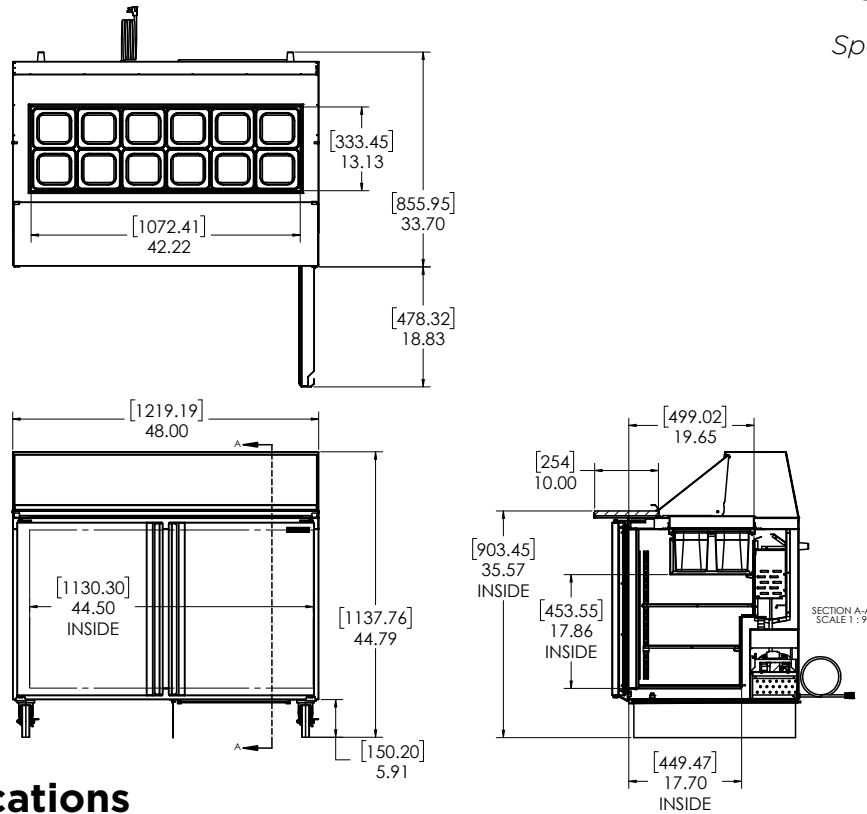
Heavy-duty, stainless steel doors are assembled using high-load brackets for long lasting durability

### **Easy to Clean**

Aluminum interior, coved corners, finished edges, removable cutting board, and top compartment crumb tray for simple cleaning

### **Heavy-Duty Soft Casters**

Secured to a 12 gauge steel base to ensure years of worry-free operation



## Technical Specifications

<b>Electrical Requirements</b>	115v/60hz/1ph/4.1A/NEMA 5-15P Plug
<b>Product Dimensions</b>	48"W x 44.79"H x 33.7"D (121.92cm x 113.77cm x 85.60cm)
<b>Product Weight</b>	295lbs (133.81kg)
<b>Shipping Dimensions</b>	53"W x 47"H x 35"D (134.62cm x 119.38cm x 88.90cm)
<b>Shipping Weight</b>	325lbs (147.42kg)
<b>Shipping Cubic Dimensions</b>	50.45ft <sup>3</sup> (1.43m <sup>3</sup> )
<b>Temperature Range</b>	36 to 40°F (2.2 to 4.4°C)
<b>Refrigerant</b>	R290
<b>Insulation</b>	Foamed-in-place, CFC-free polyurethane
<b>Exterior Construction</b>	Stainless steel exterior with galvanized back and bottom

<b>Interior Construction</b>	Aluminum interior with coved corners and finished edges
<b>Doors</b>	Two doors, one (1) left hand and one (1) right hand swing
<b>Shelves</b>	Four (4) heavy-gauge wire shelves
<b>Lid</b>	Stainless steel (with rear hood)
<b>Pan Well Capacity</b>	Includes twelve (12) 1/6 size pans (6" deep) — pan adapters included
<b>Internal Capacity</b>	8.3ft <sup>3</sup>
<b>Door Gasket</b>	Santoprene™ gasket
<b>Cutting Board</b>	One (1) 10" deep cutting board (removable)
<b>Casters</b>	Four (4) 5" heavy-duty casters (two locking)
<b>Certifications</b>	ETL Safety, ETL Sanitation
<b>Warranty</b>	1-year parts and labor, 5-year compressor (part only)

Model Number	Description
SKP4812A-ESUS1	Prep Table, 48", 115v/60hz/1ph, dual doors, 5" heavy-duty casters (two locking), 10"D cutting board, twelve 1/6 size pans, NEMA 5-15P

Accessories	Description
25567	Adapter Bars for Fractional Pans
43581	Pan 1/6 Size, 4" Deep Plastic
43643	Pan 1/6 Size, 6" Deep Plastic
27066	Pan 1/3 Size, 4" Deep Plastic
26415	Pan 1/3 Size, 6" Deep Plastic

To learn more about **Prep Table**, visit [silverking.com](http://silverking.com)