



## Features

### **Eco-Friendly Refrigerant**

R290 refrigerant with a global warming potential (GWP) of 3

### **Crew-Proof Construction**

Stainless steel exterior, galvanized bottom to reduce the risk of corrosion, and heavy-duty soft casters

### **Insulated Lids**

Removable, hinged front and back lids for easy access

### **Cabinet Capacity**

Maximized interior storage area of 2.45 cubic feet

### **Mobility**

3" heavy-duty soft casters plus a sleek design allow for easy movement around the kitchen

### **Easy to Clean**

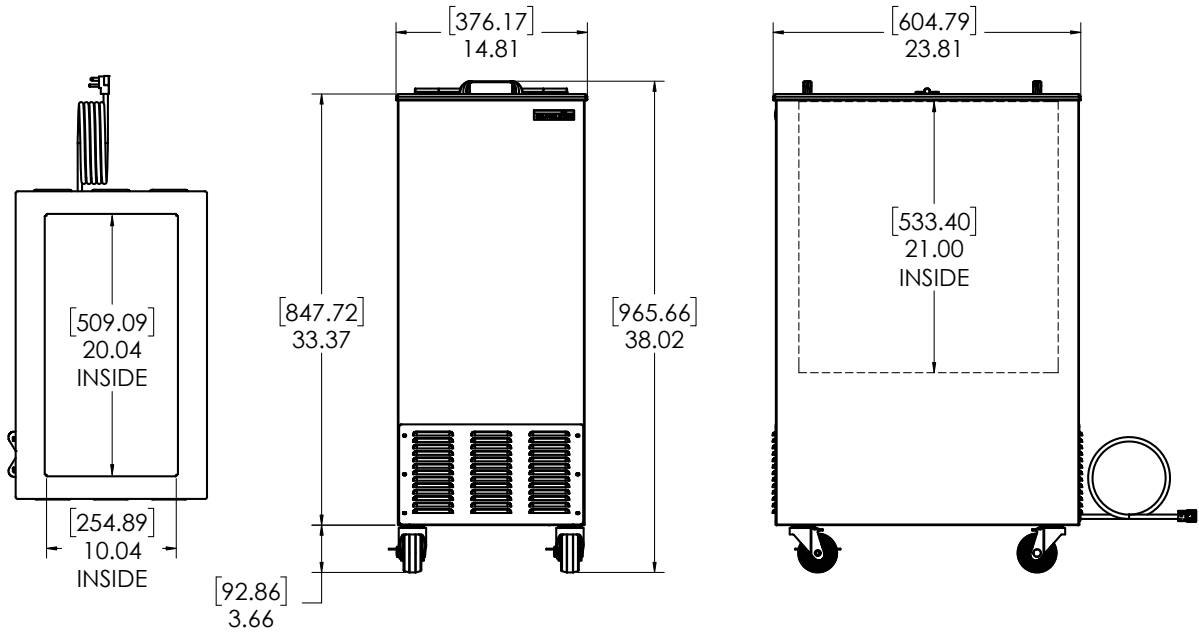
Stainless steel interior with coved corners, finished edges, plus removable lids

### **High-Density Insulation**

Foamed-in-place, CFC-free polyurethane insulation for maximum strength, rigidity, and insulation

### **Cold Wall Refrigeration System**

Optimized temperature control thanks to the cold wall refrigeration and top access



## Technical Specifications

<b>Electrical Requirements</b>	115v/60hz/1ph/2.1A/NEMA 5-15P Plug
<b>Product Dimensions</b>	14.81"W x 38.02"H x 23.81"D (37.62cm x 96.57cm x 60.48cm)
<b>Product Weight</b>	110lbs (49.90kg)
<b>Shipping Dimensions</b>	28"W x 42"H x 20"D (71.12cm x 106.68cm x 50.80cm)
<b>Shipping Weight</b>	125lbs (56.70kg)
<b>Shipping Cubic Dimensions</b>	13.61ft <sup>3</sup> (0.39m <sup>3</sup> )
<b>Temperature Range</b>	-5 to 5°F (-20.6 to -15°C)
<b>Refrigerant</b>	R290
<b>Charge Level</b>	1.5oz (42.5 grams)

<b>Insulation</b>	Foamed-in-place, CFC-free polyurethane
<b>Exterior Construction</b>	Stainless steel exterior with galvanized bottom
<b>Interior Construction</b>	Stainless steel interior with covered corners and finished edges
<b>Lids</b>	Front and back, insulated, hinged, removable
<b>Internal Capacity</b>	2.45ft <sup>3</sup>
<b>Casters</b>	Four (4) 3" heavy-duty soft casters (two locking)
<b>Certifications</b>	ETL SAFETY, ETL SANITATION
<b>Warranty</b>	1-year parts and labor, 5-year compressor (part only)

Model Number	Description
SKFI15-ELUS1	Mobile freezer 15", 115v/60hz/1ph, insulated hinged lids, 3" heavy-duty soft casters (two locking), NEMA 5-15P

To learn more about **Mobile Freezer**, visit [silverking.com](http://silverking.com)