

4FOS and 5FOS Series

Multi-Cartridge Filter Housings



- Designed for general purpose industrial and commercial filtration needs
- Heavy-duty 304L or 316L stainless steel construction for maximum durability and corrosion resistance
- V-band clamp or swing bolt closures for quick and easy cartridge change outs and secure sealing
- Holds four or five cartridges from 10" to 40" lengths for optimal choice of flow rates
- Accepts double open-ended (DOE) & 222 Flat style cartridges (222 Fin and 226 Fin style configurations are optional)
- Knife edge seals eliminate bypass on DOE cartridge
- Adjustable top plate accepts variable length cartridges
- Wide range of options to meet specific filtration and installation requirements

Applications

Water

Chemicals

Electronics

Power

Coolants

Desalination

Food & Beverage

Oil / Gas

Inks / Paints / Coatings

Pulp & Paper

Specifications & Operating Parameters

Maximum Operating Pressure

150 psig (10.3 bar) @ 300°F (149°C)

Inlet and Outlet Connections

Inlet /Outlet: 2" MNPT

Drain Ports: 1/2" FNPT

Vent Port: 1/4" FNPT

*Optional: MNPT, FNPT and BSP fittings,
RF flanges, Sanitary ferrules and Grooved fittings*

Materials of Construction

Head and Shell: 304L or 316L Stainless Steel

Connections: 304L or 316L Stainless Steel

Closure: Clamp: 304L Stainless steel

Swing Bolts: Zinc Plated Steel

Vent and Drain Plugs: 304L or 316L Stainless Steel

Gaskets

Buna N (FDA Grade Standard)

Optional: EPR, Silicone, Viton or Teflon

Encapsulated Silicone

Finish

Poly-coat on exterior surfaces

Optional: Electro-polish or Glass bead

Cartridge Type

DOE & 222 Flat style cartridges (maximum 2 3/4" OD)

Optional: 222 Fin and 226 Fin configurations available

Custom Options

- Gauge Ports or Gauge Ports with Pressure Gauges

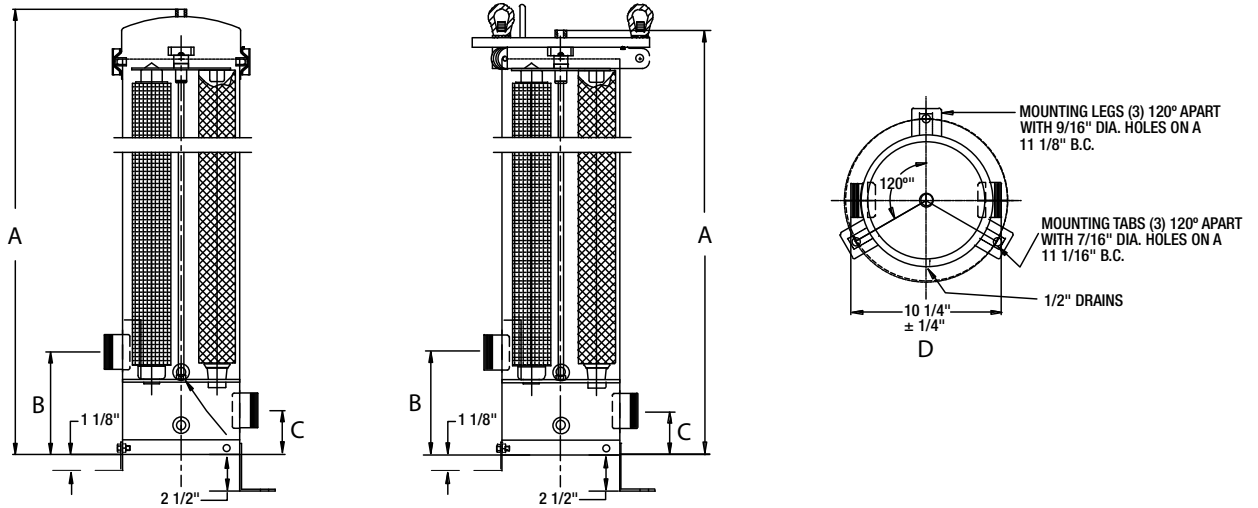
- Mounting Tabs, Mounting Legs or Heavy Duty Mounting Legs

See Ordering Guide for complete selection of options

MODEL	QUANTITY (LENGTH) OF CARTRIDGES +	RATED FLOW CAPACITY* GPM(LPM)	MAXIMUM DIAMETER CARTRIDGE	CLAMP STYLE	SWING BOLT STYLE			
				A	A	B	C	D
4FOS1/5FOS1	4/5 (10")	20 (76) / 25 (95)	2 3/4"	20 9/16" (52.23 cm)	20 15/16" (53.18 cm)	7" (17.8 cm)	3" (7.6 cm)	10 1/4" (26.0 cm)
4FOS2/5FOS2	4/5 (20")	40 (151) / 50 (189)	2 3/4"	30 9/16" (77.63 cm)	30 15/16" (78.58 cm)	7" (17.8 cm)	3" (7.6 cm)	10 1/4" (26.0 cm)
4FOS3/5FOS3	4/5 (30")	60 (227) / 75 (284)	2 3/4"	40 9/16" (103.03 cm)	40 15/16" (103.98 cm)	7" (17.8 cm)	3" (7.6 cm)	10 1/4" (26.0 cm)
4FOS4/5FOS4	4/5 (40")	80 (303) / 100 (378)	2 3/4"	50 9/16" (128.43 cm)	50 15/16" (129.38 cm)	7" (17.8 cm)	3" (7.6 cm)	10 1/4" (26.0 cm)

+ Housings will accept cartridge lengths: 10" = (9 3/4" or 10"), 20" = (19 1/2" or 20"), 30" = (29 1/4" or 30") and 40" = (39" or 40")
 * Based upon 5 gpm per 10" length with a 20 micron wound cartridge at 1 PSID clean and viscosity of 1 cps. Flow rates are for guidelines only, Actual flow rates are based on fluid, viscosity, cartridge type, micron ratings and other factors.

Dimensions: "Standard Housings"



Ordering Guide (Example: 4FOS3SB-316-222-2F-ML-E)

MODEL	LENGTH OF CARTRIDGES	CLOSURE STYLE	MATERIAL	CARTRIDGE CONFIGURATION	CONNECTION SIZE	CONNECTION * TYPE	FINISH / OPTIONS	GASKET
4FOS 5FOS	1 = 1 High 2 = 2 High 3 = 3 High 4 = 4 High	Blank = Clamp SB = Swing Bolt	Blank = 304L 316 = 316L	Blank = Universal DOE 222 Flat 222 = 222 Fin/Flat Style Cartridges 226 = 226 Fin/Flat Style Cartridges	Blank = 2" 2 = 2" 1.5 = 1.5" 1 = 1"	Blank = MNPT MNPT = Male Pipe Thread FNPT = Female Couplings BSPT = BSP Tapered BSPP = BSP Parallel F = RF Flange * TC = Ferrules GF = Grooved Fittings	Blank = Poly-coat / None TABS = Mounting Tabs ML = Mounting Legs OL = Heavy Duty Legs GP = Gauge ports GPA = Gauge ports with Gauges EP = Electro-polish GB = Glass bead P = Passivate	Blank = Buna N E = EPR S = Silicone V = Viton TS = Teflon Encapsulated Silicone

*All flanged housings require mounting legs.

Customization

Housings may be customized to meet your precise requirements. Contact Shelco's technical support staff or your distributor for more information.



Shelco Filters

100 Bradley Street
 Middletown, CT 06457 USA

Tel: 800-543-5843 / Fax: 860-854-6120 / E-mail: info@shelco.com

MicroSentry™, MicroVantage™, Shelco Filters® and the Shelco logo are registered trademarks of the Tinny Corporation. Shelco Filters is a division of the Tinny Corporation.



Proudly Made In The USA