



 **Powered pulling device**

 **Dispositif de traction électrique**

 **Elektrische aankoppelbike**



Empulse **StreetJet**

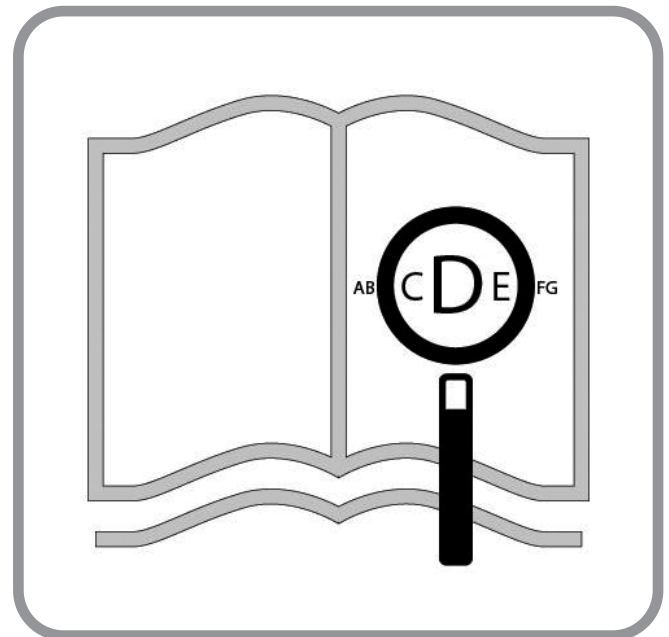
Instructions for use

Manuel d'utilisation

Gebruikershandleiding

Empulse

000690857.02



If you are visually impaired, this document can be viewed in PDF format at **www.SunriseMedical.co.uk.**

Si vous souffrez de déficience visuelle, ce document peut être consulté en format PDF sur **www.SunriseMedical.fr.**

Als u een visuele beperking heeft, kan dit document ook worden gelezen in PDF-formaat op: **www.SunriseMedical.nl.**

Pull Device Components

EN



We at SUNRISE MEDICAL have been awarded the ISO-13485 certificate, which affirms the quality of our products at every stage, from R & D to production. This product complies with the standards set forth in EU and UK regulations. Options or accessories shown are available at extra cost.

Composants du dispositif de traction

FR



Nous, la société SUNRISE MEDICAL, sommes certifiés ISO-13485, ce qui garantit la qualité de nos produits à tous les stades, du développement jusqu'à la production. Ce produit est conforme aux exigences des règlements de l'Union européenne et du Royaume-Uni. Les options ou accessoires illustrés sont disponibles en option.

Onderdelen aankoppelbike

NL







SUNRISE MEDICAL heeft het ISO 13485 certificaat toegekend gekregen, een bewijs van de kwaliteit van onze processen in elk stadium, vanaf het onderzoek en de ontwikkeling tot de productie. Dit product voldoet aan de standaarden zoals bepaald in wettelijke voorschriften van de EU en het VK. Getoonde opties en accessoires zijn tegen betaling verkrijgbaar.

Contents

Foreword	5
Use	6
Area of application	6
1.0 General safety notes and Driving limits	7
Safety instructions – prior to each ride.	8
Safety instructions – while driving	8
Safety instructions - after your ride:	8
2.0 Warranty	9
Liability	9
3.0 Handling	10
Delivery:	10
Unpacking:	10
Adjusting the handlebar:	10
Fitting the display:	10
Storage:	10
Safety:	10
4.0 Fitting to the wheelchair for the first time	11
4.1 Fitting the clamps to the wheelchair	11
4.2 Fitting the pulling device and adjusting the fitting angle correctly	12
5.0 Docking and de-docking of the pulling device by the user	15
5.1 Docking	15
5.2 De-docking	15
6.0 Operation	16
6.1 Brakes	16
6.2 Switching on and off	16
6.3 Selecting the direction of travel	17
6.4 Controlling the speed (throttle)	17
6.5 Selecting the drive levels	18
6.6 Cruise control	18
6.7 Functions of the display	19
7.0 Battery and charger	21
7.1 Introduction	21
7.2 Safety instructions for the battery and charger	21
7.3. Notes for transportation in aeroplanes	23
7.4. Switching the battery on and off	23
7.5. Charge status display for the battery	24
7.6. Detaching the battery	24
7.7. Charging the battery	25
7.8 Battery warranty:	25
8.0 Maintenance and troubleshooting	25
8.1. Fitting and repairing the tyre:	25
8.2 Regular maintenance	26
8.3 Electrical system	26
9.0 Technical Specifications	27
10.0 Notes on storage	29
11.0 Cleaning and hygiene	29
12.0 Disposal and recycling	30
13.0 Nameplate	31

Definitions of words used in this manual

Word	Definition
 DANGER!	Advice to the user of Potential Risk of serious injury or death if the advice is not followed
 WARNING!	Advice to the user of a risk of injury if the advice is not followed
 CAUTION!	Advice to user that potential damage to equipment may occur if the advice is not followed
NOTE:	General advice or best practice
	Reference To Additional Documentation

NOTE:

- Please keep a note of your local service agent's address and telephone number in the space provided.
- In the event of a breakdown, contact them and try to give all relevant details so they can help you quickly.
- The pulling devices shown and described in this user guide may not correspond in every detail exactly to your own model. However, all instructions are completely relevant, regardless of possible detail differences.
- The manufacturer reserves the right to alter without notice any weights, measurements or other technical data shown in this manual. All figures, measurements and capacities shown in this manual are approximate and do not constitute specifications.

Dealer signature and stamp



Foreword

Dear Customer,

We are very happy that you have decided in favour of a high-quality product from SUNRISE MEDICAL.

This owner's manual will provide numerous tips and ideas so that your new pulling device can become a trustworthy and reliable partner in your life.

For Sunrise Medical, it is very important that we have a good relationship with our customers. We like to keep you up-to-date about new and current developments at our company. Keeping close to our customers means: fast service, as little red tape as possible, working closely with customers. Whenever you need replacement parts or accessories, or if you just have a question about your pulling device – we are there for you.

We want you to be satisfied with our products and service. At Sunrise Medical we are constantly working to develop our products further. For this reason, changes can occur in our range of products with regard to form, technology, and equipment. Consequently, no claims can be construed from the data or pictures contained in this user's manual.

The management system of SUNRISE MEDICAL is certified to ISO 13485 and ISO 14001.

**UK
CA** As the manufacturer, SUNRISE MEDICAL, declares that this product conforms to the UK Medical Devices Regulation 2002 No. 618.

CE As the manufacturer, SUNRISE MEDICAL, declares that this product conforms to the Medical Device Regulation (2017/745).

NOTE:

General user advice.

Not following these instructions may result in physical injury, damage to the product or damage to the environment!

Notice to the user and/or patient: Any serious incident that has occurred in relation to the device should be reported to the manufacturer and the competent authority of the Member State in which the user and/or patient is established.

B4Me special adaptations

Sunrise Medical strongly recommends that in order to ensure that your B4Me product operates, and performs as intended by the manufacturer; all the user information supplied with your B4Me product is read and understood, before the product is first used.

Sunrise Medical also recommends that the user information is not discarded after reading it, but it is kept safely stored for future reference.

Medical Device Combinations

This medical device is always to be used in combination with one other Medical Device or other product. Information on which combinations are possible can be found at www.Sunrisemedical.co.uk. All combinations listed have been validated to meet the General Safety and Performance Requirements, Annex I Nr. 14.1 of the Medical Device Regulation 2017/745.

Guidance on the combination, such as mounting, can be found within this manual.

Please contact your local, authorised SUNRISE MEDICAL dealer if you have any questions regarding the use, maintenance or safety of your pulling device.

In the case of there being no authorised dealer in your area and you have any questions regarding product safety or recalls, contact Sunrise Medical either in writing or by telephone.

Sunrise Medical
Thorns Road
Brierley Hill
West Midlands
DY5 2LD
England
Phone: 0845 605 66 88
Fax: 0845 605 66 89
www.SunriseMedical.co.uk



Do not use your pulling device until this manual has been read and understood. Please follow the instructions contained within the Owner's Manual.

Use

The Empulse StreetJet is a powered pulling device, which is attached to a wheelchair, to support the mobility and integration of the wheelchair user in daily life. It is designed for personal use indoors or outdoors.

The maximum user weight (including both the user and any weight of accessories fitted to the pulling device) is marked on the serial number label. The serial number label is located on the frame as well as in the owner's manual.

Warranty can only be taken on if the product is used under the specified conditions and for the intended purposes.

Service life

The intended lifetime of this product is 5 years, provided that:

- It is used in strict accordance with the intended use.
- All service and maintenance requirements are fulfilled.

DANGER!

- Do not fit any unauthorized electronic equipment.

Area of application

The pulling device provides the user with the potential to safely cover long distances in an ergonomically and ecologically efficient manner, using their own wheelchair. It expands the activity radius significantly.

The attached wheelchair must be equipped in accordance with road traffic regulations when used on public roads, pavements and spaces.

Indications

The adjustability, as well as the modular design, mean that it can be used by those who cannot walk or have limited mobility because of:

- Paralysis
- Loss of extremity (leg amputation)
- Extremity defect deformity
- Joint contractures/joint injuries
- Illnesses such as heart and circulation deficiencies, disturbance of equilibrium or cachexia as well as for elderly people who still have strength in the upper body.

Contraindications

The electrical pull and add on devices shall not be used in case of:

- Perception disorder
- Imbalance
- Loss of both arms
- Joint contracture or joint damage on both arms
- Seating disability
- Physically and mentally not capable of safely operating the pull device in all operating situations (steering, braking, ..)
- Not meeting the legal requirements for use on public roads.

NOTE:

Please note that driving a wheelchair requires sufficient cognitive, physical and visual skills. The user must be able to assess the effects of actions during the operation of the wheelchair and, if necessary, to correct them. These capabilities and the safe use of the additionally attached components cannot be assessed by Sunrise Medical as a manufacturer. We cannot accept any liability for any damage resulting from this.

Please refer to the operating instructions of the wheelchair and the additionally mounted components. Instruct the user in the safe use of the wheelchair and the additionally mounted components. Inform users of specific warnings that need to be read, understood, and respected.

Operating Conditions

The pulling device should be able to cope with tarmac surfaces and firm paths with different topography. Avoid driving on unpaved or loose surfaces (e.g. on loose gravel, in sand, mud, snow, ice or through deep puddles of water), as this may expose the user to unforeseen risks.

We herewithin advise, that using the Empulse StreetJet with max. speed-settings higher than 6 kph is only permitted on public roads in certain countries and otherwise may only be used on private property. In the absence of approval, in accordance with the road traffic laws, the Empulse StreetJet may not be driven on public roads, bicycle-lanes and pavements. You need to inform yourself about the country specific legislation regarding usage and your legal obligation to insure the Empulse StreetJet.

When you're travelling with your StreetJet, always check the specific legislation in the respective country.

1.0 General safety notes and Driving limits

The technology and construction of this pulling device have been designed to provide maximum safety. International safety standards currently in force have either been fulfilled or exceeded in parts. Nevertheless, users may put themselves at risk by improperly using their pulling device. For your own safety, the following rules must be strictly observed. Unprofessional or erroneous changes or adjustments increase the risk of accident. As a pulling device user, you are also part of the daily traffic on streets and pavements, just like anyone else. We would like to remind you that you are therefore also subject to any and all traffic laws.

Be careful during your first ride with this pulling device. Get to know your pulling device.

WARNING!

- Exceeding the maximum load can lead to damage to the pulling device, loss of control, or serious injury to the user and other people.
- Exercise caution when using the pulling device. For example, avoid negotiating obstacles such as, steps, curbs, path edges or dropping down gaps without slowing down or braking first.
- The pulling-device is not tested and approved according to ISO 7176-19. It is therefore not allowed to transport the user in the wheelchair with the StreetJet docked in a car. When transporting a combined unit made up of a pulling device and wheelchair vehicle, the user must transfer onto the vehicle seat and must not sit on the combined unit. The combined unit itself (without user) must be tied down during transportation and secured against slipping.
- This pulling device should be used exclusively to convey one person at a time. Any other use does not comply with the intended purpose.
- Use of the pulling device is only recommended for those who have the right physical and psychological constitution to be able to cope with public traffic.
- Please note that you are subject to any and all traffic laws when riding in public traffic.
- As a beginner, you should ride particularly carefully at first.
- Familiarise yourself with the braking distances from various speeds.
- Familiarise yourself with the general traffic laws!
- In order to achieve a stable ride when travelling straight ahead, wherever possible, you should avoid hasty steering movements when travelling at speed or going round corners.
- A three-wheel vehicle is never as stable as a four-wheel vehicle and it may tip over as a result of sudden manoeuvres or going round bends too quickly.
- When you are riding, braking or manoeuvring, always hold the handlebars firmly with both hands. Failure to do so could increase the risk of an accident through steering error.
- The speed must be adjusted to suit the technical capabilities of the bike, terrain and operator.
- At night and dawn/dusk, always use the lights.
- Only ride on asphalt paths, or firm, smooth surfaces.
- Use caution when riding over curbs, steps, potholes, etc. as there is an increased risk of tipping over.
- Adjust your method of driving to your capabilities.
- Ride slowly and carefully, particularly when riding round corners.
- Do not touch the motor, because it can get very hot.
- Your pull device should be serviced by your dealer at regular intervals. (min. every year).

- As with all moving parts, there is a risk that fingers could become trapped. Please always handle carefully.
 - If the traction device is subject to direct sunlight / external heat sources or low temperatures for long periods, parts of your pulling device could become very hot (>41°C) or very cold (<0°).
 - The pulling device should not be used in stormy conditions, heavy rain/snow or on slippery or damaged surfaces.
 - You should only use product combinations which have been approved by Sunrise Medical.
 - The standard version of your pull device has been tested on the applicable requirements with respect to electromagnetic radiation (EMC requirements) In spite of these tests:
 - It cannot be excluded that electromagnetic radiation may influence the driving characteristics of the pull device. For example:
 - mobile telephony
 - large-scale medical apparatus
 - current generators
 - high voltage source
 - other sources of electromagnetic radiation
 - It cannot be excluded that the pull device may interfere with electromagnetic fields. For example:
 - shop doors
 - burglar alarm systems in shops
 - garage door openers
- In the unlikely event that such problems do occur, we request that you notify your dealer immediately.

DANGER!

CHOKING HAZARD – This mobility aid uses small parts which under certain circumstances may present a choking hazard to young children. The pull device shown and described in this user guide may not correspond in every detail exactly to your own model. However, all instructions are completely relevant, regardless of possible detail differences.

NOTE: The pulling devices shown and described in this user guide may not correspond in every detail exactly to your own model. However, all instructions are completely relevant, regardless of possible detail differences. The manufacturer reserves the right to alter without notice any weights, measurements or other technical data shown in this manual. All figures, measurements and capacities shown in this manual are approximate and do not constitute specifications.

NOTE: We would like to point out that the versions of the pulling device which drive faster than 6 kph are only permitted in road traffic in certain countries and otherwise may only be used on private land. In the absence of approval, in accordance with the road traffic laws, the versions which drive faster than 6 kph version may not be driven on public roads or even cycle ways. It is your responsibility to find out the information about which legal regulations apply in your particular country and about the insurance or driving licence obligations for versions which drive faster than 6 kph.

If you order a version which has a speed of over 6 kph, please confirm this to Sunrise Medical with your signature, that you have understood this information and that we should deliver this version.

Safety instructions – prior to each ride.

CAUTION!

- Check the conditions of your wheels, (including the wheels of your wheelchair) visually, (spokes and rims, damages of tyres) as well as the pressure of the tyres. The correct air pressure is indicated on the tyre.
- Tyre pressure which is too low or too high will have a negative effect on the braking action, wear and tear and the driving performance.
- Always check that the tread depth of your tyres is Okay.
- Check that the brake works correctly. The pulling device may not be used if the brakes are not 100% functioning!
- Avoid damage to the Bowden cables. There is a risk of kinking the cable when you transfer to/from the device.
- Check the fork by visual inspection for damage (e.g. cracks and breakages)
- Check that all components, especially the bolts, are tight.
- Check that the handlebars are firmly fixed.
- Check the connection between the pulling device and your wheelchair. Clamping must be on the metal tube without any parts, (e.g. calf strap, frame protectors) in between.
- Check the frame and the components of your wheelchair for any damage, (e.g. cracks).
- Check that the lights are functioning and the reflectors are sound; they must be visible all the time during use.
- Ensure that your feet cannot slip off the foot plate of your wheelchair. Use a special fixing tool if necessary.
- Check all cables and electrical connections.
- Check that the battery is locked correctly and fully charged.
- Switch the battery on and check the light.
- Always wear a helmet.

Safety instructions – while driving

WARNING!

- Make yourself familiar with the device in flat terrain before driving up or down slopes.
- Always hold the handlebars with both hands firmly as otherwise, there is a high risk of an accident through steering error.
- Always adapt your speed to your driving capability and to the traffic - / terrain conditions
- Use particular caution when approaching stairs, edges, drops or other hazard areas.
- Reduce your speed to walking pace and lean your body inwards, when driving round a bend.
- When waiting e.g. at a pedestrian crossing, a traffic light, on hills or slopes or at ramps of any type, always activate the brake.
- Due to the increased turning circle, turning can be sometimes impossible e.g. in corridors and other confined spaces.
- Only use the defined brackets to fix objects, (additional weights, bike panniers)
- When driving on pedestrian areas, observe the maximum permitted speed (walking speed).
- Always follow the road traffic regulations when driving on public roads and footpaths.
- Avoid driving on unpaved or loose surfaces (e.g. on loose gravel, in sand, mud, snow, ice or through deep puddles of water).

- Avoid abrupt steering actions.
- Avoid driving in parallel to slopes.
- Avoid turning on slopes.
- On slopes the traction of the driving wheel is lowered and the braking effect is considerably reduced. The driving style and speed should be always adjusted so that the product can be safely stopped at all times.
- Towing or using a trailer is not permitted.
- Driving on stairs is not permitted.
- Obstacles e.g. curbs must be run over always frontal / rectangular with very low speed to avoid tipping over and potential injuries. The max obstacle height is 50 mm, but this depends on the distance from the castors to the ground.
- It must be avoided that any wheelchair components or parts of your body get trapped when driving over or passing obstacles. This could result in falls and serious injuries as well as damage to the product.
- When driving on wet surfaces, there is an increase slip hazard because the traction of the tyres is reduced. Adapt your driving style accordingly.
- Always use the main brake to slow down your pulling device.
- Sliding of the driving wheel during braking can be avoided by moving your body weight forward.
- Avoid strong braking actions while driving through bends.

Safety instructions - after your ride:

- Switch off the device immediately when it is not in use to avoid accidental operation / movements caused by accidentally touching the throttle.
- Switching off helps to preserve the battery charge.

2.0 Warranty

Warranty conditions:

1. If a part or parts of the pushing aid require repair or exchange as a consequence of a manufacturing defect within 24 months after delivery to the purchaser, then the affected part or parts will be repaired or replaced for free. The warranty will only cover manufacturing defects.
2. To enforce the warranty, please contact the supplier of your device – e.g. the Sunrise Medical Approved dealership or Healthcare provider with the exact details of the nature of the difficulty. Should you be using the device outside the area covered by the Sunrise Medical customer service agent, repairs or replacement will be carried out by another agency as designated by the manufacturer. The device must be repaired by a customer service centre/dealer designated by Sunrise Medical.
3. For parts, which have been repaired or exchanged within the scope of this warranty, we provide a warranty in accordance with these warranty conditions for the remaining warranty period for the device in accordance with point 1).
4. For original spare parts which have been fitted at the customer's expense, these will have a 12 months guarantee, (following the fitting), in accordance with these warranty conditions.
5. Claims from this warranty shall not arise, if a repair or replacement of a product or a part is required for the following reasons:
 - a. Normal wear and tear, which include batteries, armrest pads, upholstery, tyres, brakes shoes, etc.
 - b. Any overloading of the product, please check the EC label for maximum user weight.
 - c. The product or part has not been maintained or serviced in accordance with the manufacturer's recommendations as shown in the user instructions and/or the service instructions.
 - d. Accessories have been used which are not specified as original accessories.
 - e. The product or part having been damaged by neglect, accident or improper use.
 - f. Changes/modifications have been made to the product or parts, which deviate from the manufacturer's specifications.
 - g. Repairs have been carried out, before our Customer Service has been informed of the circumstances.
6. This guarantee is subject to the law of the country in which the Sunrise Medical product was purchased. * Means the Sunrise Medical facility from which the product was purchased.

Liability

If the pulling device:

- Is handled improperly
- Is not maintained in accordance with the maintenance schedule
- Is commissioned and used contrary to the instructions in this manual
- Has had repairs or other works carried out by non-authorized persons, or third-party parts installed or connected without prior agreement with Sunrise Medical, then Sunrise Medical is not responsible for the safety of the pulling device.

3.0 Handling

Delivery:

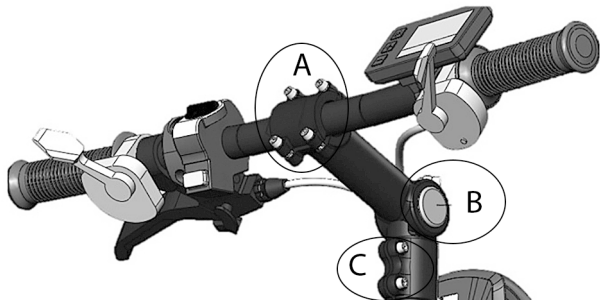
Your new pulling device is delivered fully assembled in a cardboard box. In order to avoid any damage during transportation, loose parts or parts to be fitted, are packed separately in the cardboard box.

Unpacking:

- Check the shipping cardboard box for external damage which may have been caused during transportation.
- Remove all packaging material.
- Take the pulling device carefully out of the box and check that it is complete.
- Check all parts for surface damage, scratches, cracks, dents, distortions and other defects.
- The scope of delivery consist usually of the pulling device: Connecting frame with complete docking system, display, front light, lithium-ion battery and charger.

Adjusting the handlebar:

The StreetJet is delivered with the handlebar assembly loosened to allow adjustment to suit an individual. Ensure the two bolts on the StreetJet stem clamp (C) are tightened to 10Nm with a 4mm allen key. Adjust the angle of the handle bar to your preferred position, then use a 5mm allen key to tighten the angle adjustment bolt (B) to 15Nm. The clamp that attaches to the handlebar will need the 4x bolts (A) tightening with a 4mm allen key to 6Nm each. This will secure the handle bar assembly ready for use.



Fitting the display:

The display has been specifically programmed for your pulling device and is delivered with the pulling device. Fit the display as follows:

- Undo the gripper clamp of the display and position it between the throttle and stem round the handlebar. Tighten the clamp screw in order to fix the display.
- Connect the plug of the display to the free plug connection on the pulling device. The plug is protected against polarity reversal and can only be plugged in one way. Make sure that you do not damage the pins in the plug during installation.

NOTE: Should you find any damage, or if any parts are missing please let us know immediately.

⚠ CAUTION!

- The pulling device may only be used with the delivered docking system and the appropriate frame clamps for your wheelchair. The pulling device must be handed over ready to use from Sunrise Medical or an authorised Sunrise Medical dealer.
- Before using for the first time, the battery should be fully charged.

NOTE:

- Wherever torque settings are specified, it is strongly recommended that a torque meter (not included), is used to verify correct torque specification is achieved. If no other information is given, the generic torque for M6 screws is 7 Nm.

⚠ CAUTION:

- Some of the screws that are used in manufacture have a thread lock (blue dot on the threads) and can be used up to three times, then they must be replaced by new screws with thread lock. Alternatively, you can put Loctite™ 243. Apply threadlock to the screws and re-fit them.

Storage:

The pulling device should always be stored in an environment with low humidity, on an easy to clean surface at ambient room temperature (+15°C to + 25°C)

Transport:

It is not allowed to transport the user in the wheelchair with the StreetJet docked in a car. When transporting a combined unit made up of a pulling device and wheelchair vehicle, the user must transfer onto the vehicle seat and must not sit on the combined unit. The combined unit itself (without user) must be tied down during transportation and secured against slipping.



This label on the product indicates that the pulling-device is not tested and approved according to ISO 7176-19. It is therefore not allowed to transport the user in the wheelchair with the StreetJet docked in a car.

When transporting a combined unit made up of a pulling device and wheelchair vehicle, the user must transfer onto the vehicle seat and must not sit on the combined unit. The combined unit itself (without user) must be tied down during transportation and secured.

⚠ WARNING!

- Always use a properly secured vehicle seat.
- The product and all its components must be secured during transport so that they are not damaged (e.g. by falling over) and do not become any risk to other people.

⚠ CAUTION!

- When loading make sure that the cables are not caught up, become kinked or otherwise damaged.
- The pulling device may not be used with damaged cables.

Safety:

- To protect your pulling device against theft and also against unauthorized use, please use a suitable lock, such as those designed for bicycles.
- For extra security on the pulling device, please switch off and remove the battery.

4.0 Fitting to the wheelchair for the first time

4.1. Fitting the clamps to the wheelchair

The pulling device must only be fitted to wheelchairs for which there is a reciprocal combination declaration between Sunrise Medical and the manufacturer of the wheelchair.

The delivery includes the appropriate clamps for your wheelchair. If you have ordered the clamps for frames with round tubes, There are two different sets of round frame tube clamps available which can be fine adjusted between 19mm and 24mm / 25mm and 35mm.

To fine adjust the clamps to your frame tube diameter position the front frame of the wheelchair in the clamps. Open the jaws of the One Touch Clamp using the clamp lever.



Use a 4mm Allen key to adjust the threaded adjuster on the one touch clamp. This adjusts the force of the one touch clamp on the frame of your wheelchair. Turn the threaded adjuster anti-clockwise to open out the clamp jaw. With the jaws open, position them on the frame. Close the lever to engage the clamp, then tighten the threaded adjuster to pull the jaws in until they touch the frame of your wheelchair. Once the jaws are touching against the frame of your chair, release the clamp lever and further tighten the threaded adjuster $\frac{3}{4}$ of a clockwise turn. Engage the clamp using the lever and check the StreetJet is firmly attached to your wheelchair.



The Empulse StreetJet cannot fit to wheelchairs with swing away footrests.

⚠ DANGER!

- If the clamps are fitted on removable footrests this will lead to damage to the wheelchair and can lead to a fall and injury to the user.

⚠ CAUTION

- Make sure that the Empulse StreetJet is securely attached to the wheelchair.
- Check the torque of the clamps at regular intervals.

NOTE:

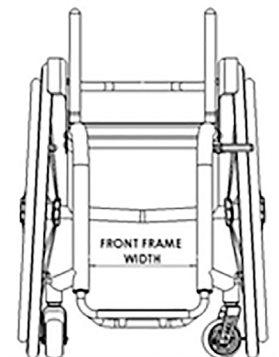
- Wherever torque settings are specified, it is strongly recommended that a torque-wrench (not included), is used to verify correct torque specification is achieved. If no other information is given, the generic torque for M6 screws is 7Nm.

⚠ CAUTION:

- Some of the screws that are used in manufacture have a thread lock (blue dot on the threads) and can be used up to three times, then they must be replaced by new screws with thread lock. Alternatively, you can put Loctite™ 243 threadlock on the screws and re-fit them.

4.2. Fitting the pulling device and adjusting the fitting angle correctly

Adjust the intermediate sub-frame of the StreetJet to the appropriate width



There are three different front frame width ranges available to fit your individual wheelchair measurements. Measured from inside tube to inside tube.

Measured width
220-275 mm
275-330 mm
330-425 mm

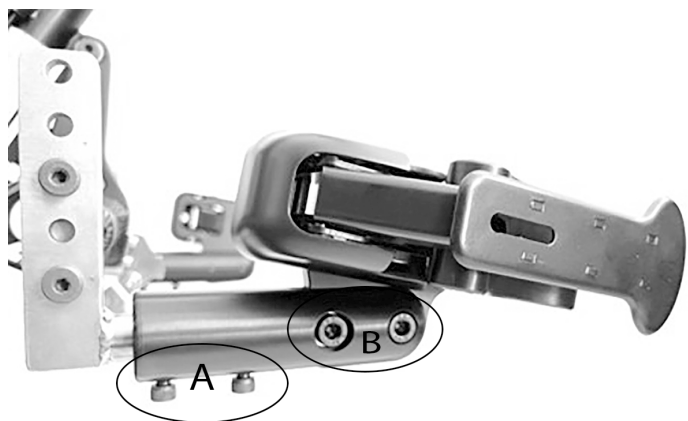
NOTE:

- A straight section of the frame tube at a minimum of 45mm is necessary for the attachment of the clamps.
- The optimal angle of the StreetJet to the ground is 80°. For optimal performance, it is recommended not to fall below the 322mm minimum mounting height (measured from floor to bottom edge of the clamp):

Adjusting the subframe to the right front frame width and angle

NOTE: Make sure that the frame tube diameter is already adjusted (see section 4.1)

- Loosen the Screws (A) and (B) of the clamps



- Loosen the Screws (C) of the subframe



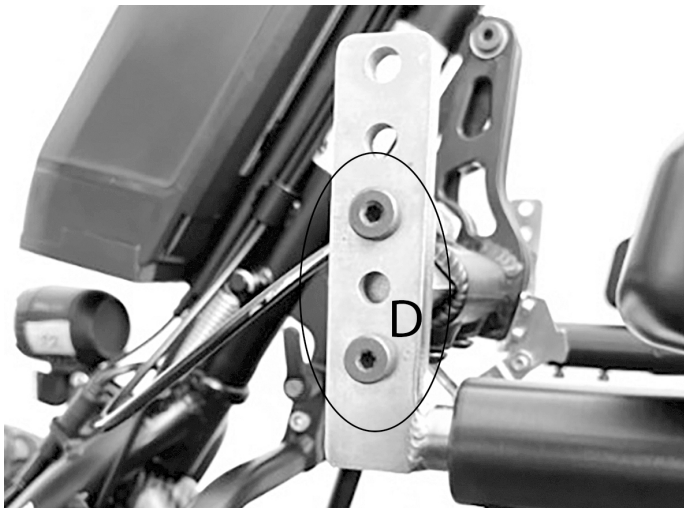
- Move the StreetJet in front of the wheelchair



- Close the clamps by pushing on the lever



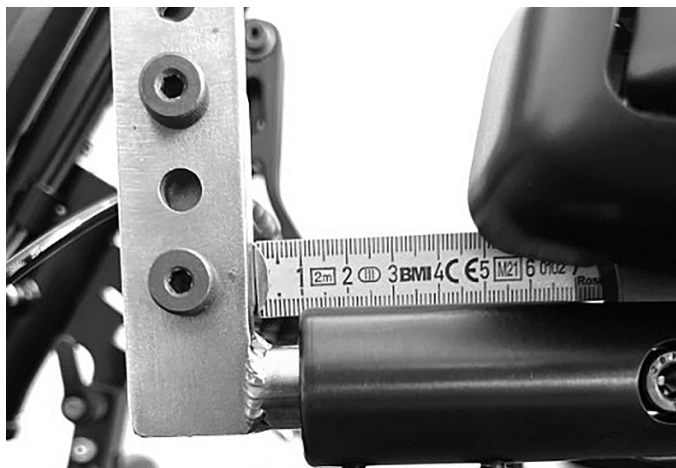
- Make sure that the clamps are positioned on a straight section of the tube (min 45mm) and there is no interference with any part of the wheelchair
- If there is not enough straight tube length, please adjust the height of the clamps by reposition the docking arm height
 - Open the screws (D)
 - Reposition the docking arms
 - Tighten the screws (D) by 16Nm.



- Tighten the screws (C) to 16Nm

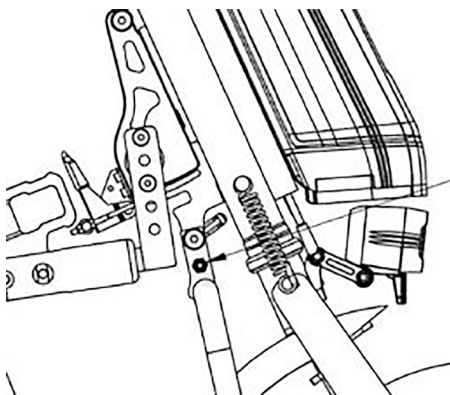


- Make sure that the distance between mounting plate and clamp does not exceed 20mm.

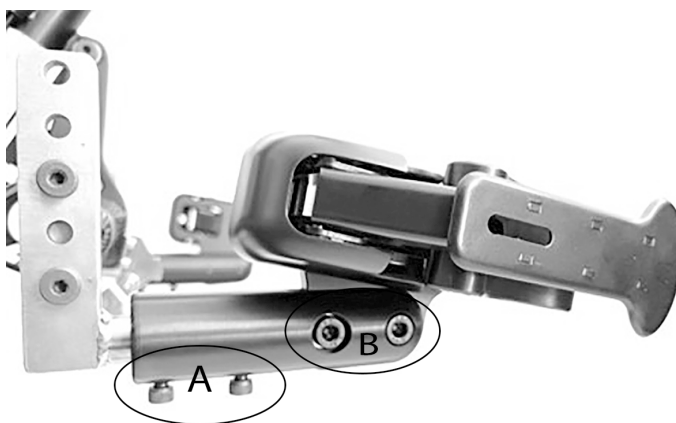


Ensure that there is in any case, no contact between the driving wheel/ stand and the footboard/ feet. (see section 5.0)

- If there is in any case a contact between the driving wheel and the footboard/ feet please, position the StreetJet that there in any case no contact between the driving wheel and the footboard/ feed
- If there is in any case a contact between the stand and the footboard. The position of the StreetJet stand must be adjusted. This is done by removing the M6 bolt and nut and repositioning the stand into the second adjustment hole. The bolt and nut can then be tightened to 12Nm to secure the stand in place.



- Tighten the screws (A) to 12Nm and (B) to 20Nm



⚠ DANGER!

Re-tighten screws 30 minutes before using the StreetJet, then retighten again after 24 hours.

⚠ DANGER!

In any case, make sure that the gap between the feet of the user and the drive wheel is big enough, even at full steering lock.

Under no circumstances must the drive wheel touch the user's feet during driving, this may cause injury.

NOTE:

Wherever torque settings are specified, it is strongly recommended that a torque meter (not included), is used to verify correct torque specification is achieved. If no other information is given, the generic torque for M6 screws is 7 Nm.

⚠ CAUTION:

Some of the screws that are used in manufacture have a thread lock (blue dot on the threads) and can be used up to three times, then they must be replaced by new screws with thread lock. Alternatively, you can put Loctite™ 243 threadlock on the screws and re-fit them.

⚠ CAUTION!

Always observe the correct torque.

Adjusting the handlebar position

The position of the handlebar can be adjusted from 0° to 90° angle.

To change the angle of the stem, loosen the screw (A). You can now move the stem to the angle you require (infinitely adjustable). Once the adjustment is complete, tighten the screw (A) to 20Nm.



⚠ DANGER!

Make sure to route and secure all cables properly. Make sure not to bend or stretch cables. If necessary, use zip-ties to fasten cables.

5.0. Docking and de-docking of the pulling device by the user

⚠ DANGER!

Always make sure that the device is switched off before docking and de-docking.

Ensure the wheelchair is fully connected with the pulling device before use.

As with all moving parts, there is a risk that fingers and / or clothing could become trapped. Be extra careful when operating the clamp-lever and the locking-bolt.

5.1. Docking

1. Switch the pulling device off using the switch on the battery.
2. Drive with the wheelchair front frame into the docking clamps (Fig. 1)
3. Apply the wheelchair brakes. (Fig. 2)
4. Close the clamps by a push on the outside (Fig. 3)
5. Pull and hold the docking release lever on the handlebar (Fig. 4a)
6. In parallel, push the handlebar forwards/upwards (Fig. 4b)
7. And release docking release lever (Fig. 4c).
8. Close the clamp lever by pulling it upwards beyond the dead centre point. (Fig. 5).
9. Only release the wheelchair brakes just before setting (Fig. 6).

⚠ DANGER!

- Before setting off, ensure that the pulling device is correctly docked and that all locks are closed.
- If the locks cannot be closed properly, or you have the feeling that they are not properly closed, please contact your dealer for this to be checked. Under no circumstances should you set off, there is a risk of accident and injury.
- The gap between castors of the wheelchair and the floor must be at least 40mm - otherwise there is a risk of accident and injury.
- The docking and de-docking procedures should always take place on an even surface.
- With all moving parts, pay attention to your fingers - there is a risk of finger entrapment.

NOTE:

Before setting off, take a moment and go through the following checklist:

- Both clamps end at least 20 mm away from the drive wheel.
- The clamp lever is completely closed and there is no play.
- The gap between the castors of the wheelchair and the floor is at least 40mm.



5.2. De-docking

1. Apply the wheelchair brakes.
2. Switch the pulling device off using the switch on the battery.
3. Undo the clamp lever.
4. Push the handlebar gently forwards/upwards.
5. Pull and hold the docking release lever on the handlebar
6. Now lower the pulling device slowly until the castors of the wheelchair touch the floor.
7. Open the clamps by flipping them sideways.
8. Move the pull device to the front

⚠ DANGER!

With all moving parts, pay attention to your fingers - there is a risk of finger entrapment.

The docking and de-docking procedures should always take place on an even surface.

Place the pulling device carefully onto the floor so that it does not get damaged.

6.0 Operation

Word	Definition
⚠ DANGER!	Advice to the user of Potential Risk of serious injury or death if the advice is not followed
⚠ WARNING!	Advice to the user of a risk of injury if the advice is not followed
⚠ CAUTION!	Advice to user that potential damage to equipment may occur if the advice is not followed
NOTE:	General advice or best practice

6.1. Brakes

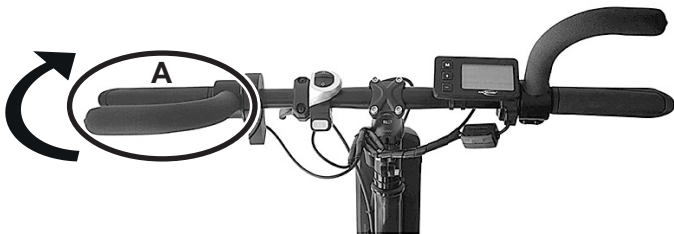
The pulling device has two brakes:

- a mechanical disk brake which is operated by a brake lever on the handlebar (A), optional mechanical double braking system with brake lever on right and left side
- an electrical brake, which is operated using the operating paddle on the handlebar (B). The electrical brake only works when the pulling device is switched on and ready for use.



Quad controls

Quad control brake is operated by pushing the lever (A) to the front.



Before driving, familiarise yourself with the operation, response and braking force of both brakes.

⚠ DANGER!

- The electrical brake only works when the pulling device is switched on and ready for use.
- You will only achieve the maximum brake performance with the mechanical disk brake.
- Hard and sudden application of the brakes may cause you to fall forward with your upper body, resulting in possible injury. Therefore always stabilise yourself by holding onto the handles firmly with both hands.
- Braking power can be severely decrease by any or all of the following:
 - Worn tyre tread
 - Tyre pressure which is too low or too high
 - Soiled and wet tyres
 - Worn brake pads
- Ensure that the brake pads and brake discs do not become contaminated with oil and/or grease. If this happens the brake pads must be replaced. The brake disc must be professionally degreased with a brake cleaner.
- The disk brake is not self-adjusting and needs to be re-adjusted when the brake pads wear. Please contact your dealer to carry out this work.
- Be aware that the condition of the ground surface can significantly affect braking efficiency.
- Be aware that the stopping distance is extended when braking on a slope.
- The braking effect will be greatly reduced if the surface is wet, dirty, sandy, stony, uneven or otherwise compromised by environmental conditions. It is best to avoid these conditions. If this is not possible adapt your driving style to avoid the risk of potentially serious accidents.
- Always check the efficiency of the brakes before starting your journey to ensure that they are working correctly. The brakes should be checked regularly by your dealer and adjusted if required.
- If you stop on a steep slope (upwards), it can happen that the brake of the pulling device cannot hold the combined unit because of a lack of traction on the front wheel.

6.2. Switching on and off

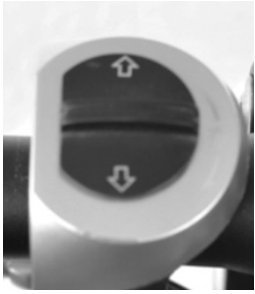
Your pulling device has two switches:

- An On/Off switch on the battery housing - always switch this on first (to do this, see "Switching the battery on and off").
- An On/Off switch on the display: by pressing the upper "On/Off" button (for 2 seconds) you can switch the pulling device on or off.
- You can switch the lights on by holding the "+" button on the display pressed for 2 seconds. To switch off, press the "+" button again for 2 seconds. The display backlight is also switched on and off with the lights.

⚠ WARNING!

- Always switch the pulling device off before docking or de-docking in order to avoid unintentional operation
- When not being used, always switch the pulling device off using the switch on the battery.

6.3. Selecting the direction of travel



- The direction control switch on the handlebar allows you to select the direction of travel. When the switch is pushed forwards in the direction of travel, the pulling device moves forwards when the throttle is activated.

- In order to change the direction of travel, the pulling device must be brought to a standstill. Then the direction control switch must be moved to the backwards position (travel direction to the back). Activating the throttle will move the pulling device backwards.

⚠ DANGER!

- The direction of travel can only be changed when the device is stationary. Operating the direction control switch when driving only has an effect once the device has come to a standstill.
- Before setting off each time, check the position of the direction control switch in order to avoid unintentionally moving backwards (risk of injury).
- When driving backwards take note of your environment in order to avoid collisions.
- Please note that the steering behaves differently when going backwards compared with going forwards. Abrupt steering movements can lead to a fall (risk of injury).

6.4. Controlling the speed (throttle)

- Using the throttle (A) you can control the speed with the thumb of your right hand.
- By applying greater pressure, the speed increases, by reducing the pressure, the speed will drop.
- When you let go of the throttle, the speed will drop, the pulling device will roll to a standstill.



Quad controls

Quad control throttle is operated by pulling the lever (B) .



⚠ DANGER!

- Always adapt your speed to your environment in order to avoid collisions (risk of injury).
- Familiarise yourself with the way your combined unit handles cornering before you drive at higher speeds (risk of injury).
- Before activating the throttle always check that the direction control switch is set to the required direction of travel.
- Always switch the pulling device off when docking and de-docking as well as when it is not being used in order to prevent accidental activation of the throttle.

NOTE:

- Driving at full throttle for long periods of time can mean that the motor is subject to extreme thermal load. In order to avoid overheating, the power will be restricted until the motor reaches a normal operating temperature again.

6.5. Selecting the drive levels

- Different drive levels (1, 2, 3) can be selected using the display, these determine the max. achievable speed in that particular Drive level.
- The drive levels can be selected using the “+” and “-” buttons on the display. The selected drive level will be shown in the top right of the display.

NOTE:

- The max. speed and max. motor performance will only be achieved in drive level 3.

6.6. Cruise control



- By using the yellow pushbutton (A) which is integrated into the housing of the direction control switch, the current speed of the pulling device can be maintained (cruise control) without having to hold the throttle.
- Accelerate the pulling device to the required speed and then press the yellow push button. The pulling device will now hold that speed, even if you let go of the throttle.

- By pressing the pushbutton again or activating the brake (both mechanical and also the electrical brake), the cruise control will be deactivated immediately.
- When the cruise control is activated, it is not possible to accelerate using the throttle, to do this you will need to deactivate the cruise control.

⚠ DANGER!

- The cruise control can only maintain the set speed in terms of available motor power. If you are going up a slope with the cruise control activated, the speed may go down.
- When going downhill with the cruise control activated, it will attempt to maintain the set speed with the aid of the electrical motor brake. At the point when the slope is too steep and the electrical brake is no longer sufficient, the speed will increase. If necessary, you will need to activate the mechanical brake in order to maintain the required speed.

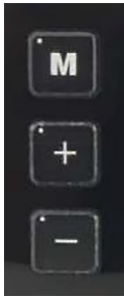
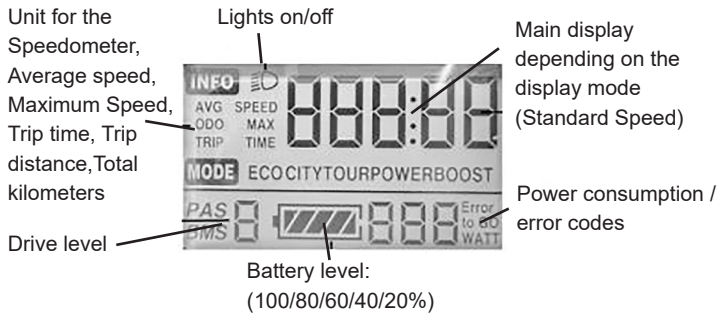
⚠ DANGER!

- Familiarise yourself with how the cruise control works before you use it. Practice activation/deactivation at low speeds.
- Even with the cruise control activated, you need to be constantly attentive and be ready to brake.
- Pay particular attention to your speed when going downhill with the cruise control activated. Control the speed manually if necessary using the mechanical brake (risk of injury).

NOTE:

- If you do not use your pulling device for long periods of time, we recommend that you switch your pulling device on every 4 weeks and allow the wheel to rotate for approx. 5 minutes at low speed in order to guarantee that the grease that is there is distributed over all bearing positions, this will prevent corrosion of the bearings.

6.7. Functions of the display



M Switching on and off

+ Selection of the drive level; Lights on/off

- Selection of the drive level

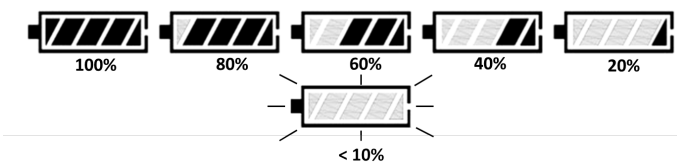
- After the pulling device is switched on by pressing the “On/Off” button for 2 seconds (also see “Switching on and off”) the display shows the current speed in the main screen and the total kilometres in the additional display. In addition, the selected drive level (after switching on, drive level 1 is pre-selected) as well as the current battery capacity is displayed.

6.7.1 Lights:

The lights can be switched on or off by pressing the “+” button for 2 seconds. This is displayed by the relevant symbol on the display (upper left corner).

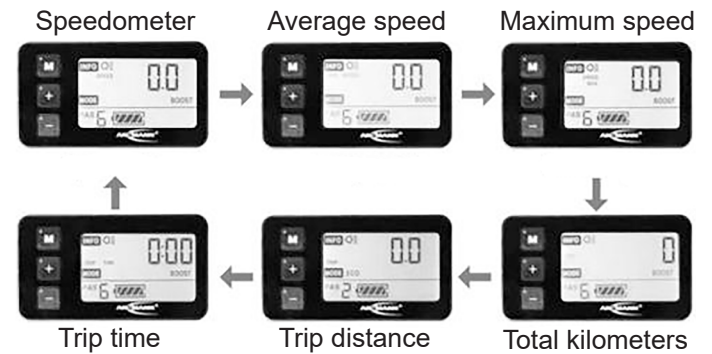
6.7.2 Battery capacity:

This is displayed in 20% steps. As soon as the battery display starts to flash, the battery must be charged immediately.



6.7.3 Display mode:

By pressing the “On/Off” button you can now select different display modes:



1. Display mode: “SPEED” - Speed
2. Display mode: “AVG SPEED” - Average speed
3. Display mode: “SPEED MAX” - Maximum speed driven
4. Display mode: “ODO” - Odometer, total distance driven
5. Display mode: “TRIP” – Total distance driven, since last trip clear (see section deleting the trip meter)
6. Display mode: “TRIP TIME”- Total drive time since last trip clear (see section deleting the trip meter)

⚠ DANGER!

- Only carry out setting work when the device is stationary and never when driving.

6.7.4 fault code display:

when the electronics detect faults in the system, these are displayed in the form of fault codes on the display.



The fault code is always shown in the bottom right corner of the display.

Error Codes Display	
Fault code	Description
30	Communication error

Error Codes Controller	
Fault code	Description
13	Overheating error
14	Voltage error
15	Motor output error
16	Processor error
17	Anti-rotation protection motor error
19	Speed sensor error
21	Overcurrent / MOSFET error
22	Throttle control error
23	Motor phase error
24	Hall sensor error
25	Brake signal error

Faults can arise once sporadically. Each time the device is restarted, the fault code is deleted. If the fault should arise again, we recommend that you make a note of the fault code and contact your dealer.

6.7.5 Settings:

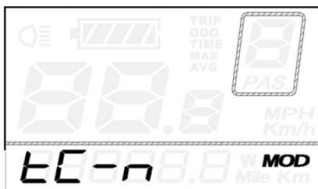
You can open the settings menu in order to carry out basic settings by pressing the + and - button for 2 seconds.

NOTE:

- These settings can only be carried out when stationary.

1. Deleting the tripmeter:

press the “+” and “-” buttons at the same time and keep them pressed for 2 seconds. The menu opens.



The display shows “tC-n”, pressing the “+” button you can toggle between “tC-n” (do not zero daily kilometres) and “tC-y” (zero daily kilometres). Select “tC-y” to zero the odometer and press the “On/Off” button for 2

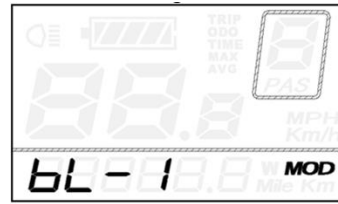
seconds in order to confirm the entry and leave the menu.

or

Press the “On/Off” button briefly to confirm and toggle to the next menu point.

2. Adjusting the brightness of the display backlighting:

“bL” (“backlight”) will now be shown in the display and the display backlight will be switched on.



In order to adjust the brightness, you can select between three brightness levels (bL-1/ bL-2/ bL-3) using the “+” and “-” buttons. Press the “On/Off” button for 2 seconds to confirm the entry and leave the menu.

or

Press the “On/Off” button briefly to confirm and toggle to the next menu point.

Acceleration adjustment:

“SSP” will now be shown in the display.

In order to adjust the acceleration, you can select between four acceleration levels (SSP:1/ SSP:2/ SSP:3/ SSP:4) using the “+” and “-” buttons (1=high acceleration / 4=low acceleration). Press the “M” button for 2 seconds to confirm the entry and leave the menu.

SSP:1 max acceleration

SSP:2 high acceleration

SSP:3 medium acceleration

SSP:4 low acceleration

To save the settings and return to home screen press M for two seconds.

or

Press the “On/Off” button briefly to confirm and toggle to the next menu point.

6.7.6 Changing the units:

“U” (“Unit”) will now be shown in the display.

Using the “+” and “-” buttons you can toggle between “U-1” (miles/mph) and “U-2” (kilometre/kph). Press the “On/Off” button for 2 seconds in order to confirm the entry and leave the menu.

7.0 Battery and charger




7.1 Introduction

The battery delivered with the product must only be used to drive the Empulse StreetJet from Sunrise Medical. No other components may be connected to it. Any other use requires the written authorisation of the manufacturer.

This operating manual only describes the use of the above-mentioned battery and corresponds to the state of the art at the time of print.

The manufacturer reserves the right to make changes resulting from further development of the mechanics, software or legal requirements. The manufacturer regards uses including the following as misuse of the battery:

- Use of the battery that contravenes the instructions and recommendations in this operating manual.
- Exceeding the technical limits laid down in this operating manual.
- Technical modifications to the battery.
- Changes to the software of the battery.
- Unauthorised attachments or use of the battery.
- The manufacturer shall not be liable for any damage caused by improper use of the battery.

Word	Definition
 DANGER!	Advice to the user of Potential Risk of serious injury or death if the advice is not followed
 WARNING!	Advice to the user of a risk of injury if the advice is not followed
 CAUTION!	Advice to user that potential damage to equipment may occur if the advice is not followed
NOTE:	General advice or best practice

7.2 Safety instructions for the battery and charger

WARNING!

Read and observe the following safety instructions and precautions before activating the battery and before starting the charging process.

DANGER!

- Failure to comply with the safety precautions and instructions may damage the product or result in electric shock, fire and/or serious injuries.
- The lithium-ion battery contains chemical substances, which may cause hazardous reactions if the safety instructions specified here are disregarded.

CAUTION!

The manufacturer accepts no liability for damage resulting from non-compliance with these instructions.

Safety instructions and precautions on the use of the battery:

WARNING!

- Before using for the first time, the battery should be fully charged.
- The battery must only be used at temperatures between -15 °C and 45 °C.
- The battery must not be exposed to heat (e.g. radiators) or fire. External heat exposure can lead to the battery exploding.
- In the (unlikely) event of the battery overheating or catching on fire, you must ensure that the battery does not come into contact with water or other liquids. The only suitable extinguishing agent that is recommended by the cell manufacturers is sand.
- If possible, charge the battery after every use.
- For use for any other purpose than the one intended by Sunrise Medical, you will require the written authorisation of the manufacturer.
- The battery must not be opened or taken apart. Improper opening or wilful destruction of the battery involves the danger of serious injury. In addition, opening the battery voids any warranty claim.
- Never connect the battery contacts in the charging socket to metallic objects, or ensure that the contacts never come into contact with metallic objects (for example with metal filings).
- If the charging socket is dirty, clean it with a clean and dry cloth.
- Never immerse the battery in water.
- The useful life of the battery depends, among other things, on its storage location. Consequently, never leave the battery in hot locations for prolonged periods. In particular, use the boot of a car parked in the sun only for transport rather than as a storage location.

- The battery must not be subjected to mechanical impact. However, if this should happen, the battery must be checked by the manufacturer. Contact your servicing agent. You must not continue to use a damaged battery.
- If damaged or defective, the battery must be singled out and checked. Please contact your specialist dealer and discuss with them the next steps with regard to return and repair. The defective/damaged battery must not be used again or opened.
- Always ensure that the battery is kept clean and dry.
- Charge battery on a fire-and-heat-resistant underground. Do not place easily flammable or flammable objects close to the battery.
- Mishandling can lead to overheating, fire or explosions.

Safety instructions and precautions on how to store the battery:

⚠ WARNING!

- Protect the battery immediately upon separating from the battery charger or motor. Never allow any moisture or foreign particles (e.g. metal fragments, small nails, filings or other conductive metals) to get into the battery.
- Do not expose the battery to moisture of any kind during storage (water, rainwater, snow, etc.).
- Before storing it, charge the battery and check its charge status every 3 months.
- Store the battery in a cool and dry location where it is safe from damage and unauthorised access.
- To achieve the optimum battery service life, it should be stored at a temperature from 10°C to 25°C and at a humidity of 20% to 75%.
- Battery storing conditions can be found in technical specification section.
- Avoid direct sunlight.
- When the battery is not in use, recharge it at least every 12 weeks to prevent damage.

Safety instructions and precautions on the charging process:

⚠ WARNING!

- Only charge the battery in a ventilated, dry and dust-free environment.
- Do not charge the battery in the presence or vicinity of flammable liquids or gases.
- Do not expose the battery to moisture of any kind during charging (water, rainwater, snow, etc.).
- Do not carry out the charging process in rooms where moisture may affect the battery.
- The battery must only be charged at temperatures between 0 °C and 40 °C. If you attempt to carry out a charging process outside of this temperature range, the battery mechanism automatically switches off the charging process.
- Only use the designated charger to charge the battery. Your specialist dealer can provide the relevant information.

⚠ DANGER!

- Using an unsuitable battery charger can lead to malfunction and result in the battery having a limited service life. There is also a danger of fire and explosion.
- When the charging process is complete, disconnect the charger from the mains socket first before disconnecting it from the battery.
- Ensure adequate air circulation as soon as the battery is charged. In principle, only charge the battery under supervision.
- Damaged batteries must not be recharged or used any further.
- Damaged battery chargers (damage to the plug, housing, cable) must not be used.

Safety information and precautions on how to transport and ship the battery:

⚠ WARNING!

- Lithium-ion cells are used in the battery. Transport and shipping of the battery are, therefore, subject to all applicable statutory requirements, which must be strictly observed. For instance, a defective battery must never be transported by plane.
- If your battery is defective, take it personally to your specialist dealer as shipping lithium-ion batteries by post or other carriers is subject to strict rules and regulations. Once again, we recommend that you contact your specialist dealer.
- As transport regulations may change annually, we strongly recommend that you consult your travel operator, airline or shipping line before you set out on your trip in order to learn about the current applicable regulations. A defective battery must not be taken on a plane or put in your luggage.

NOTE:

- If your battery is fitted to the pulling device when being transported, relaxed transport regulations apply in accordance with UN3481.
- Make sure you keep the packaging container of the battery in case you need to transport it.
- Discuss transportation with your specialist dealer prior to shipping.

Safety information and precautions on the charger:

⚠ WARNING!

- Before starting the charging process, read and follow all instructions and precautions enclosed with the charger and the following precautions and safety information.
- Only use the designated charger to charge the battery. Your specialist dealer can provide the relevant information.
- When the charging process is complete, we recommend disconnecting the charger from the mains socket first before disconnecting it from the battery.
- Do not expose the charger to moisture of any kind during charging (water, rain water, snow, etc.).
- Do not carry out the charging process in rooms where moisture may affect the charger.
- Be aware of condensation. If the charger is brought from a cold room into a warm room, condensation may form. In this case, refrain from using the charger until all condensation has dissipated. Please note that this may take several hours.
- Never carry the charger by its power cable or the charger cable.
- Never tug at the power cable to disconnect the charger from the mains socket.
- Never subject cable and plug to any pressure. Overstretching or bending the cable, pinching a cable between a wall and a window frame or placing heavy objects on a cable or a plug may result in electric shock or fire.
- Lay the power cable and the attached charging cable so that nobody can step on it or trip over it and so both cables are protected against any other harmful effects or stress.
- Do not operate the charger if the power cable, the charging cable or the plugs attached to the cables are damaged. Damaged parts must be replaced immediately by the authorised specialist dealer.
- Do not use or disassemble the charger when it has received a hard blow or was dropped or damaged in another way.
- The charger must not be used by children.
- Never attempt to disassemble or modify the charger.
- Do not cover the charger during the charging process or place any objects on top of the device.
- Never connect the terminals of the charging plug with any metal objects.
- Ensure that the plug is firmly inserted in the socket.
- Never touch plugs with wet hands.
- Do not use the plug of the charger and/or the mains plug if they are wet or dirty. Before inserting it, clean the plug using a dry cloth.

7.3. Notes for transportation in aeroplanes

Shipping lithium-ion batteries or taking them with you on aeroplanes is strictly regulated. The guidelines may vary depending on the airline. In all cases, contact your airline or carrier, before you transport or want to send a device on an aeroplane which operates on lithium-ion batteries.

⚠ WARNING!

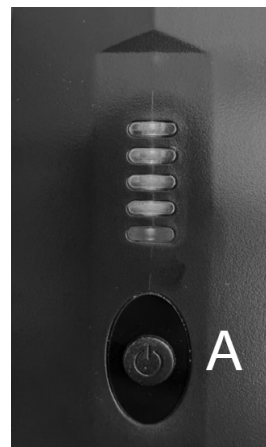
- The battery of the Empulse StreetJet contains lithium-ion cells. For shipping or transportation, you must comply with the relevant legal guidelines.
- The guidelines for shipping lithium-ion batteries or transportation in an aeroplane may change. It is essential that you contact your airline or travel operator in order to obtain information about the current guidelines before you start a trip or plan shipping.
- Defective batteries cannot be transported in an aeroplane under any circumstances.
- If your battery is defective, please contact your dealer to find out how to proceed. In this case, special conditions apply for transporting hazardous products.
- In all cases switch the battery off for transportation and protect the contacts on the underside of the battery against short circuiting.

7.4. Switching the battery on and off

The battery has an on/off switch on its housing (A). The current will only flow when the battery is switched on. The pulling device can only be switched on if the battery is switched on.

To switch on, proceed as follows:

- Press the ON/OFF button on the housing of the battery quickly. The red LED indicates that the battery is turned ON.
- To switch off, you need to press the ON/OFF button (A) again for 2 seconds.
- The battery will automatically shut off after 60 minutes.



NOTE:

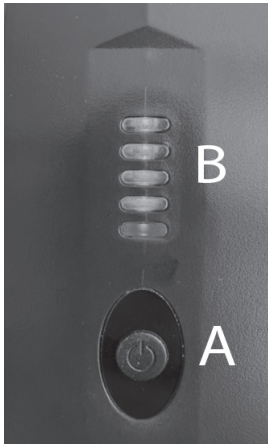
- Always switch the battery off when the pulling device is not being used. In this way, you can guarantee that no current will flow and the risk of self discharge of the battery is as small as possible.

⚠ WARNING!

- Always switch the battery off before you remove the pulling device.

7.5. Charge status display for the battery

The battery has an integrated charge status display. This is fitted on the front side of the battery. Using this display you can check the charge status of the battery quickly and easily.



- Press the ON/OFF button (A) quickly
- 4 green LED (B) means 100% charged, 3 LED= 75%, 2 LED= 50%, 1 LED=20%
- The display will go back off after approximately 10 seconds.

7.6. Detaching the battery

- The battery can be removed for charging or as protection against theft.
- In order to prevent unauthorised removal of the battery, the battery is fixed to the battery bracket with a lock.
- The battery can be removed as follows:
 - Switch the battery off (see “Switching the battery on and off”).
 - Open the lock using the key. To do this insert the key into the lock and then rotate it 90° anti-clockwise until it reaches the stop. Keep it in this position.
 - The battery can now be tipped to the right (in the direction of travel). To do this hold the battery at the top and push it to the side.
- To fit, insert the lower part of the battery into the floor plate of the battery bracket, then push the upper part of the battery gently against the battery bracket and push to the left (in the direction of travel) until the battery clicks into the battery bracket.



NOTE:

- The pulling device is delivered with two identical keys. Always store the keys separately and make a note of the key number.

7.7. Charging the battery

Fully charge the battery before its first use. The battery capacity upon delivery is generally 30%. The battery can be charged at any capacity without adversely impacting its service life. The battery achieves its maximum service life when it is charged at an ambient temperature of between +10 °C and +25 °C.

- The battery can be removed for charging but can also be charged when fitted to the pulling device.
- To charge, connect the battery to the charger delivered with the product. Remove the rubber bungs from the charging socket of the battery, then plug the charging plug into the charging socket and tighten the cap nut.
- Now plug the mains plug of the charger into a socket
- During the charging process, the LED on the charger will be illuminated in red.
- When the battery is fully charged, the LED on the charger will change to green.
- The LEDs of the charge status display of the battery also display the current charge status of the battery.

NOTE:

- Before inserting the plug in the socket, ensure that both parts are clean and there are no metallic particles on them. If you detect such particles, use a dry and clean cloth to remove them.
- During the charging process, the pulling device cannot be used.

WARNING!

- Do not leave the batteries/battery pack unattended while charging.
- The charging process ends automatically as soon as the battery is fully charged. This avoids overcharging.
- Do not leave the charger connected to the mains socket any longer than necessary.
- When the charging process is complete, disconnect the charger from the mains socket first before disconnecting it from the battery.
- Before using the device, always check the charge status of the battery.
- The battery should be fully charged prior to use in order to provide motorised support at all times.
- The battery may only be charged in a dry room at temperatures between 0° and 40° C.
- We recommend charging the battery fully before longer periods of storage, eg, before a winter break and re-charge regularly (approx. ever 12 weeks).

7.8 Battery warranty:

Battery warranties are subject to periods set by the manufacturers. However, most of these warranties are subject to a wear and tear clause, and if you genuinely wear out your batteries in 24 months, it will not be possible to obtain a replacement under warranty.

8.0 Maintenance and troubleshooting

The pulling device is equipped with an 12" or 16" wheel. Make sure that the tyres are always at the recommended tyre pressure, as this will significantly affect the driving characteristics. If the tyre pressure is too low, movement and manoeuvrability is made more difficult due to the increased rolling resistance and this also increases the amount of effort required.

The optimum tyre pressure (usually 3-4 bar) is indicated on the tyre wall.

8.1. Fitting and repairing the tyre:

To remove the wheel/tyre:

- Switch the battery off and carefully remove it from the pulling device.
- Unplug the cable which connects the drive wheel to the pulling device at the connection. Make sure that no dirt or moisture can get into the plug and clean the contacts with a clean, dry cloth. Do not use lubricating or penetrating oil to clean the contacts.
- Remove the drive wheel, by undoing the nuts which are used to screw the drive wheel onto the fork on both sides and then pull the drive wheel downwards off the fork.
- Now pull the tyres off the rim using two plastic tyre levers.

Before fitting a new inner tube:

Inspect the base of the rim and the tyre inner wall for foreign bodies and if necessary clean thoroughly. Check the condition of the rim tape, particularly at the valve hole. Only well fitting, strong rim tape offers long-term protection against inner tube damage through burrs and sharp spoke heads.

To refit:

- Place the tube inside the tyre and rest the tyre on the rim.
- Align the valve stem with the cut out in the rim.
- Face the valve stem outward.
- Slowly inflate to 3-4 bar pressure
- Insert the drive wheel into the fork.
- Tighten the wheelnuts with 40NM.
- Connect the motor cable plug to the pull device, Make sure that there is no dirt or moisture into the plug and clean the contacts with a clean, dry cloth. Do not use lubricating or penetrating oil to clean the contacts.
- Carefully insert and switch on the battery.

DANGER!

Make sure you use the right torque for the wheel nuts on the left and right of the fork (40 Nm). After fitting, check the tyre pressure again.

8.2 Regular maintenance

Your pulling device is subject to high levels of stress when being used, and requires regular checks in order to guarantee your safety.

DANGER!

Carry out the visual inspections/maintenance as described below regularly, at least every 4 weeks, and ideally before you set off each time:

- Make sure that all screws and fasteners are secure.
- Functional and safety check of all lights (if fitted).
- Functional/safety check of the docking system (pulling device and wheelchair) to make sure they are secure and check for wear.
- Check the brake pads for wear and that the brakes work properly. The disk brake must be re-adjusted/maintained regularly by a dealer.
- Check function of the disk brake (get your dealer to replace cables and brake pads if needed).
- Visual inspection of the fork and intermediate sub-frame for damage (e.g. cracks, corrosion, deformation etc.).
- Visual inspection of the wheelchair frame and back tubes for damage (e.g. cracks, deformation, etc.)”.
- Check tyres (tread, cracks, damages) and replace if needed.
- Check the spoke tension and the rim and hub of all wheels (wheelchair wheels as well) for damage.
- Check all cable and electrical connectors.
- Check that the steering head and handlebar are secure.

8.3 Electrical system

If fault codes arise, or the electrical system of the pulling device does not function as intended:

- Contact your dealer.
- Switch the pulling device on and push it forwards 1 m by hand – check that it is working again
- Switch the battery off and carefully remove it from the pulling device.
- Check all freely-accessible plug connections for dirt or moisture. Clean the contacts if necessary with a clean, dry cloth. Use contact spray if necessary, but do not use lubricating or penetrating oil to clean the contacts under any circumstances.

9.0 Technical Specifications

General data	
Operating voltage	36 Volt
Range of action	up to 50km* (with 14 Ah battery) / up to 26km* (with 8 Ah battery)
Max. speed options	6 kph; optional 10/15/20 kph (speed can be regulated in 3 levels)
Climbing power (nominal)	up to 11% (6°)
Dynamic stability (rated slope)	6° / 10.5%
Flammability standards	tested according to EN 12184
Max. load	120 kg
Total weight	From 15.5 kg (with 14 Ah battery) / From 15 kg (with 8 Ah battery)
Storage device temperature	Tested according to ISO 7176-9 which allows operation temperature of -25 to +50 °C and a storage temperature of -40 to +65°C

	12"	16"
Total length (max.)	638mm	667mm
Total width (max.)	580mm	580mm
Total height (max.)	803mm	850mm

Motor data		
Wheel size	12"	16"
Rated voltage	36 Volt	36 Volt
Power	250 W (Nominal) 630 W (Max)	250 W (Nominal) 750 W (Max)
Maximum torque	40Nm	60Nm
Protection rating	IP44	IP44
Motor noise	max. 65 +/-5 dbA in 1 m gap	max. 65 +/-5 dbA in 1 m gap
Warranty	2 years	2 years

Battery data	
Battery type	Lithium-ion
Rated voltage	36 Volt
Capacity	14 Ah / 8 Ah
Electrical power	504 Wh / 288 Wh
Discharge current	15 A (continuous) 18 A (less than 10 minutes) 35 A (less than 5 seconds)
Charging time	7-8 hours (approx. at 2.0 A charging current for 14 Ah battery) / 3.5-4 hours (approx. at 4.0 A charging current for 14 Ah battery).
Charging temperature range	0 - 40°C
Operating temperature	-15° to 45°
Storage temperature range	-15° to 45°C (up to 1 month) / -15° to 35°C (up to 6 months)
Maximum number of charging cycles	1000
Protection rating	IP65
Warranty	2 years
Display	State of charge
Functions	On/off switch
Weight of battery pack:	2.6kg (14 Ah) / 2.1kg (8 Ah)

Battery Charger	
Input	100-240V AC
End-of-charge voltage	42 Volt
Charging current	2.0A / 4.0A
Protection Rating	IPx4

Controller	
Rated voltage	36 Volt
Max. current	15 A
Protection rating	IP54

Display	
Displays	State of charge of battery Drive level Total / Trip distance Travelled Trip Time Travelled Current speed in kph/ mph Average speed Maximum Speed Current motor power in Watt Error Codes

Thumb throttle	
Protection rating	IPX4

Thumb brake	
Protection rating	IPX4

Control unit forwards/backwards, cruise control	
Protection rating	IPX4

Mechanical brake	
Protection rating	IPX4

* The range depends on terrain and the prevailing driving conditions. The specified max range of action is valid for optimum travel conditions (level terrain, a newly recharged battery pack, ambient temperature of 20 °C, smooth travel, etc.). At lower temperatures, the range of the pull device may be lower than the range specified.

10.0 Notes on storage

Battery:

- Protect the battery immediately upon separating from the battery charger or motor. Never allow any moisture or foreign particles (e.g. metal fragments, small nails, filings or other conductive metals) to get into the battery.
- Avoid storage in humid areas to prevent corrosion on the plug contacts.
- Do not expose the battery to moisture of any kind during storage (water, rainwater, snow, etc.).
- Before storing it, charge the battery and check its charge status every 3 months.
- Store the battery in a cool and dry location where it is safe from damage and unauthorised access.
- To achieve the optimum battery service life, it should be stored at a temperature from 10°C to 25°C and at a humidity of 20% to 75%.
- Do not keep your battery in places where the temperature exceeds 45°C or is less than -15°C.
- Avoid direct sunlight.
- When the battery is not in use, recharge it at least every 12 weeks to prevent damage.

Pulling device:

- Store the pulling device in a dry place, protected from rain and snow.
- Cover the pulling device during long-term storage in order to protect it from dust.
- Do not store the pulling device at temperatures above 45°C or below -15°C.
- If you do not use your pulling device for long periods of time, we recommend that you switch your pulling device on every 4 weeks and allow the wheel to rotate for approx. 5 minutes at low speed in order to guarantee that the grease that is there is distributed over all bearing positions, this will prevent corrosion of the bearings.
- After a long period of storage, check that the brakes are working and check the condition of the tyres before setting off.

11.0 Cleaning and hygiene

Cleaning:

- The pulling device should be cleaned regularly and after each bigger journey with commercially available, household cleaning agents and a little bit of water.
- The display, battery and all other electronic components may only be cleaned by wiping with a damp (not wet) cloth.
- The drive wheel can be cleaned with a soft sponge or a soft brush.
- The clamps on the wheelchair and the docking system can be cleaned with water, a soft sponge or a soft brush (recommended after each ride).
- After cleaning please, a penetrating oil (e.g. Ballisto WD 40, Caramba, etc.) can be used to lubricate the moving parts of the docking mechanism.

CAUTION!

- Never use steam or high pressure to clean the device.
- Never use any abrasive cleaning agents or aggressive, acidic cleaners.
- Make sure that water will not get into contact with the electrical connectors.

Hygiene measures when being re-used:

Prior to the wheelchair being re-used, it must be carefully prepared. All surfaces which come into contact with the user must be treated with a disinfection spray.

To do this, you must use a disinfectant as authorised/recommended in your country, for rapid alcohol-based disinfection for medical products and medical devices, which must be disinfected quickly.

Please be aware of the manufacturer's instructions for the disinfectant you are using.

In general, a complete disinfection cannot be guaranteed on seams. We therefore recommend that you dispose of seat and back slings to avoid micro-bacterial contamination with active agents according to your local infection protection law.

12.0 Disposal and recycling

NOTE: If the pulling device has been made available to you as part of a charity or medical loans scheme, then it may not belong to you. If it is no longer required, then follow the instructions to return it as given by the organisation that made the pulling device available to you.

Electrical and electronic equipment need to be disposed of separately to general household waste at specific state-provided locations. The correct disposal and separate collection of used appliances serves to prevent potential damage to health and the environment. It is a requirement for the re-utilisation and recycling of used electrical and electronic equipment.

Detailed information on the disposal of your used equipment can be obtained from your local authority, your waste disposal service, the specialist dealer from which you purchased the product, or your sales contact.

This information only applies to equipment which is installed and sold in the countries of the European Union and which is subject to the European directive 2002/96/EC. In countries outside of the European Union, deviating conditions apply to the disposal of electrical and electronic waste.

Materials Used:

In the following section, there is a description of the materials used on the pulling device, in view of the disposal or recycling of the pulling device and its packaging. There may also be special local regulations in force with regard to disposal or recycling, these must be taken into account when disposing of your pulling device. (This can include the cleaning or decontamination of the pulling device prior to disposal).

Aluminium:	Wheels, parts of the frame, main brake lever, handlebar, docking clamps, fork and subframe
Steel:	Steering tube, frame and sub-frame
Plastic:	Handles, plugs, housing parts, tyres and clamp covers
Packaging:	Made of soft polyethylene, cardboard
Battery:	Lithium-ion battery (hazardous product)
Carbon Fibre:	Fender

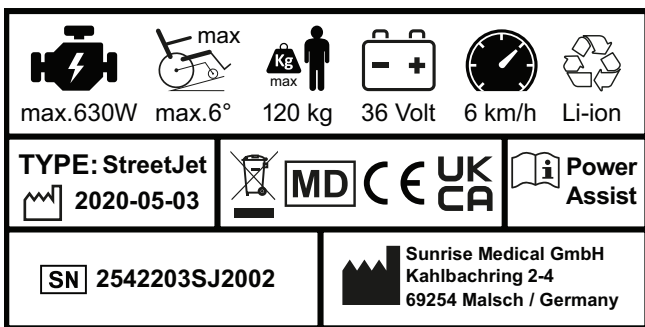
Please see battery section for more detailed information.



13.0 Nameplate

The nameplate is located on the frame as well as on a label in the owner's manual. The nameplate indicates the exact model designation and other technical specifications. Please provide the following pieces of information whenever you have to order replacement parts or to file a claim:

SAMPLE



Sunrise Medical Limited
Thorns Road, Brierley Hill
West Midlands, DY5 2LD
UNITED KINGDOM



ISO 7010-M002
Instruction manual/booklet must be read! (Blue Icon)

Type:	Product Name/SKU Number.
max X°	Maximum safe slope, depends on wheelchair/ add-on bike setting, posture and physical capabilities of the user.
XXX kg	Load Maximum.
	UKCA Mark
	CE Mark
	Directions for use
X km/h	Max speed.
XX Volt	Electrical voltage / V=Volt.
XXX Watt	Motor performance
	Cells contain lithium
	Must not be disposed of as household waste
	Serial number
	This symbol means Medical Device
	Manufacturer's address.
	Date of manufacture.
	Importer's address
	UK responsible person
	Swiss representative's address
	Symbol for wheelchair not intended to be used as a seat in a motor vehicle.

As we are committed to continually improving the construction of our wheelchairs and pull devices, product specifications may vary slightly from the examples illustrated. All weight/dimensions and performance data is approximate and is provided solely for guidance.

All pull devices must be used in accordance with the manufacturer's guidelines.





Sunrise Medical GmbH
Kahlbachring 2-4
69254 Malsch/Heidelberg
Deutschland
Tel.: +49 (0) 7253/980-0
Fax: +49 (0) 7253/980-222
kundenservice@sunrisemedical.de
www.SunriseMedical.de

Sommaire

Avant-propos	33
Utilisation	34
Champ d'application	34
1.0 Consignes générales de sécurité et limites de conduite	35
Consignes relatives à la sécurité – avant chaque utilisation.	36
Consignes relatives à la sécurité – pendant l'utilisation	36
Consignes relatives à la sécurité - après chaque utilisation :	36
2.0 Garantie	37
Limite de responsabilité	37
3.0 Manipulation	38
Livraison :	38
Déballage :	38
Réglage du guidon :	38
Installation de l'écran :	38
Entreposage :	38
Sécurité :	38
4.0 Amarrage initial du dispositif de traction au fauteuil roulant	39
4.1 Montage des attaches sur le fauteuil	39
4.2 Installation du dispositif de traction et réglage de l'angle d'inclinaison	40
5.0 Amarrage et décrochage du dispositif de traction par l'utilisateur	43
5.1 Accrochage	43
5.2 Décrochage :	43
6.0 Fonctionnement	44
6.1 Freins	44
6.2 Mise sous et hors tension	44
6.3 Sélection du sens du déplacement	45
6.4 Contrôle de la vitesse (accélérateur)	45
6.5 Sélection du niveau de conduite	46
6.6 Régulateur de vitesse	46
6.7 Fonctions de l'écran d'affichage	47
7.0 Batterie et chargeur de batteries	49
7.1 Introduction	49
7.2 Consignes de sécurité relatives à la batterie et au chargeur	49
7.3. Remarques relatives au transport aérien	51
7.4. Mise sous et hors tension de la batterie	51
7.5. Indicateur d'état de charge de la batterie	52
7.6. Retrait de la batterie	52
7.7. Charge de la batterie	53
7.8 Garantie des batteries :	53
8.0 Maintenance et dépannage	53
8.1. Montage et réparation des pneus :	53
8.2 Entretien régulier	54
8.3 Système électrique	54
9.0 Caractéristiques techniques	55
10.0 Remarques sur l'entreposage	57
11.0 Nettoyage et entretien	57
12.0 Mise au rebut et Recyclage	58
13.0 Plaque signalétique	59



Définitions des termes employés dans le manuel

Terme	Définition
 DANGER !	Indication d'un risque potentiel de blessures sérieuses ou de mort en cas de non-respect des consignes
 AVERTISSEMENT !	Indication d'un risque de blessure en cas de non-respect des consignes
 ATTENTION !	Indication que le matériel peut être endommagé si le conseil fourni n'est pas suivi
REMARQUE :	Conseil d'ordre général ou pratique recommandé
	Référence faite à d'autres manuels

REMARQUE :

- Il vous est conseillé de noter dans l'encadré prévu ci-dessous les coordonnées du technicien chargé de votre service après-vente.
- En cas de panne, contactez-le en lui donnant le plus d'informations possible sur la nature de la panne pour qu'il puisse vous aider efficacement et rapidement.
- Il est possible que le dispositif de traction illustré et décrit dans le présent manuel ne soit pas totalement identique au modèle que vous avez acheté. Toutefois, toutes les instructions fournies dans le présent manuel sont valables pour votre matériel, malgré d'éventuelles différences minimales.
- Le fabricant se réserve le droit de modifier sans préavis les poids, mesures et autres données techniques indiquées dans le présent manuel. Tous les chiffres, dimensions et capacités indiqués dans ce manuel sont approximatifs et ne constituent pas des caractéristiques.

Dealer signature and stamp

Avant-propos

Chère cliente, cher client,


Vous avez choisi un produit de SUNRISE MEDICAL de grande qualité. Nous nous en réjouissons.

Vous trouverez dans ce manuel d'utilisation de nombreux conseils et suggestions pour faire de votre nouveau dispositif de traction un partenaire fiable au quotidien.

Pour Sunrise Medical, être proche de nos clients est une priorité. C'est pourquoi, nous tenons à vous informer de toutes nos nouveautés, actuelles et à venir. Être proche de nos clients signifie, assurer un service rapide, avec le moins de formalités administratives possible et entretenir une bonne relation avec eux. Pour tout renseignement sur les pièces de rechange ou les accessoires, ou pour toute question concernant votre dispositif de traction, n'hésitez pas à nous contacter. Nous restons à votre entière disposition.

Notre objectif est que vous soyez satisfait de nos services. Chez Sunrise Medical, nous travaillons en permanence au développement de nos produits. Ainsi, des modifications quant à la forme, à la technique et à l'équipement peuvent être apportées à notre gamme de produits. Aucune réclamation ne pourra donc être adressée au sujet des informations et illustrations de ce manuel d'utilisation.

Le système de gestion de SUNRISE MEDICAL est certifié ISO 13485 et ISO 14001.

 **En sa qualité de fabricant, SUNRISE MEDICAL, déclare que ce fauteuil est conforme au règlement relatif aux dispositifs médicaux (2017/745).**

REMARQUE :

Conseil d'utilisation générale.

Le non-respect des présentes instructions peut causer des blessures physiques, l'endommagement du matériel ou la dégradation de l'environnement.

Avis à l'utilisateur et/ou au patient : Tout incident grave en rapport avec le dispositif doit être signalé au fabricant et aux autorités compétentes de l'État membre dans lequel réside l'utilisateur et/ou le patient.

Adaptations spéciales pour B4Me

Afin de vous assurer que votre produit B4Me fonctionne de manière performante comme prévu par le fabricant, Sunrise Medical vous recommande vivement de lire et de comprendre toutes les informations utilisateur fournies avec votre produit B4Me avant de l'utiliser pour la première fois.

Sunrise Medical recommande également que les informations utilisateur ne soient pas jetées après leur lecture, mais qu'elles soient conservées en toute sécurité afin d'être consultées ultérieurement.

Combinaison de dispositifs médicaux

Ce dispositif médical doit impérativement être utilisé conjointement à un autre dispositif médical ou produit. Vous trouverez les combinaisons possibles sur www.sunrisemedical.fr. Toutes les combinaisons présentées ont été validées et sont conformes aux exigences générales en matière de sécurité et de performances énoncées dans annexe I No. 14.1 du règlement 2017/745 relatif aux dispositifs médicaux.

Vous trouverez des conseils sur la combinaison, relatifs par exemple au montage, dans le présent manuel.

Pour toute question sur l'utilisation, la maintenance ou la sécurité de votre dispositif de traction, n'hésitez pas à vous adresser à votre revendeur SUNRISE MEDICAL agréé.

En l'absence de revendeur agréé près de chez vous et si vous avez des questions relative à la sécurité ou rappels de produits, contactez-nous par courrier ou par téléphone.

Sunrise Medical SAS
ZAC de la Vrillonnerie
17 Rue Michaël Faraday
37170 Chambray-Lès-Tours
Tel : +33 (0) 2 47 55 44 00
Email: info@sunrisemedical.fr
www.sunrisemedical.fr



Veillez lire attentivement le présent manuel avant d'utiliser votre dispositif de traction. Veillez respecter les consignes énoncées dans ce manuel d'utilisation.

Utilisation

Empulse StreetJet est un dispositif de traction électrique qui se fixe au fauteuil roulant afin de favoriser la mobilité de l'utilisateur et de faciliter ses activités quotidiennes. Il est prévu pour une utilisation à l'intérieur comme à l'extérieur.

La charge maximale combinée de l'utilisateur et des accessoires éventuellement fixés au dispositif de traction, est indiquée sur la plaque signalétique. La plaque signalétique est apposée sur le cadre et reproduite dans le manuel d'utilisation.

La garantie n'est valable que si le produit est utilisé dans les conditions spécifiées et pour l'usage pour lequel il est prévu.

Durée de vie

La durée de vie anticipée de ce produit est de 5 années, dans la mesure où :

- Il est utilisé conformément à l'usage pour lequel il est prévu.
- Tous les impératifs d'entretien et de maintenance sont respectés.

DANGER !

- N'équipez le fauteuil d'aucun dispositif électronique non approuvé.

Champ d'application

Le dispositif de traction permet à l'utilisateur de parcourir de longues distances de manière sécurisée, ergonomique et écologique à bord de son fauteuil roulant. Il étend considérablement le rayon d'action de l'utilisateur. Le fauteuil roulant fixé au dispositif de traction doit être équipé conformément aux exigences de la réglementation routière lorsqu'il est utilisé sur la voie publique, sur les trottoirs et dans les espaces publics.

Indications

Du fait de son ajustabilité et de sa conception modulaire, il peut être utilisé par les personnes qui ne peuvent pas marcher ou ont une mobilité limitée en raison de :

- Une paralysie
- La perte d'un membre (amputation de la jambe)
- Un problème/la difformité d'un membre
- Des contractures/blessures aux articulations
- Des maladies, telles qu'une insuffisance cardiaque et circulatoire, trouble de l'équilibre ou cachexie, et pour les personnes âgées ayant assez de force dans le haut du corps.

Contre-indications

Les dispositifs électriques de traction et d'assistance ne doivent pas être utilisés dans les cas suivants :

- Trouble de la perception
- Déséquilibre
- Perte des deux bras
- Contracture articulaire ou dommages articulaires au niveau des deux bras
- Incapacité à s'asseoir
- Incapacité physique et mentale à utiliser le dispositif de traction en toute sécurité dans toutes les situations d'utilisation (pilotage, freinage, ..)
- Incapacité à se conformer aux exigences légales du code de la route.

REMARQUE :

Il convient de noter que l'utilisation d'un fauteuil roulant exige un certain degré de capacités cognitives, physiques et visuelles. L'utilisateur doit être en mesure d'évaluer les conséquences de ses actions pendant l'utilisation du fauteuil roulant et, si nécessaire, les corriger. Ces capacités et l'utilisation sécurisée de composants supplémentaires fixés au fauteuil roulant ne peuvent être évaluées par le fabricant, Sunrise Medical. Nous déclinons toute responsabilité pour tout dommage découlant d'une telle situation.

Veillez prendre connaissance des consignes d'utilisation relatives au fauteuil roulant et aux composants accessoires embarqués. Communiquez à l'utilisateur les informations utiles sur l'utilisation sécurisée du fauteuil roulant et des composants accessoires embarqués. Communiquez à l'utilisateur les avertissements spécifiques qu'il est important de connaître et de respecter.

Etat de marche

Le dispositif de traction peut être utilisé sur des surfaces goudronnées et fermes de topographies différentes. Évitez les déplacements sur des surfaces meubles ou non goudronnées (par ex. gravillons, sable, boue, neige, glace ou flaques d'eau) susceptibles de présenter des risques imprévisibles pour l'utilisateur.

Nous vous informons que l'utilisation de l'Empulse StreetJet à une vitesse maximale supérieure à 6 km/h n'est autorisée sur la voie publique que dans certains pays. Pour les autres pays, l'utilisation est limitée à la propriété privée.

En l'absence d'approbation et conformément à la réglementation routière, l'utilisation de l'Empulse StreetJet n'est pas autorisée sur la voie publique, sur les pistes cyclables, ni sur les trottoirs. Il vous incombe de vous informer sur la législation en vigueur relative à l'utilisation de l'Empulse StreetJet dans le pays visé et à votre obligation légale d'assurer ce dispositif.

Lorsque vous voyagez à l'étranger avec votre StreetJet, vérifiez la législation en vigueur dans les différents pays.

1.0 Consignes générales de sécurité et limites de conduite

La conception et la construction du dispositif de traction ont été pensées pour garantir une sécurité maximale. A l'échelle internationale, toutes les exigences applicables en matière de normes de sécurité sont respectées, voire dépassées.

Toutefois, l'utilisateur peut se mettre en situation de danger s'il utilise son dispositif de traction de manière incorrecte. Pour votre sécurité, vous devez impérativement respecter les consignes suivantes.

Les altérations ou réglages non professionnels ou erronés augmentent le risque d'accidents. En tant qu'utilisateur du dispositif de traction, vous participez à la circulation publique, sur routes ou trottoirs. Vous êtes par conséquent tenu de respecter le code de la route.

Soyez vigilant lors de votre première utilisation de ce dispositif de traction. Familiarisez-vous avec votre dispositif de traction.

AVERTISSEMENT !

- Le non-respect de la charge maximale peut endommager le dispositif de traction, entraîner une perte de contrôle et résulter en des blessures graves pour l'utilisateur ou toute autre personne.
- Utilisez toujours votre dispositif de traction avec la plus grande prudence. Par exemple, ralentissez toujours avant de franchir des obstacles tels que des marches, des trottoirs, des bordures de chemins et des brèches.
- Le dispositif de traction n'est pas testé ni approuvé selon la norme ISO 7176-19. Il n'est pas donc permis de transporter l'utilisateur dans le fauteuil roulant avec le dispositif StreetJet amarré dans une voiture. Lors du transport de l'unité combinée dispositif de traction / fauteuil roulant à bord d'un véhicule, l'utilisateur doit quitter son fauteuil roulant et prendre place sur un siège du véhicule. L'unité combinée fauteuil / dispositif de traction (sans l'utilisateur) doit être solidement amarrée pendant le transport afin d'éviter son déplacement accidentel.
- Le dispositif de traction sert exclusivement au transport d'une seule personne à la fois. Toute autre utilisation n'est pas conforme à l'usage prévu du vélo.
- L'utilisation du dispositif de traction est réservée aux personnes dont l'état physique et psychologique permet de circuler sur la voie publique.
- N'oubliez pas que lorsque vous vous déplacez au milieu de la circulation, vous devez respecter toutes les réglementations relatives au code de la route.
- Les premiers temps, utilisez votre assistance avec une grande précaution.
- Familiarisez-vous avec les distances de freinage pour les différentes vitesses.
- Soyez sûr de connaître la réglementation routière.
- Pour obtenir un déplacement stable en marche avant, adoptez une conduite souple et sans à-coup, en particulier lorsque vous êtes en vitesse de croisière ou abordez un virage.
- Les véhicules à trois roues n'offrant pas la même stabilité que les véhicules à quatre roues, ils risquent de basculer lors de manœuvres brusques ou de vitesse excessive dans les virages.
- Lorsque vous vous déplacez, freinez ou manœuvrez, maintenez toujours fermement les deux mains sur le guidon. Vous réduirez ainsi le risque d'accident dû à une erreur de direction.
- La vitesse doit être adaptée à l'utilisateur, au terrain et aux caractéristiques techniques du dispositif de traction

- La nuit, à la tombée de la nuit et au lever du jour, allumez toujours vos feux.
- Utilisez-le sur les voies goudronnées (ou fermes) et non accidentées.
- Soyez prudent lorsque vous franchissez des trottoirs, marches, nids de poule, etc. car ces manœuvres représentent un risque accru de basculement.
- Adaptez votre style de conduite à vos capacités.
- Roulez lentement et prudemment, en particulier dans les virages.
- Le moteur peut chauffer : ne le touchez pas.
- Faites régulièrement réviser le dispositif de traction par votre revendeur. (au minimum une fois par an).
- Veillez à ne pas vous coincer les doigts dans les organes mobiles. Manipulez-les toujours délicatement.
- Si le dispositif de traction reste exposé au soleil/à des sources de chaleur externes ou au froid pendant des périodes prolongées, certaines pièces peuvent devenir très chaudes (>41 °C) ou très froides (<0 °C).
- N'utilisez pas le dispositif de traction si le temps est orageux, sous une forte pluie, dans la neige ou sur une chaussée glissante ou endommagée.
- N'utilisez que des accessoires ayant été approuvés par Sunrise Medical.
- La version standard de votre dispositif de traction a été testée conformément aux exigences réglementaires en vigueur relatives au rayonnement électromagnétique (exigences CEM). Malgré ces tests :
 - Le rayonnement électromagnétique peut avoir une influence sur les caractéristiques de conduite du dispositif de traction. Cette éventualité ne peut être exclue. Par exemple :
 - téléphonie mobile
 - appareil médical
 - générateurs de courant
 - source haute tension
 - autres sources de rayonnement électromagnétique
- Le dispositif de traction peut également créer des interférences avec les champs électromagnétiques. Par exemple :
 - portes de magasins
 - systèmes d'alarme antivol dans les magasins
 - systèmes d'ouverture de portes de garagesDans l'éventualité peu probable où se produirait un problème de ce type, veuillez le signaler immédiatement à votre revendeur.

DANGER !

RISQUE D'ÉTOUFFEMENT – Ce siège est composé de petites pièces qui, dans certaines conditions, peuvent présenter un risque d'étouffement pour les jeunes enfants. Il est possible que le dispositif de traction illustré et décrit dans le présent manuel ne soit pas totalement identique au modèle que vous avez acheté. Toutefois, toutes les instructions fournies dans le présent manuel sont valables pour votre matériel, malgré d'éventuelles différences minimes.

REMARQUE : Il est possible que le dispositif de traction illustré et décrit dans le présent manuel ne soit pas totalement identique au modèle que vous avez acheté. Toutefois, toutes les instructions fournies dans le présent manuel sont valables pour votre matériel, malgré d'éventuelles différences minimes. Le fabricant se réserve le droit de modifier sans préavis les poids, mesures et autres données techniques indiquées dans le présent manuel. Tous les chiffres, dimensions et capacités indiqués dans ce manuel sont approximatifs et ne constituent pas des caractéristiques.

REMARQUE : Il convient de préciser que les modèles du dispositif de traction dont la vitesse excède les 6 km/h ne sont autorisés sur la voie publique que dans certains pays. Pour les autres pays, l'utilisation est limitée à l'enceinte de la propriété privée.

En l'absence d'approbation et conformément à la réglementation routière, l'utilisation des modèles dont la vitesse excède les 6 km/h est interdite sur la voie publique, ainsi que sur les pistes cyclables. Il vous incombe de vous procurer les informations relatives à la réglementation juridique en vigueur dans votre pays et aux obligations liées à l'assurance ou au permis de conduire pour les modèles dont la vitesse excède les 6 km/h.

Si vous commandez un modèle dont la vitesse excède les 6 km/h, l'apposition de votre signature confirme que vous avez pris connaissance de ces informations.

Consignes relatives à la sécurité – avant chaque utilisation.

ATTENTION !

- Inspectez visuellement l'état des roues, y compris les roues du fauteuil roulant (rayons et jantes, signe de détérioration des pneus) et vérifiez la pression des pneus. La pression correcte est indiquée sur le pneu.
- Une pression des pneus insuffisante ou excessive aura un effet négatif sur le freinage, sur l'usure des pneus et sur la performance de conduite.
- Vérifiez régulièrement la profondeur des sculptures de la bande de roulement des pneus.
- Vérifiez le bon fonctionnement des freins. N'utilisez pas le dispositif de traction si le fonctionnement des freins pas n'est pas optimal.
- Évitez d'endommager les câbles Bowden. Il existe un risque d'entortillement du câble lorsque vous montez ou descendez de l'appareil.
- Inspectez visuellement la fourche afin de déceler tout signe de détérioration (par ex. fissures, pièces cassées, etc.)
- Vérifiez que tous les composants, en particulier les boulons, sont bien serrés.
- Vérifiez que le guidon est bien fixé.
- Vérifiez l'attelage entre le dispositif de traction et votre fauteuil roulant. La fixation doit être placée directement sur le tube métallique, sans qu'aucun élément ne vienne faire obstacle (par ex. sangle mollet, protecteur de châssis).
- Inspectez le châssis et les composants de votre fauteuil afin de déceler tout signe de détérioration (par ex. fissures).
- Vérifiez le bon fonctionnement des feux et l'état des réflecteurs ; ces derniers doivent rester visibles en permanence pendant le déplacement.
- Vérifiez que vos pieds ne peuvent pas glisser de la palette du fauteuil. S'il le faut, utilisez un dispositif de retenue prévu à cet effet.
- Inspectez tous les câbles et raccordements électriques.
- Vérifiez que la batterie est correctement enclenchée et complètement chargée.
- Allumez la batterie et testez l'éclairage.
- Portez toujours un casque de protection.

Consignes relatives à la sécurité – pendant l'utilisation

AVERTISSEMENT !

- Familiarisez-vous avec votre appareil sur un terrain plat avant de négocier des pentes ou des côtes.
- Maintenez toujours fermement les deux mains sur le guidon pour éviter tout risque d'accident dû à une erreur de direction.
- Adaptez toujours votre vitesse à vos capacités et aux conditions de circulation et du terrain sur lequel vous vous déplacez
- Soyez prudent à l'approche d'escaliers, bordures, brèches ou autres zones dangereuses.
- Lorsque vous négociez un virage, réduisez votre vitesse au pas et penchez votre corps vers l'intérieur du virage.
- Lorsque vous êtes à l'arrêt par ex. à un passage piétons, à un feu rouge, en pente/côte, ou au bas d'une rampe, enclenchez toujours le frein.
- En raison du rayon de braquage accru, les demi-tours peuvent être difficiles, voire impossibles à effectuer, par ex. dans les couloirs ou autres endroits confinés.
- Utilisez toujours les fixations fournies pour l'installation des accessoires (poids supplémentaires, sacoches)
- En zones piétonnes, respectez la limitation de vitesse et roulez au pas.
- Respectez toujours le code de la route lorsque vous roulez sur la route ou les trottoirs.
- Évitez de rouler sur des surfaces meubles et non revêtues (par ex. gravillons, sable, boue, neige, glace ou flaques d'eau profondes).
- Évitez les changements de directions abrupts.
- En descente, évitez de rouler parallèlement à la pente.
- Évitez de tourner lorsque vous êtes dans une pente.
- En descente, la traction de la roue motrice est moindre et l'effet de freinage considérablement réduit. Adaptez le style et la vitesse de conduite de manière à pouvoir arrêter le fauteuil à tout moment.
- Le remorquage est interdit.
- L'utilisation dans un escalier est interdite.
- Les obstacles, tels les trottoirs, doivent être abordés de face / angle rectangulaire, à très basse vitesse pour éviter le basculement et le risque de blessures. La hauteur maximale des obstacles est de 50 mm, mais cela dépend de la distance entre les roues avant du fauteuil et le sol,
- Lors du franchissement d'obstacles, veillez à ce qu'aucun composant du fauteuil ou partie de votre corps ne heurte l'obstacle. Vous pourriez tomber, vous blesser gravement ou endommager le produit.
- Lorsque vous roulez sur des surfaces humides, le risque de glissement est accru en raison de la perte de traction des pneus. Adaptez votre style de conduite en conséquence.
- Utilisez toujours le frein principal pour ralentir votre dispositif de traction.
- Vous pouvez éviter le glissement de la roue motrice pendant le freinage en penchant le haut de votre corps vers l'avant.
- Évitez de freiner brusquement dans les virages.

Consignes relatives à la sécurité - après chaque utilisation :

- Après utilisation, mettez immédiatement l'unité hors tension pour éviter tout déplacement involontaire causé par l'activation accidentelle de l'accélérateur.
- Cela permet également de préserver la charge de la batterie.

2.0 Garantie

Conditions de garantie :

1. Si une ou plusieurs pièces du dispositif de traction devaient être réparées ou échangées suite à un vice de fabrication dans les 24 mois suivant la livraison à l'acheteur, la ou les pièces seront réparées ou échangées gratuitement. La garantie ne couvre que les vices de fabrication.
2. Pour faire valoir la garantie, veuillez contacter le fournisseur de votre appareil, par ex. le revendeur Sunrise Medical agréé ou votre prestataire de santé en lui précisant la nature exacte du problème. Si vous vous trouvez dans une localité autre que celle de votre service après-vente Sunrise Medical, la réparation ou le remplacement pourra être effectué par un autre service après-vente désigné par le fabricant. Toute réparation doit être effectuée par un service après-vente/revendeur désigné par Sunrise Medical.
3. Toute pièce réparée ou échangée dans le cadre de la garantie est couverte par la garantie et par les mêmes conditions de garantie pour la période restante, conformément au point 1).
4. Concernant les pièces détachées d'origine installées ultérieurement et au frais du client, celles-ci sont couvertes par une garantie de 12 mois (à compter de l'installation), conformément aux présentes conditions de garantie.
5. La garantie ne peut être actionnée si la réparation ou l'échange du produit ou d'une pièce découle de l'un des cas de figure suivants :
 - a. L'usure normale, notamment celle des batteries, des accoudoirs, de la garniture, des pneus, des patins de frein, etc.
 - b. Les anomalies découlant de la surcharge du produit. La charge maximale d'utilisation est indiquée sur l'étiquette CE.
 - c. Le produit n'a pas été entretenu ou révisé conformément aux recommandations du fabricant, telles qu'indiquées dans le manuel d'utilisation et/ou les notices d'entretien.
 - d. Les accessoires utilisés ne sont pas des accessoires d'origine.
 - e. Le produit - ou l'une de ses pièces - a été endommagé suite à un mauvais entretien, à un accident ou à une utilisation inadéquate.
 - f. Des changements/modifications non conformes aux spécifications du fabricant ont été effectués sur le produit ou des pièces.
 - g. Les réparations ont été effectuées avant d'en avoir informé le service client.
6. Cette garantie est soumise à la loi du pays d'achat du produit Sunrise Medical. * C'est-à-dire le site Sunrise Medical depuis lequel le produit a été acheté.

Limite de responsabilité

Si le dispositif de traction :

- Fait l'objet d'une utilisation inadaptée
- N'est pas entretenue conformément au programme d'entretien
- Est mis en service et utilisé sans respecter les consignes énoncées dans le présent manuel
- Si l'appareil a été réparé ou manipulé par des personnes non autorisées ou équipé de pièces provenant de fournisseurs tiers sans l'autorisation préalable de Sunrise Medical, Sunrise Medical décline toute responsabilité quant à la sécurité du dispositif de traction.

3.0 Manipulation

Livraison :

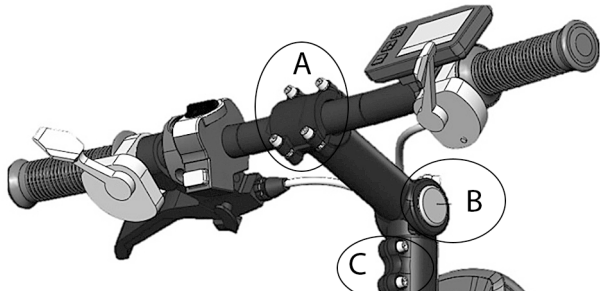
Votre nouveau dispositif de traction vous est livré entièrement monté dans un emballage en carton. Pour éviter tout endommagement pendant le transport, les pièces détachables ou les pièces à monter, sont conditionnées séparément dans un carton.

Déballage :

- Inspectez le carton afin de déceler tout signe d'endommagement externe ayant pu être causé pendant le transport.
- Retirez l'emballage.
- Sortez délicatement le dispositif de traction du carton et vérifiez que toutes les pièces sont présentes.
- Inspectez toutes les pièces pour déceler tout signe d'endommagement, éraflures, fissures, traces de coup, déformation ou tout autre défaut.
- Le produit livré est un dispositif de traction : Cadre de raccordement avec système d'ancrage complet, écran, feux avant, batterie au lithium-ion et chargeur.

Réglage du guidon :

Le StreetJet est livré avec le guidon desserré afin de l'ajuster au mieux en fonction des besoins de chacun. Serrez les deux vis du collier de serrage (C) de la barre centrale du guidon du StreetJet à un couple de 10 Nm à l'aide d'une clé hexagonale de 4 mm. Réglez l'angle d'inclinaison du guidon à la position désirée, puis, à l'aide d'une clé hexagonale de 5 mm, serrez la vis de réglage (B) à un couple de 15 Nm. À l'aide d'une clé hexagonale de 4 mm, serrez au couple de 6 Nm chacune des 4 vis (A) du collier de serrage qui se fixe au guidon. Le guidon est maintenant prêt à l'emploi.



Installation de l'écran :

L'écran a été spécialement programmé pour votre dispositif de traction et est livré avec ce dernier. Installez l'écran comme suit :

- Desserrez la mâchoire de l'écran et positionnez l'écran sur le guidon, entre l'accélérateur et la barre centrale. Resserrez la vis de la mâchoire pour immobiliser l'écran.
- Branchez la prise de l'écran dans la fiche prévue à cet effet sur le dispositif de traction. La prise est protégée contre l'inversion de polarité et ne peut se brancher que d'une seule façon. Veillez à ne pas endommager les broches de la prise pendant l'installation.

REMARQUE : En cas d'endommagement ou si des pièces sont manquantes, contactez-nous immédiatement.

⚠ ATTENTION !

- Le dispositif de traction ne doit être utilisé qu'avec le système d'amarrage fourni et les attaches adaptées à votre fauteuil. Le dispositif de traction doit vous être livré prêt à l'emploi par Sunrise Medical ou un revendeur Sunrise Medical agréé.

- Avant la première utilisation, la batterie doit être complètement chargée.

REMARQUE :

- Lorsque des valeurs de serrage sont indiquées, il est fortement conseillé d'utiliser une clef torx (non fourni) afin de vérifier le couple de serrage. En l'absence d'informations précises, le couple de serrage pour M6 est 7 Nm.

⚠ ATTENTION :

- Certaines des vis utilisées au cours de la fabrication sont dotées de frein-filet (point bleu sur le filetage) et peuvent être utilisées au maximum trois fois, après quoi il convient de les remplacer par des vis neuves avec frein-filet. Vous pouvez également appliquer un adhésif frein-filet Loctite™ 243. Appliquez un adhésif frein-filet sur les vis avant de les remonter.

Entreposage :

Entreposez le dispositif de traction dans un environnement à faible humidité, sur une surface facile à nettoyer et à une température ambiante comprise entre +15 °C et + 25 °C.

Transport :

Il est interdit de transporter l'utilisateur dans son fauteuil roulant si ce dernier est arrimé à la StreetJet à bord du véhicule. Lors du transport de l'unité combinée dispositif de traction / fauteuil roulant à bord d'un véhicule, l'utilisateur doit quitter son fauteuil roulant et prendre place sur un siège du véhicule. L'unité combinée fauteuil / dispositif de traction (sans l'utilisateur) doit être solidement amarrée pendant le transport afin d'éviter son déplacement accidentel.



Cette étiquette apposée sur le produit indique que le dispositif de traction n'a pas été testé et homologué selon la norme ISO 7176-19. Il n'est pas donc permis de transporter l'utilisateur dans le fauteuil roulant avec le dispositif StreetJet amarré dans une voiture.

Lors du transport de l'unité combinée dispositif de traction / fauteuil roulant à bord d'un véhicule, l'utilisateur doit quitter son fauteuil roulant et prendre place sur un siège du véhicule. L'unité combinée fauteuil / dispositif de traction (sans l'utilisateur) doit être solidement arrimée pendant le transport afin d'éviter tout déplacement.

⚠ AVERTISSEMENT !

- Prenez toujours place dans un siège du véhicule convenablement amarré.
- Le matériel et ses composants doivent être immobilisés durant le transport pour éviter tout endommagement (par ex. chute) ou tout risque de blessure pour les occupants du véhicule.

⚠ ATTENTION !

- Lors du chargement, vérifiez que les câbles ne se coincent pas, ne se déforment pas ou ne sont pas endommagés de quelque façon que ce soit.
- N'utilisez jamais le dispositif de traction si des câbles sont endommagés.

Sécurité :

- Pour protéger le dispositif de traction contre le vol ou toute utilisation illicite, utilisez un antivol adapté, similaire à ceux destinés aux vélos.
- Pour davantage de sécurité, éteignez et retirez la batterie.

4.0 Amarrage initial du dispositif de traction au fauteuil roulant

4.1. Montage des attaches sur le fauteuil

Le dispositif de traction doit être monté exclusivement sur des fauteuils visés par une déclaration de combinaison réciproque entre Sunrise Medical et le fabricant du fauteuil roulant.

Les attaches adaptées à votre fauteuil sont livrées avec le dispositif. Si vous avez commandé des attaches pour un châssis à tubes ronds, vous recevrez deux jeux d'attaches pour ce type de tubes, dont vous pourrez affiner le réglage entre 19 mm et 24 mm pour un jeu et entre 25 mm et 35 mm pour l'autre.

Pour affiner le réglage des attaches en fonction du diamètre des tubes du châssis, approchez le cadre avant du fauteuil roulant des attaches.

Actionnez le levier de serrage de l'attache One Touch pour ouvrir ses mâchoires.



Utilisez une clé hexagonale de 4 mm pour ajuster la tige filetée de l'attache One Touch. Cela permet de régler la force appliquée par les attaches One Touch sur le châssis de votre fauteuil. Tournez la tige filetée dans le sens anti-horaire pour ouvrir complètement la mâchoire de l'attache. Placez-la sur le châssis. Fermez le levier pour engager l'attache, puis serrez la tige filetée afin de serrer la mâchoire jusqu'à ce qu'elle entre en contact avec le châssis du fauteuil roulant. Une fois que la mâchoire repose contre le châssis du fauteuil, rouvrez le levier de serrage et serrez la tige filetée de $\frac{3}{4}$ de tour dans le sens horaire. Fermez le levier pour engager l'attache et vérifiez que la StreetJet est fermement arrimé à votre fauteuil.



Le dispositif de traction Empulse StreetJet n'est pas compatible avec les fauteuils dotés de repose-pieds escamotables.

⚠ DANGER !

- L'installation des attaches sur les repose-pieds amovibles aura pour effet d'endommager le fauteuil roulant et peut entraîner des risques de chute et de blessure pour l'utilisateur.

⚠ ATTENTION

- Vérifiez que l'Empulse StreetJet est solidement arrimé au fauteuil roulant.
- Contrôlez le serrage des attaches à intervalles réguliers.

REMARQUE :

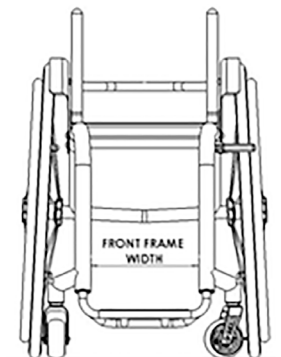
- Lorsque des valeurs de serrage sont indiquées, il est fortement conseillé d'utiliser une clé dynamométrique (non fournie) afin de vérifier le couple de serrage. En l'absence d'informations précises, le couple de serrage pour M6 est 7 Nm.

⚠ ATTENTION :

- Certaines des vis utilisées au cours de la fabrication sont dotées de frein-filet (point bleu sur le filetage) et peuvent être utilisées au maximum trois fois, après quoi il convient de les remplacer par des vis neuves avec frein-filet. Vous pouvez également appliquer un adhésif frein-filet Loctite™ 243 sur les vis avant de les réutiliser.

4.2. Installation du dispositif de traction et réglage de l'angle d'inclinaison

Réglage du sous-châssis intermédiaire de la StreetJet à la largeur appropriée.



Trois fourchettes de largeur de la partie avant du châssis sont proposées, en fonction des dimensions de chaque fauteuil individuel. La mesure correspond à la distance entre l'intérieur des deux tubes.

Largeur mesurée
220-275 mm
275-330 mm
330-425 mm

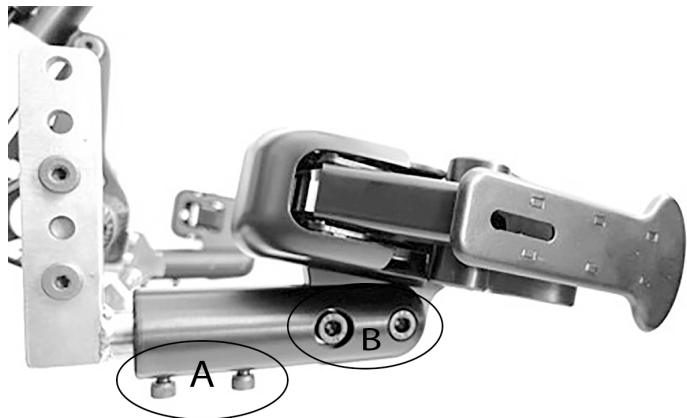
REMARQUE :

- Le tube doit impérativement présenter une section droite minimum de 45 mm garantir la bonne fixation de l'attache.
- L'angle optimal de la StreetJet par rapport au sol est de 80°. Pour une performance optimale, il est recommandé de respecter la hauteur de montage minimale de 322 mm (mesurée entre le sol et la bordure inférieure de l'attache) :

Réglage du sous-châssis à la bonne largeur et au bon angle

REMARQUE : Vous devez avoir préalablement affiné le réglage des attaches en fonction du diamètre des tubes du châssis (voir section 4.1).

- Dévissez les vis (A) et (B) des attaches



- Dévissez les vis (C) du sous-châssis



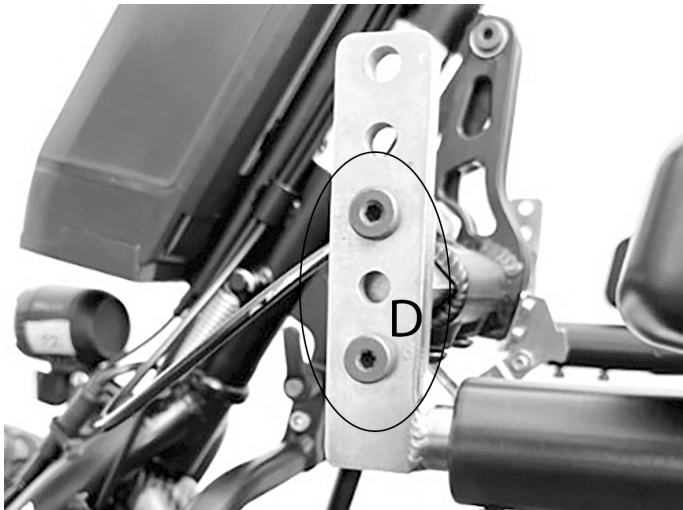
- Approchez la StreetJet de l'avant du fauteuil roulant



- Poussez les leviers pour fermer les attaches



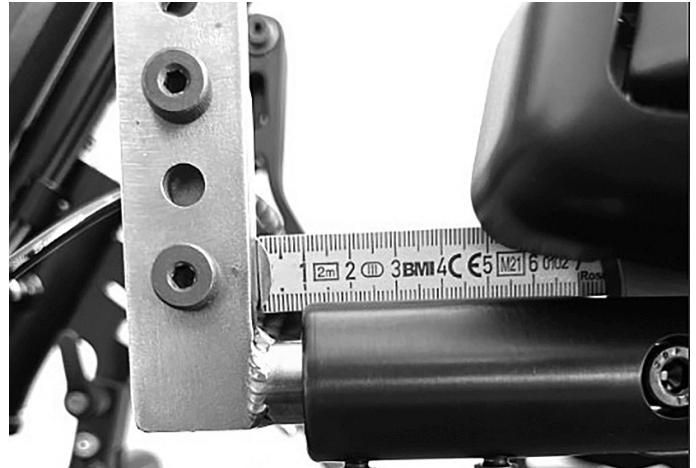
- Vérifiez que les attaches sont bien positionnées sur une section droite des tubes (d'un minimum de 45 mm de long) et qu'il n'y a aucune interférence avec d'autres parties du fauteuil.
- Si la section droite des tubes n'est pas suffisante, réajustez la hauteur des attaches en adaptant la hauteur du bras d'arrimage.
 - Dévissez les vis (D)
 - Repositionnez les bras d'arrimage
 - Resserrez les vis (D) à 16 Nm.



- Serrez les vis (C) à 16 Nm

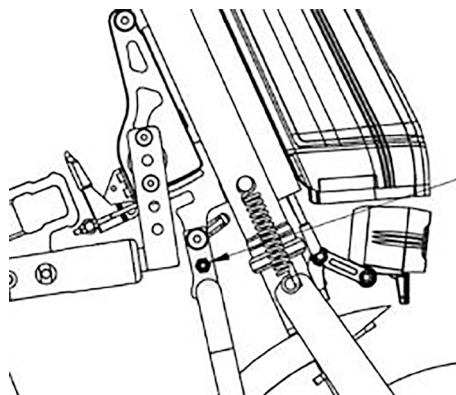


- Veillez à ce que la distance entre la plaque de montage et l'attache n'excède pas 20 mm.

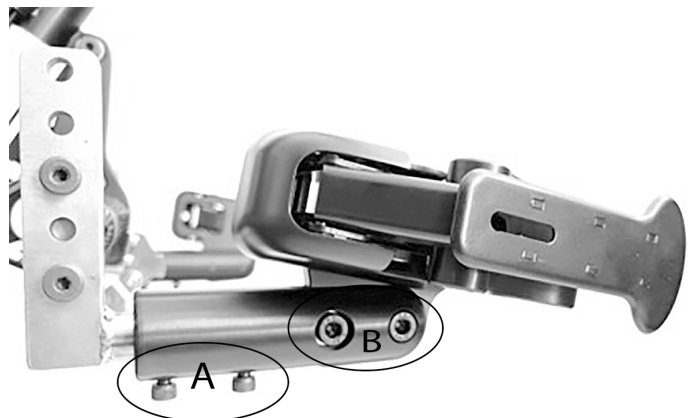


Vérifiez qu'il n'y a aucun contact entre la roue motrice ou la béquille et le repose-pieds ou les pieds. (Voir section 5.0.)

- En cas de contact entre la roue motrice et le repose-pieds ou les pieds, positionnez la StreetJet de sorte à éliminer tout contact.
- En cas de contact entre la béquille et le repose-pieds, vous devez ajuster la position de la StreetJet. Pour ce faire, retirez le boulon M6 et son écrou et repositionnez la béquille dans le second orifice de réglage. Resserrez le boulon et l'écrou à un couple de 12 Nm pour que la béquille soit solidement maintenue en place.



- Resserrez les vis (A) à 12 Nm et (B) à 20 Nm



⚠ DANGER !

Resserrez les vis 30 minutes avant d'utiliser la StreetJet, puis une nouvelle fois au bout de 24 heures.

⚠ DANGER !

Dans tous les cas, l'espace entre les pieds de l'utilisateur et la roue motrice doit être suffisant, même en position de braquage maximum.

La roue motrice ne doit jamais entrer en contact avec les pieds de l'utilisateur pendant la conduite. Cela pourrait entraîner des blessures.

REMARQUE :

Lorsque des valeurs de serrage sont indiquées, il est fortement conseillé d'utiliser une clef torx (non fourni) afin de vérifier le couple de serrage. En l'absence d'informations précises, le couple de serrage pour M6 est 7 Nm.

⚠ ATTENTION :

Certaines des vis utilisées au cours de la fabrication sont dotées de frein-filet (point bleu sur le filetage) et peuvent être utilisées au maximum trois fois, après quoi il convient de les remplacer par des vis neuves avec frein-filet. Vous pouvez également appliquer un adhésif frein-filet Loctite™ 243 sur les vis avant de les réutiliser.

⚠ ATTENTION !

Respectez toujours les couples de serrage indiqués.

Réglage de la position du guidon

La position du guidon se règle à un angle compris entre 0° et 90°.

Pour modifier l'angle d'inclinaison de la barre centrale du guidon, desserrez la vis (A). Réglez la colonne à l'angle désiré (réglable à l'infini). Une fois le réglage terminé, resserrez la vis (A) au couple de 20 Nm.



⚠ DANGER !

Veillez à acheminer et à fixer correctement les câbles. Veillez à ne pas plier, ni tendre excessivement les câbles. Si nécessaire, utilisez des attaches pour fixer les câbles.

5.0. Amarrage et décrochage du dispositif de traction par l'utilisateur

⚠ DANGER !

Pensez à toujours mettre le dispositif hors tension avant de l'accrocher ou de le décrocher.
Avant toute utilisation, vérifiez que le fauteuil est correctement accroché au dispositif de traction.
Veillez à ne pas vous coincer les doigts et/ou vos vêtements dans les organes mobiles. Faites preuve d'une vigilance accrue lorsque vous actionnez le levier de serrage et le boulon de fermeture.

5.1. Accrochage

1. Mettez le dispositif de traction hors tension depuis le commutateur de batterie.
2. Avancez le fauteuil roulant jusqu'à ce que les tubes du châssis avant se logent dans les attaches d'arrimage. (Fig. 1)
3. Actionnez les freins du fauteuil. (Fig. 2)
4. Rabaissez les leviers pour fermer les attaches. (Fig. 3)
5. Maintenez enfoncé le loquet de déverrouillage de l'arrimage sur le guidon. (Fig. 4a)
6. Dans le même temps, relevez le guidon. (Fig. 4b)
7. Relâchez le loquet de déverrouillage de l'arrimage. (Fig. 4c)
8. Tirez le levier de serrage vers le haut, au-delà du point central d'alignement, afin de le fermer. (Fig. 5).
9. Il ne vous reste plus qu'à relâcher les freins du fauteuil roulant pour vous mettre en marche. (Fig. 6)



⚠ DANGER !

- Avant de vous mettre en route, vérifiez que le dispositif de traction est bien amarré et que tous les verrous sont bien fermés.
- Si le moindre verrou ne se ferme pas correctement ou vous donne l'impression de ne pas fermer correctement, contactez votre revendeur qui procèdera aux vérifications requises. Ne vous mettez jamais en route si votre équipement présente le moindre risque d'accident et de blessure.
- La distance entre les roues avant du fauteuil roulant et le sol doit être d'au moins 40 mm. Toute distance inférieure présente un risque d'accident et de blessure.
- La procédure d'amarrage et de décrochage doit toujours être réalisée sur une surface plane.
- Les organes mobiles présentent un risque de pincement des doigts. Faites attention.

REMARQUE :

Avant de vous mettre en route, prenez un moment pour effectuer les inspections suivantes :

- Une fois arrimées, les deux attaches doivent être à au moins 20 mm de la roue motrice.
- Le levier de serrage est complètement fermé et ne présente aucun jeu.
- La distance entre les roues avant du fauteuil roulant et le sol est d'au moins 40 mm.

5.2. Décrochage :

1. Actionnez les freins du fauteuil.
2. Mettez le dispositif de traction hors tension depuis le commutateur de batterie.
3. Desserrez le levier de serrage.
4. Poussez le guidon délicatement vers l'avant / le haut.
5. Maintenez enfoncé le loquet de déverrouillage de l'arrimage sur le guidon.
6. Abaissez lentement le dispositif de traction jusqu'à ce que les roues avant du fauteuil touchent le sol.
7. Libérez les attaches en ouvrant les leviers latéralement.
8. Éloignez le dispositif de traction.




⚠ DANGER !

Les organes mobiles présentent un risque de pincement des doigts. Faites attention.

La procédure d'amarrage et de décrochage doit toujours être réalisée sur une surface plane.

Placez délicatement le dispositif de traction au sol pour éviter de l'endommager.

6.0 Fonctionnement

Terme	Définition
 DANGER !	Indication d'un risque potentiel de blessures sérieuses ou de mort en cas de non-respect des consignes
 AVERTISSEMENT !	Indication d'un risque de blessure en cas de non-respect des consignes
 ATTENTION !	Indication que le matériel peut être endommagé si le conseil fourni n'est pas suivi
REMARQUE :	Conseil d'ordre général ou pratique recommandé

6.1. Freins

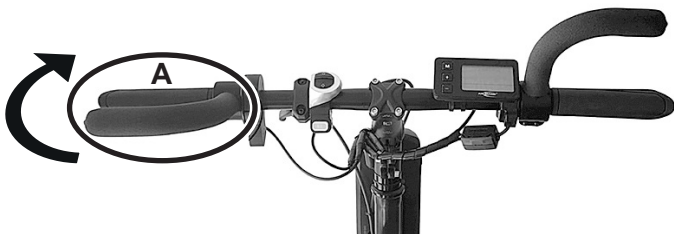
Le dispositif de traction possède deux freins :

- un disque mécanique actionné par une poignée de frein située à gauche sur le guidon (A), système mécanique optionnel à double freinage doté d'une poignée de frein droite et gauche
- un disque électrique actionné par la palette d'activation situé sur le guidon (B). Le frein électrique fonctionne uniquement lorsque le dispositif de traction est sous tension et prêt à l'emploi.



Commandes Quad

Le frein de la commande Quad est activé en actionnant le levier (A) vers l'avant.



Avant de vous mettre en route, familiarisez-vous avec le fonctionnement, la réactivité et la force de freinage des deux freins.

DANGER !

- Le frein électrique fonctionne uniquement lorsque le dispositif de traction est sous tension et prêt à l'emploi.
- La performance de freinage optimale est obtenue avec le frein à disque mécanique.
- Un freinage brusque et soudain peut propulser le haut de votre corps vers l'avant et vous blesser. Par conséquent, maintenez toujours fermement les deux mains sur les poignées pour vous protéger.
- La puissance de freinage peut être considérablement diminuée par l'un des facteurs suivants :
 - Les sculptures du pneu sont usées
 - Une pression des pneus insuffisante ou excessive
 - Les pneus sont mouillés et boueux
 - Patins de freinage usés
- Ne laissez jamais de l'huile et/ou d'autres graisses entrer en contact avec les patins et les disques de freins. Cependant, si cela arrivait, faites changer les patins. Les disques de freins devront être dégraissés à l'aide d'un produit nettoyant professionnel pour freins.
- Le frein à disque ne s'ajuste pas automatiquement. Il doit être ajusté manuellement au fur et à mesure que les patins de freinage s'usent. Contactez votre revendeur pour lui confier ce travail.
- L'état de la surface sur laquelle vous roulez a un impact considérable sur l'efficacité de freinage.
- N'oubliez pas que les distances d'arrêt sont plus longues lors d'un freinage en pente.
- Les surfaces mouillées ou boueuses, les terrains ensablés, accidentés ou recouverts de gravillons et les conditions environnementales défavorables peuvent considérablement réduire l'efficacité de freinage. L'utilisation du fauteuil est déconseillée dans ces cas de figure. Si vous n'avez toutefois d'autre choix que d'utiliser votre fauteuil roulant, adaptez votre style de conduite pour éviter tout risque d'accident.
- Vérifiez toujours le bon fonctionnement des freins avant de vous mettre en route. Les freins doivent faire l'objet d'une vérification régulière par votre vendeur et être ajustés si besoin est.
- Si vous vous arrêtez en côte (dans le sens de la montée), le frein du dispositif de traction risque de ne pas suffire pour retenir le fauteuil, en raison de l'absence de traction sur la roue avant.

6.2. Mise sous et hors tension

Le dispositif de traction possède deux commutateurs :

- Un bouton Marche/Arrêt sur le compartiment de la batterie. Allumez toujours ce bouton en premier (Voir la section Mise sous et hors tension de la batterie).
- Un second bouton Marche/Arrêt à l'écran : appuyez 2 secondes sur le bouton Marche/Arrêt supérieur pour mettre le dispositif de traction sous et hors tension.
- Pour allumer les feux, maintenez le bouton "+" enfoncé pendant 2 secondes. Pour éteindre les feux, maintenez le bouton "+" enfoncé pendant 2 secondes. Le rétroéclairage de l'écran s'allume et s'éteint avec les feux.

AVERTISSEMENT !

- Mettez toujours le dispositif de traction hors tension avant l'amarrage et le décrochage, pour éviter toute activation accidentelle
- Pendant les périodes de non-utilisation, mettez toujours le dispositif de traction hors tension depuis le commutateur de batterie.

6.3. Sélection du sens du déplacement



- Le commutateur de contrôle de direction sur le guidon permet de sélectionner le sens du déplacement. Pour déplacer le dispositif de traction en marche avant, poussez le commutateur vers l'avant, puis actionnez l'accélérateur.

- Pour changer le sens du déplacement, amener le dispositif de traction à l'arrêt. Glissez le commutateur de contrôle de direction vers l'arrière (sens marche arrière). Actionnez l'accélérateur pour faire reculer le dispositif de traction.

⚠ DANGER !

- Le sens du déplacement ne peut être modifié que lorsque le dispositif de traction est stationnaire. L'activation du commutateur de contrôle de direction pendant la conduite n'aura d'effet qu'une fois le dispositif immobilisé.
- Avant de vous mettre en route, vérifiez toujours la position du commutateur de contrôle de direction pour éviter de reculer sans vous y attendre (risque de blessure).
- Lorsque vous reculez, prêtez attention à votre environnement pour éviter toute collision.
- La conduite n'est pas la même et le fauteuil réagit différemment selon qu'il se déplace en marche avant ou en marche arrière. Tout mouvement de conduite brusque peut entraîner une chute (risque de blessure).

6.4. Contrôle de la vitesse (accélérateur)

- L'accélérateur (A) vous permet de contrôler la vitesse avec le pouce de la main droite.
- Plus vous appuyez sur l'accélérateur, plus la vitesse augmente. Pour diminuer la vitesse, relâchez la pression.
- Lorsque vous relâchez complètement l'accélérateur, la vitesse diminue et le dispositif de traction ralentira progressivement jusqu'à s'arrêter.



Commandes Quad

L'accélérateur de la commande Quad est actionné en tirant sur le levier (B).



⚠ DANGER !

- Adaptez toujours votre vitesse à votre environnement pour éviter toute collision (risque de blessure).
- Familiarisez-vous avec la manière dont le combiné fauteuil / dispositif de traction se comporte dans les virages avant de rouler à une vitesse plus élevée (risque de blessure).
- Avant d'actionner l'accélérateur, vérifiez toujours que le commutateur de contrôle de direction est réglé sur le sens de déplacement désiré.
- Mettez toujours le dispositif de traction hors tension pendant l'amarrage et le décrochage, et pendant les périodes de non-utilisation afin d'éviter l'activation accidentelle de l'accélérateur.

REMARQUE :

- La conduite du fauteuil à pleine vitesse sur une période prolongée peut soumettre le moteur à une forte charge thermique. Pour éviter la surchauffe, la puissance du moteur sera limitée jusqu'à ce que ce dernier revienne à une température de service normale.

6.5. Sélection du niveau de conduite

- Plusieurs niveaux de conduite (1, 2, 3) peuvent être sélectionnés à travers l'écran d'affichage. Ces niveaux déterminent la vitesse maximale pouvant être atteinte avec chacun d'eux.
- Vous pouvez sélectionner les niveaux de conduite à l'aide des boutons "+" et "-" à l'écran. Le niveau de conduite sélectionné est affiché dans le coin supérieur droit de l'écran.

REMARQUE :

- La vitesse maximale et la puissance maximale du moteur peuvent être atteintes uniquement avec le niveau 3 de conduite.

6.6. Régulateur de vitesse



- Le bouton-poussoir jaune (A) présent sur le boîtier du commutateur de contrôle de direction, permet de maintenir la vitesse actuelle du dispositif de traction (régulation de la vitesse) sans avoir à actionner l'accélérateur.
- Accélérez jusqu'à obtention de la vitesse désirée, puis enfoncez le bouton-poussoir jaune. Le dispositif de traction maintiendra cette vitesse même si vous relâchez l'accélérateur.

- Si vous enfoncez à nouveau ce bouton ou actionnez le frein (mécanique et électrique), le régulateur de vitesse se désactive immédiatement.
- Lorsque le régulateur de vitesse est activé, vous ne pouvez pas accélérer. Pour ce faire, vous devez préalablement désactiver le régulateur de vitesse.

⚠ DANGER !

- Le régulateur de vitesse pourra maintenir la vitesse dans la limite de disponibilité de la puissance du moteur. Si vous montez une côte avec le régulateur de vitesse activé, la vitesse pourra diminuer quelque-peu.
- Si vous descendez une pente avec le régulateur de vitesse activé, ce dernier essaiera de maintenir la vitesse à l'aide du frein-moteur électrique. Si la pente est trop escarpée et si le frein électrique ne suffit plus, la vitesse pourra augmenter. Si cela est nécessaire, vous devrez actionner le frein mécanique pour contrôler la vitesse.

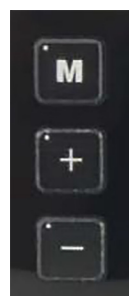
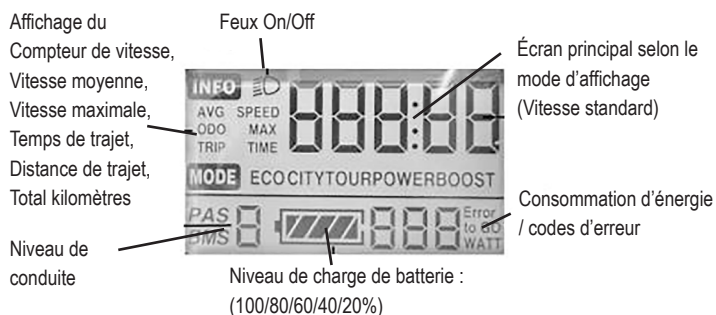
⚠ DANGER !

- Familiarisez-vous avec le fonctionnement du régulateur de vitesse avant de prendre la route. Entraînez-vous à l'activer et à le désactiver à basse vitesse.
- Même avec le régulateur de vitesse activé, vous devez rester vigilant et attentif, et être prêt à freiner en cas de besoin.
- Soyez particulièrement attentif à votre vitesse lorsque vous descendez des pentes avec le régulateur de vitesse activé. Si nécessaire, contrôlez la vitesse manuellement à l'aide du frein mécanique (risque de blessure).

REMARQUE :

- Si vous n'utilisez pas le dispositif de traction pendant de longues périodes, nous recommandons de l'allumer toutes les 4 semaines et de faire tourner la roue pendant environ 5 minutes à faible vitesse de sorte que la graisse soit répartie sur tous les roulements pour éviter l'apparition de corrosion.

6.7. Fonctions de l'écran d'affichage



Mise sous et hors tension

Sélection du niveau de conduite ; Feux On/Off

Sélection du niveau de conduite

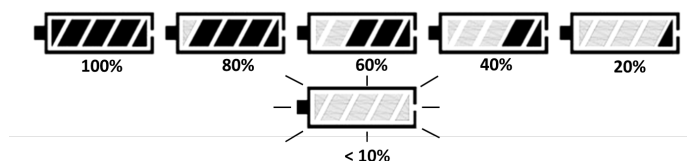
- Pour allumer le dispositif de traction, appuyez sur le bouton Marche/Arrêt pendant 2 secondes (voir également la section Mise sous et hors tension). L'heure est affichée sur l'écran principal et le nombre total de kilomètres sur l'écran secondaire. Le niveau de conduite (à la mise sous tension, le niveau 1 est automatiquement sélectionné), ainsi que le niveau de charge de la batterie sont également affichés.

6.7.1 Feux :

Pour allumer et éteindre les feux, maintenez le bouton "+" enfoncé pendant 2 secondes. Le symbole correspondant s'affiche dans le coin supérieur gauche de l'écran.

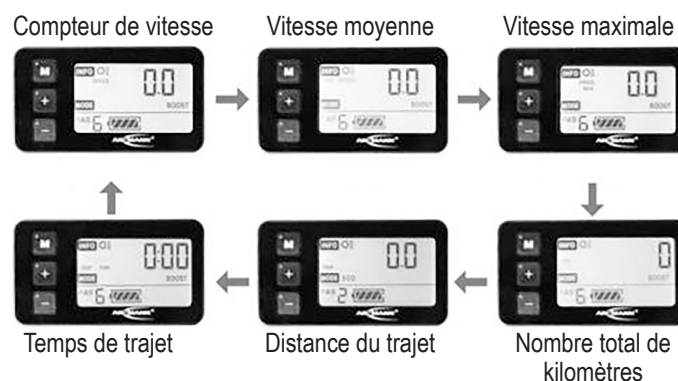
6.7.2 Capacité de la batterie :

L'autonomie de la batterie est affichée par incréments de 20 %. Rechargez immédiatement la batterie dès que le symbole de la batterie se met à clignoter.



6.7.3 Mode Affichage :

Appuyez sur le bouton Marche/Arrêt pour sélectionner les différents modes d'affichage :



1. Mode Affichage : SPEED - Vitesse

2. Mode Affichage : AVG SPEED - Vitesse moyenne

3. Mode Affichage : SPEED MAX - Vitesse maximale pratiquée

4. Mode Affichage : ODO - Compteur, distance totale parcourue

5. Mode Affichage : TRIP – Distance totale parcourue depuis le dernier effacement du compteur (voir section Effacement du compteur)

6. Mode Affichage : TRIP TIME – Temps total d'utilisation depuis le dernier effacement du compteur (voir section Effacement du compteur)

⚠ DANGER !

- Ne procédez au réglage des paramètres que lorsque le dispositif de traction est stationnaire, jamais durant la conduite.

6.7.4 Affichage des codes d'erreur :

Lorsque le système électronique détecte des anomalies dans le système, celles-ci sont affichées sous forme de codes d'erreur à l'écran.



Le code d'erreur s'affiche dans le coin inférieur droit de l'écran.

Codes d'erreur - Affichage	
Code d'erreur	Description
30	Erreur de communication

Codes d'erreur - Contrôleur	
Code d'erreur	Description
13	Surchauffe
14	Tension
15	Sortie moteur
16	Processeur
17	Moteur - Protection anti-rotation
19	Capteur de vitesse
21	Surtension / MOSFET
22	Contrôle accélérateur
23	Phase moteur
24	Capteur Hall
25	Signal de freinage

Les anomalies peuvent parfois apparaître de manière sporadique. À chaque redémarrage du système, le code d'erreur est supprimé. Si l'anomalie réapparaît, notez le code et contactez votre revendeur.

6.7.5 Paramètres :

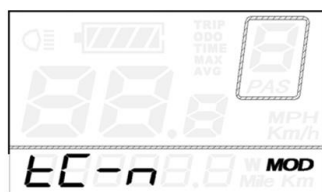
Vous pouvez ouvrir le menu Paramètres pour procéder à des réglages élémentaires. Pour cela, appuyez simultanément sur les boutons "+" et "-" pendant 2 secondes.

REMARQUE :

- Ces réglages ne peuvent être effectués que lorsque le dispositif de traction est stationnaire.

1. Effacement du compteur :

Appuyez simultanément sur les boutons "+" et "-" pendant 2 secondes. Le menu s'ouvre à l'écran.



L'écran affiche "tC-n". Appuyez sur le bouton "+" pour commuter entre "tC-n" (ne pas remettre à zéro le kilomètre quotidien) et "tC-y" (remettre à zéro le kilométrage quotidien). Sélectionnez "tC-y" pour

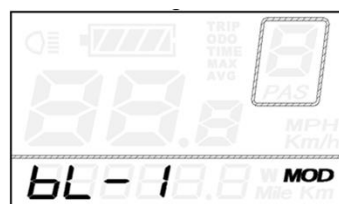
remettre le compteur à zéro, puis appuyez sur le bouton Marche/Arrêt pendant 2 secondes pour confirmer votre choix et quitter le menu.

ou

Appuyez sur le bouton Marche/Arrêt brièvement pour confirmer, et passez à l'option suivante du menu.

2. Réglage de la luminosité du rétroéclairage de l'écran :

L'option "bL" (rétroéclairage) est maintenant affichée à l'écran. Le rétroéclairage est activé.



Il existe trois niveaux de luminosité (bL-1/ bL-2/ bL-3) que vous pouvez sélectionner à l'aide des boutons "+" et "-". Appuyez ensuite sur le bouton Marche/Arrêt pendant 2 secondes pour confirmer votre choix et quitter le

menu.

ou

Appuyez sur le bouton Marche/Arrêt brièvement pour confirmer, et passez à l'option suivante du menu.

Réglage de l'accélération :

"SSP" s'affiche à l'écran.

Il existe quatre niveaux d'accélération (SSP:1/ SSP:2/ SSP:3/ SSP:4). Sélectionnez le niveau souhaité à l'aide des boutons "+" et "-" buttons (1=accélération max / 4=accélération faible). Appuyez ensuite sur le bouton « M » pendant 2 secondes pour confirmer votre choix et quitter le menu.

SSP:1 accélération max.

SSP:2 accélération élevée.

SSP:3 accélération moyenne.

SSP:4 accélération faible.

Pour enregistrer le réglage et revenir à l'écran d'accueil, appuyez sur M pendant deux secondes.

ou

Appuyez sur le bouton Marche/Arrêt brièvement pour confirmer, et passez à l'option suivante du menu.

6.7.6 Changement d'unités :

"U" ("Unité") s'affiche alors à l'écran.

À l'aide des boutons "+" et "-", vous pouvez commuter entre "U-1" (miles - m/h) et "U-2" (kilomètres - km/h). Appuyez ensuite sur le bouton Marche/Arrêt pendant 2 secondes pour confirmer votre choix et quitter le menu.




7.0 Batterie et chargeur de batteries

7.1 Introduction

La batterie fournie avec le produit ne doit servir qu'à alimenter le dispositif Empulse StreetJet de Sunrise Medical. Ne branchez aucun autre dispositif ou appareil à la batterie. Toute utilisation autre que celle prévue nécessite une autorisation écrite préalable du fabricant. Le présent manuel d'utilisation porte uniquement sur la batterie susmentionnée et reflète les informations exactes au moment de l'impression.

Le fabricant se réserve le droit d'apporter des modifications en fonction d'éventuels changements concernant les aspects mécaniques, logiciels et juridiques du produit. Le fabricant considère les cas suivants comme des exemples d'utilisation abusive de la batterie :

- Utilisation de la batterie non conforme aux consignes et aux recommandations énoncées dans le présent manuel.
- Dépassement des limites techniques énoncées dans le présent manuel.
- Altérations techniques apportées à la batterie.
- Modifications logicielles de la batterie.
- Attelages non autorisés ou utilisation non conforme de la batterie.
- Le fabricant décline toute responsabilité au titre des dommages découlant d'une utilisation abusive de la batterie.

Terme	Définition
 DANGER !	Indication d'un risque potentiel de blessures sérieuses ou de mort en cas de non-respect des consignes
 AVERTISSEMENT !	Indication d'un risque de blessure en cas de non-respect des consignes
 ATTENTION !	Indication que le matériel peut être endommagé si le conseil fourni n'est pas suivi
REMARQUE :	Conseil d'ordre général ou pratique recommandé

7.2 Consignes de sécurité relatives à la batterie et au chargeur

AVERTISSEMENT !

Lisez et respectez les consignes de sécurité et précautions suivantes avant d'activer la batterie et de la recharger.

DANGER !

- Le non-respect de ces consignes de sécurité et précautions peut endommager le produit ou causer un choc électrique, un incendie et/ou de graves blessures.
- La batterie au lithium-ion renferme des substances chimiques susceptibles de causer des réactions dangereuses si les consignes de sécurité ne sont pas respectées.

ATTENTION !

Le fabricant décline toute responsabilité en cas de dégâts résultant du non-respect de ces consignes.

Consignes de sécurité et précautions relatives à l'utilisation de la batterie :

AVERTISSEMENT !

- Avant la première utilisation, la batterie doit être complètement chargée.
- La batterie doit être utilisée à une température comprise entre -15 °C et 45 °C.
- La batterie ne doit pas être exposée à la chaleur (par ex. radiateur), ni au feu. L'exposition à la chaleur peut entraîner l'explosion de la batterie.
- Dans le cas (très improbable) où la batterie venait à surchauffer ou à prendre feu, empêchez impérativement tout contact entre la batterie et l'eau ou tout autre liquide. Le seul agent extincteur adapté recommandé par le fabricant est le sable.
- Dans la mesure du possible, chargez la batterie après chaque utilisation.
- Pour toute utilisation autre que celle prévue par Sunrise Medical, vous devrez obtenir l'autorisation écrite du fabricant.
- La batterie ne doit pas être ouverte, ni démontée. L'ouverture abusive ou la destruction volontaire de la batterie peut être dangereuse et présente un risque de graves blessures. De plus, l'ouverture de la batterie aurait pour effet d'annuler la garantie.
- Ne connectez jamais les bornes de la prise de recharge de la batterie à des objets métalliques et évitez tout contact entre les bornes et des objets métalliques (par exemple des copeaux métalliques).
- Si la prise de recharge est sale, nettoyez-la à l'aide d'un chiffon sec et propre.
- Ne plongez jamais la batterie dans l'eau.
- La durée de vie utile de la batterie dépend, entre autres, du lieu d'entreposage. Par conséquent, n'entrez jamais la batterie dans un lieu chaud pendant des périodes prolongées. À cet effet, ne placez la batterie dans le coffre d'une voiture garée au soleil qu'à des fins de transport et non pas d'entreposage.

- La batterie ne doit pas subir de coups ou d'impacts. Si, cependant, c'était le cas, faites inspecter la batterie par le fabricant. Contactez le service après-vente. Cessez immédiatement d'utiliser une batterie endommagée.
- Si la batterie est endommagée ou défectueuse, mettez-la de côté et faites-la inspecter. Contactez votre revendeur spécialisé pour connaître la procédure de renvoi et de réparation. Cessez d'utiliser une batterie endommagée ou défectueuse et ne l'ouvrez pas.
- Veillez à ce que la batterie reste propre et sèche en permanence.
- Chargez la batterie sur une surface résistante au feu et à la chaleur. Ne pas mettre objets facilement inflammables ou inflammables près de la batterie.
- Toute manipulation incorrecte peut entraîner des risques d'explosion, de surchauffe ou d'incendie.

Consignes de sécurité et précautions relatives à l'entreposage de la batterie :

⚠️ AVERTISSEMENT !

- Protégez immédiatement la batterie après l'avoir débranchée du chargeur ou du moteur. Protégez toujours la batterie contre l'humidité et les corps étranger (par ex. fragments métalliques, clous, résidus ou autres métaux conducteurs).
- Entreposez la batterie à l'abri des sources d'humidité (eau, pluie, neige, etc.).
- Avant d'entreposer la batterie, rechargez-la complètement et vérifiez son niveau de charge tous les 3 mois.
- Entreposez la batterie dans un lieu frais et sec où elle ne risque pas d'être endommagée et dont l'accès est limité aux seules personnes autorisées.
- Pour lui garantir une durée de vie utile optimale, entreposez la batterie à une température ambiante comprise entre 10°C et 25°C avec une humidité relative comprise entre 20 % et 75 %.
- Les conditions d'entreposage des batteries sont indiquées à la section Spécifications techniques.
- Évitez de l'exposer à la lumière directe du soleil.
- Lorsque la batterie est inutilisée pendant des périodes prolongées, rechargez-la au moins toutes les 12 semaines pour la maintenir en bon état de fonctionnement.

Consignes de sécurité et précautions relatives au processus de recharge :

⚠️ AVERTISSEMENT !

- Rechargez toujours la batterie dans un environnement ventilé, sec et exempt de poussières.
- Ne rechargez pas la batterie en présence de liquides ou de gaz inflammables.
- Pendant la recharge, placez la batterie à l'abri des sources d'humidité (eau, pluie, neige, etc.).
- Ne rechargez pas la batterie dans des environnements où l'humidité peut nuire à la batterie.
- Rechargez toujours la batterie à une température comprise entre 0 °C et 40 °C. Si vous rechargez la batterie en dehors de cette plage de températures, le mécanisme de la batterie désactive automatiquement le processus de recharge.
- Utilisez exclusivement le chargeur fourni avec la batterie. Contactez votre revendeur spécialisé pour toute information à ce sujet.

⚠️ DANGER !

- L'utilisation d'un chargeur inapproprié peut entraîner le dysfonctionnement de la batterie et réduire sa durée de vie. Cela présente également un risque d'incendie et d'explosion.
- Une fois la recharge terminée, débranchez toujours le câble du chargeur de la prise murale avant de le débrancher de la batterie.
- Dès que la batterie est chargée, il est important que la pièce soit bien aérée. La recharge doit par principe toujours être effectuée sous supervision.
- Les batteries endommagées ne doivent plus être rechargées, ni utilisées.
- Les chargeurs de batterie endommagés (prise, boîtier, câble) ne doivent plus être utilisés.

Consignes de sécurité et précautions relatives au transport et à l'expédition de la batterie :

⚠️ AVERTISSEMENT !

- Les batteries renferment des cellules au lithium-ion. Le transport et l'expédition de la batterie sont donc soumis à des réglementations strictes qui doivent être impérativement respectées. À ce titre, une batterie défectueuse ne doit jamais être transportée en avion.
- Si votre batterie est défectueuse, amenez-la en personne chez votre revendeur spécialisé, car l'expédition des batteries au lithium-ion par la poste ou autres modes de transport est soumise à une réglementation très stricte. Dans tous les cas, nous vous conseillons de contacter votre revendeur spécialisé.
- La réglementation relative au transport peut être amenée à changer régulièrement, par conséquent, nous vous conseillons vivement de consulter votre voyageur, compagnie aérienne ou compagnie maritime avant votre départ afin de prendre connaissance des exigences en vigueur. N'emportez jamais à bord d'un avion ou dans vos bagages une batterie défectueuse.

REMARQUE :

- Si votre batterie est installée sur votre dispositif de traction pendant le transport, les règles sont un peu plus souples, conformément à la norme UN3481.
- Conservez le carton d'emballage de la batterie afin de le réutiliser lors du transport.
- Avant tout envoi, contactez votre revendeur spécialisé.

Consignes de sécurité et précautions relatives au chargeur :

⚠️ AVERTISSEMENT !

- Avant toute procédure de recharge, lisez toutes les consignes et précautions fournies avec le chargeur, ainsi que les informations ci-dessous.
- Utilisez exclusivement le chargeur fourni avec la batterie. Contactez votre revendeur spécialisé pour toute information à ce sujet.
- Une fois la recharge terminée, débranchez le câble du chargeur de la prise murale avant de le débrancher de la batterie.
- Pendant la recharge, placez le chargeur à l'abri des sources d'humidité (eau, pluie, neige, etc.).
- Ne rechargez pas la batterie dans des environnements où l'humidité peut nuire au chargeur.
- Prêtez attention à la condensation. Si le chargeur passe d'un environnement froid à un environnement chaud, de la condensation peut se former. Si tel est le cas, attendez que toute la condensation se soit dissipée avant d'utiliser le chargeur. Cela peut prendre plusieurs heures.
- Ne déplacez jamais le chargeur en l'attrapant par son câble d'alimentation ou par le câble de recharge.
- Ne tirez jamais le câble d'alimentation pour débrancher le chargeur de la prise murale.
- Ne soumettez le câble ou la fiche à aucune contrainte excessive. L'étirement excessif ou le pliage du câble, le pincement du câble entre un mur et une embrasure de fenêtre ou l'écrasement du câble ou de la fiche par un objet lourd peut causer un choc électrique ou un incendie.
- Disposez le câble d'alimentation et le câble de recharge de manière à ce que personne ne puisse marcher ou trébucher dessus et de sorte que les deux câbles soient protégés contre toute contrainte ou effet dommageable.
- N'utilisez pas le chargeur si le câble d'alimentation, le câble de recharge ou les fiches branchées aux câbles sont endommagés. Toute pièce endommagée doit être immédiatement remplacée par le revendeur spécialisé agréé.
- N'utilisez pas et ne démontez pas un chargeur qui aurait reçu un coup, qui serait tombé au sol ou qui serait endommagé de quelque façon que ce soit.
- Les enfants ne doivent pas utiliser le chargeur.
- N'essayez jamais de démonter ou de modifier le chargeur.
- Pendant la recharge, ne recouvrez pas le chargeur et ne placez aucun objet sur sa partie supérieure.
- Ne faites jamais entrer en contact les bornes de la fiche de recharge et un objet métallique.
- Vérifiez d'avoir bien inséré la fiche mâle dans la fiche femelle.
- Ne touchez jamais les fiches avec des mains mouillées.
- N'utilisez pas la fiche du chargeur et/ou la fiche du cordon d'alimentation si elles sont souillées ou mouillées. Avant tout branchement, essuyez la fiche à l'aide d'un chiffon sec.

7.3. Remarques relatives au transport aérien

L'envoi ou le transport des batteries lithium-ion à bord d'un avion est soumis à des règles très strictes. Les directives peuvent varier selon les compagnies aériennes. Dans tous les cas, contactez la compagnie aérienne avant le transport ou l'expédition à bord d'un avion d'un dispositif équipé de batteries lithium-ion.

⚠️ AVERTISSEMENT !

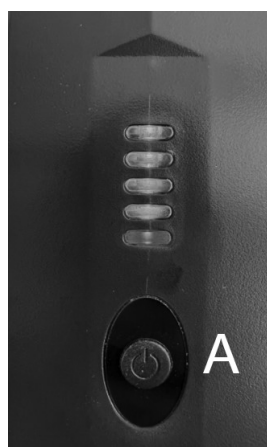
- La batterie de l'Empulse StreetJet contient des cellules lithium-ion. L'expédition et le transport des batteries lithium-ion sont soumis à des directives juridiques précises.
- Les directives relatives à l'expédition ou au transport des batteries lithium-ion à bord d'un avion peuvent changer. Contactez votre compagnie aérienne ou agent de voyage pour obtenir des informations actualisées sur les directives en vigueur avant de planifier votre voyage ou l'envoi.
- Les batteries défectueuses ne seront en aucun cas acceptées à bord des avions.
- Si votre batterie est défectueuse, veuillez contacter votre revendeur afin de connaître la marche à suivre. Dans ce cas, des conditions spéciales sont appliquées pour le transport des produits dangereux.
- Quoi qu'il en soit, mettez la batterie hors tension en vue du transport et protégez les contacts situés sous la batterie contre les risques de court-circuit.

7.4. Mise sous et hors tension de la batterie

La batterie possède un bouton Marche/Arrêt situé sur le boîtier (A). Le courant ne peut passer que si la batterie est sous tension. Le dispositif de traction ne peut être mis sous tension que si la batterie est allumée.

Pour cela :

- Appuyez brièvement sur le bouton ON/OFF situé sur le boîtier de la batterie. La LED rouge indique que la batterie est sous tension.
- Pour l'éteindre, appuyez à nouveau sur le bouton ON/OFF pendant 2 secondes.
- La batterie se met automatiquement hors tension au bout de 60 minutes.



REMARQUE :

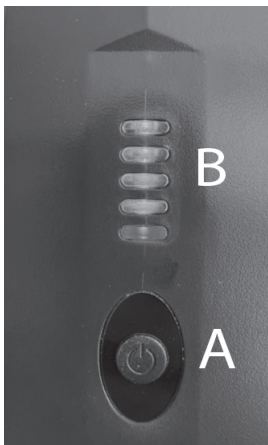
- Pensez à toujours éteindre la batterie lorsque vous n'utilisez pas le dispositif de traction. Vous éviterez ainsi tout afflux de courant et limiterez le risque de voir la batterie se décharger.

⚠ AVERTISSEMENT !

- Pensez à toujours éteindre la batterie avant de décrocher le dispositif de traction.

7.5. Indicateur d'état de charge de la batterie

La batterie possède un indicateur d'état de charge intégré. Il est placé à l'avant de la batterie. Cet indicateur vous informe rapidement et simplement sur l'état de charge de la batterie.



- Appuyez brièvement sur le bouton ON/OFF (A).
- 4 voyants LED (B) = Chargé à 100 %, 3 voyants LED = 75 %, 2 voyants LED = 50 %, 1 voyant LED = 20 %
- L'indicateur s'éteint automatiquement au bout de 10 secondes environ.

7.6. Retrait de la batterie

- La batterie est amovible pour faciliter la recharge ou la protéger contre le vol.
- Pour éviter le retrait illicite de la batterie, le support de batterie est doté d'un verrou.
- Vous pouvez déposer la batterie de la façon suivante :
 - Mettez la batterie hors tension (voir la section Mise sous et hors tension de la batterie).
 - Ouvrez le verrou à l'aide de la clé. Pour ce faire, introduisez la clé dans le verrou et tournez-la à 90° dans le sens anti-horaire jusqu'à la butée. Laissez-la dans cette position.
 - Inclinez la batterie vers la droite (face au sens de la marche). Pour cela, maintenez la batterie par le haut et poussez-la latéralement.
- Pour installer la batterie, placez la partie inférieure sur le plancher du support de batterie, puis enfoncez délicatement la partie supérieure de la batterie contre son support, puis vers la gauche (face au sens de la marche) jusqu'à enclenchement de la batterie.



REMARQUE :

- Le dispositif de traction est livré avec deux clés identiques. Rangez-les séparément et notez leur numéro.

7.7. Charge de la batterie

Chargez complètement la batterie avant sa toute première utilisation. Le niveau de charge de la batterie au moment de la livraison est en général de l'ordre de 30 %. La batterie peut être chargée jusqu'à n'importe quel niveau, cela n'a aucune incidence sur sa durée de vie. Pour lui garantir une durée de vie optimale, rechargez toujours la batterie à une température comprise entre +10 °C et +25 °C.

- Pour recharger la batterie, vous pouvez la déposer ou la laisser en place sur le dispositif de traction.
- Pour la charger, branchez la batterie au chargeur fourni avec le produit. Écartez les caches en caoutchouc de la prise de recharge de la batterie, puis branchez la fiche dans la prise et serrez l'écrou borgne.
- Branchez maintenant la prise d'alimentation du chargeur au secteur
- Pendant la recharge, le voyant LED du chargeur est allumé en rouge.
- Une fois la batterie entièrement rechargée, le voyant du chargeur devient vert.
- Les voyants LED de l'indicateur de charge de la batterie indiquent également l'état de charge de la batterie.

REMARQUE :

- Avant d'insérer la fiche mâle dans la fiche femelle, vérifiez que les deux extrémités sont propres et exemptes de particules métalliques. En présence de particules, essuyez les extrémités à l'aide d'un chiffon propre et sec afin de les éliminer.
- Le dispositif de traction ne peut pas être utilisé pendant la recharge.

AVERTISSEMENT !

- Ne laissez pas les batteries/pack de batteries sans surveillance pendant la recharge.
- Dès que la batterie est complètement chargée, la charge s'interrompt automatiquement. Cela évite la surcharge de la batterie.
- Ne laissez pas le chargeur branché inutilement à la prise murale.
- Une fois la recharge terminée, débranchez toujours le câble du chargeur de la prise murale avant de le débrancher de la batterie.
- Avant d'utiliser votre matériel, vérifiez toujours le niveau de charge de la batterie.
- La batterie doit être entièrement rechargée avant toute utilisation afin de permettre l'assistance motorisée.
- La batterie doit être exclusivement rechargée dans un environnement sec et à une température comprise entre 0 °C et 40 °C.
- Nous recommandons de charger complètement la batterie avant de l'entreposer pour une période prolongée, par ex. entreposage hivernal, et de la recharger régulièrement (environ tous les 12 semaines).

7.8 Garantie des batteries :

Les garanties couvrant les batteries sont soumises à des périodes définies par les fabricants. Cependant, la plupart des garanties sont sujettes à une disposition spécifique relative à l'usure. Par conséquent, si l'une de vos batteries venait à être complètement usée au bout de 24 mois, il vous sera impossible d'en obtenir une en faisant jouer la garantie.

8.0 Maintenance et dépannage

Le dispositif de traction est équipé d'une roue de 12 ou de 16 pouces.

Assurez-vous que les pneus sont toujours gonflés à la bonne pression car les caractéristiques de conduite en dépendent fortement. Si les pneus sont sous gonflés, le déplacement et la manœuvrabilité du bike seront plus difficiles en raison de la plus grande résistance au roulement, et nécessiteront plus d'efforts de la part de l'utilisateur.

La pression optimale du pneu (en général de 3-4 bars) est indiquée sur la paroi du pneu.

8.1. Montage et réparation des pneus :

Pour déposer la roue/le pneu :

- Éteignez la batterie et retirez-la délicatement du dispositif de traction.
- Débranchez le câble qui relie la roue motrice au dispositif de traction. Veillez à protéger la fiche contre les salissures et l'humidité, et nettoyez les contacts à l'aide d'un chiffon sec et propre. Ne nettoyez jamais les contacts à l'aide d'une huile lubrifiante ou pénétrante.
- Déposez la roue motrice. Pour cela, dévissez les écrous de retenue maintenant la roue motrice sur la fourche, puis abaissez la roue motrice pour l'extraire de la fourche.
- Dégagez le pneu de la jante à l'aide de deux démonte-pneus.

Avant d'insérer une nouvelle chambre à air :

Inspectez la base de la jante et la paroi interne du pneu et éliminez tout éventuel corps étranger. Nettoyez soigneusement si nécessaire.

Vérifiez l'état du fond de jante, surtout autour de l'orifice de la valve. Le fond de jante doit être parfaitement adapté pour protéger efficacement la chambre à air contre tout endommagement causé par les rebords et les extrémités pointues des rayons.

Pour réinstaller :

- Placez la chambre à air à l'intérieur du pneu et posez le pneu sur la jante.
- Alignez la tubulure de la valve avec la découpe dans la jante.
- Orientez l'embout de la chambre à air vers l'extérieur.
- Gonflez lentement à une pression de 3-4 bars.
- Insérez la roue motrice dans la fourche.
- Serrez les écrous à 40 NM.
- Branchez la fiche du câble du moteur sur le dispositif de traction. Vérifiez que la fiche est propre, qu'il n'y a ni saleté, ni humidité. Nettoyez les contacts à l'aide d'un chiffon propre et sec, si besoin est. Ne nettoyez jamais les contacts à l'aide d'une huile lubrifiante ou pénétrante.
- Insérez délicatement et mettez la batterie sous tension.

DANGER !

Veillez à appliquer le bon couple pour les écrous à gauche et à droite de la fourche (40 Nm).

Après avoir remonté les pneus, vérifiez la pression encore une fois.

8.2 Entretien régulier

Votre dispositif de traction est soumis à d'importants niveaux de contrainte pendant son fonctionnement, il est donc important de le faire réviser régulièrement pour garantir sa sécurité.

DANGER !

Effectuez les inspections visuelles et tâches de maintenance décrites ci-dessous régulièrement, au moins une fois par mois, et idéalement avant chaque utilisation :

- Vérifiez que les vis et fixations sont bien serrées.
- Vérifiez tous les feux sur le plan fonctionnel et de la sécurité (le cas échéant).
- Vérification fonctionnelle et de sécurité du système d'amarrage (dispositif de traction et fauteuil) afin de vérifier la sécurité et déceler les signes d'usure des pièces.
- Inspectez les patins de frein afin de déceler tout signe d'usure et vérifiez le bon fonctionnement des freins. Le patin de frein doit être régulièrement réajusté/entretenu par un revendeur.
- Vérifiez le bon fonctionnement des freins (faites remplacer les câbles et les patins, si nécessaire)
- Inspectez visuellement la fourche et le sous-châssis intermédiaire afin de déceler toute éventuelle détérioration (par ex. fissure, corrosion, déformation, etc.)
- Inspectez visuellement le châssis du fauteuil roulant et les montants du dossier afin de déceler toute éventuelle détérioration (par ex. fissure, déformation, etc.)
- Vérifiez l'état des pneus (sculpture, fissures, détérioration) et remplacez si nécessaire.
- Inspectez la tension des rayons, ainsi que la jante et le moyeu des roues (dispositif de traction et fauteuil) afin de déceler toute éventuelle détérioration.
- Inspectez tous les câbles et raccordements électriques.
- Vérifiez que le raccord de direction et le guidon sont correctement montés.

8.3 Système électrique

En présence de codes d'anomalie ou de dysfonctionnement du système électrique du dispositif de traction :

- Contactez votre revendeur.
- Mettez le dispositif de traction sous tension et faites-le avancer manuellement sur 1 mètre. Vérifiez son fonctionnement.
- Éteignez la batterie et retirez-la délicatement du dispositif de traction.
- Inspectez toutes les prises facilement accessibles afin d'éliminer les éventuelles saletés ou traces d'humidité. Si nécessaire, nettoyez les contacts à l'aide d'un chiffon sec et propre. Vous pouvez utiliser un spray, si nécessaire, mais ne nettoyez jamais les contacts à l'aide d'une huile lubrifiante ou pénétrante.

9.0 Caractéristiques techniques

Données générales	
Tension de fonctionnement	36 V
Distances parcourues	jusqu'à 50 km* (avec batterie 14 A) / jusqu'à 26 km* (avec batterie 8 A)
Options de vitesse max.	6 km/h ; en option 10/15/20 km/h (3 niveaux de vitesse réglables)
Tenue en côte (nominale)	jusqu'à 11 % (6 °)
Stabilité dynamique (inclinaison nominale)	6° / 10.5%
Normes d'inflammabilité	Testé conformément à la norme EN-12184.
Charge maximale	120 kg
Poids total	À partir de 15,5 kg (avec batterie 14 A) / À partir de 15 kg (avec batterie 8 A)
Température d'entreposage du dispositif	Testé conformément à la norme ISO 7176-9 qui prévoit une température de fonctionnement comprise entre -25 et +50 °C et une température d'entreposage comprise entre -40 et +65 °C.

	12"	16"
Longueur totale (max.)	638 mm	667 mm
Largeur totale (max.)	580 mm	580 mm
Hauteur totale (max.)	803 mm	850 mm

Données relatives au moteur :		
Taille de la roue	12"	16"
Tension nominale	36 V	36 V
Puissance	250 W (Nominal) 630 W (Max)	250 W (Nominal) 750 W (Max)
Torsion minimale	40 Nm	60 Nm
Indice de protection	IP44	IP44
Bruit produit par le moteur	max. 65 +/-5 dbA à 1 m de distance	max. 65 +/-5 dbA à 1 m de distance
Garantie	2 ans	2 ans

Données relatives à la batterie	
Type de batterie	Lithium-ion
Tension nominale	36 V
Capacité	14 Ah / 8 Ah
Puissance électrique	504 Wh / 288 Wh
Courant de décharge	15 A (continu) 18 A (moins de 10 minutes) 35 A (moins de 5 minutes)
Temps de recharge	7-8 heures (environ avec courant de charge de 2 A pour batterie de 14 A) / 3,5-4 heures (environ avec courant de charge de 4 A pour batterie de 14 A).
Plage de températures de recharge	0 - 40°C
Température de fonctionnement	-15° à 45°
Températures de stockage	De -15 °C à 45 °C (jusqu'à 1 mois) / De -15 °C à 35 °C (jusqu'à 6 mois)
Nombre maximum de cycles de recharge	1000
Indice de protection	IP65
Garantie	2 ans
Ecran	Etat de charge
Fonctions	Bouton marche/arrêt
Poids du pack de batterie :	2,6 kg (14 Ah) / 2,1 kg (8 Ah)

Chargeur de batteries	
Entrée	100-240V AC
Tension Fin de charge	42 V
Courant de charge	2,0 A / 4,0 A
Indice de protection	IPx4

Boîtier de commande	
Tension nominale	36 V
Courant max.	15 A
Indice de protection	IP54

Ecran	
Affichages	État de charge de la batterie Niveau de conduite Distance totale / Distance du trajet Temps de trajet Vitesse actuelle en km/h / mph Vitesse moyenne Vitesse maximale Puissance du moteur actuelle en Watt Codes d'erreur

Accélérateur	
Indice de protection	IPX4

Frein électrique	
Indice de protection	IPX4

Unité de commande Avant/Arrière, Régulateur de vitesse	
Indice de protection	IPX4

Frein mécanique	
Indice de protection	IPX4

* Le champ d'action dépend du terrain et des conditions de conduite. Le champ d'action ici indiqué est établi en tenant compte de conditions de déplacement optimales (terrain non accidenté, batterie neuve et entièrement rechargée, température ambiante de 20 °C, conduite souple, etc.). Avec des températures inférieures, le champ d'action du dispositif de traction pourra être inférieur à celui indiqué ici.

10.0 Remarques sur l'entreposage

Batterie :

- Protégez immédiatement la batterie après l'avoir débranchée du chargeur ou du moteur. Protégez toujours la batterie contre l'humidité et les corps étrangers (par ex. fragments métalliques, clous, résidus ou autres métaux conducteurs).
- Évitez de l'entreposer dans des endroits humides afin d'empêcher l'apparition de corrosion sur les bornes de la fiche.
- Entreposez la batterie à l'abri des sources d'humidité (eau, pluie, neige, etc.).
- Avant d'entreposer la batterie, rechargez-la complètement et vérifiez son niveau de charge tous les 3 mois.
- Entreposez la batterie dans un lieu frais et sec où elle ne risque pas d'être endommagée et dont l'accès est limité aux seules personnes autorisées.
- Pour lui garantir une durée de vie utile optimale, entreposez la batterie à une température ambiante comprise entre 10°C et 25°C avec une humidité relative comprise entre 20 % et 75 %.
- N'entreposez pas la batterie dans des environnements où la température peut être supérieure à 45 °C ou inférieure à -15 °C.
- Évitez de l'exposer à la lumière directe du soleil.
- Lorsque la batterie est inutilisée pendant des périodes prolongées, rechargez-la au moins toutes les 12 semaines pour la maintenir en bon état de fonctionnement.

Dispositif de traction :

- Entreposez le dispositif de traction dans un endroit sec, à l'abri de la pluie et de la neige.
- En cas d'entreposage prolongé, recouvrez le dispositif de traction afin de le protéger contre la poussière.
- N'entreposez pas le dispositif de traction dans des environnements où la température peut être supérieure à 45 °C ou inférieure à -15 °C.
- Si vous n'utilisez pas le dispositif de traction pendant de longues périodes, nous recommandons de l'allumer toutes les 4 semaines et de faire tourner la roue pendant environ 5 minutes à faible vitesse de sorte que la graisse soit répartie sur tous les roulements pour éviter l'apparition de corrosion.
- Après une période d'entreposage prolongée, vérifiez le bon fonctionnement des freins et l'état des pneus avant de prendre la route.

11.0 Nettoyage et entretien

Nettoyage :

- Votre dispositif de traction doit être nettoyé régulièrement, et après les longs trajets. Utilisez pour cela un produit nettoyant ménager ordinaire mélangé à un peu d'eau.
- Pour nettoyer l'écran d'affichage, la batterie et les composants électroniques, utilisez exclusivement un chiffon légèrement humide (pas mouillé).
- Vous pouvez nettoyer la roue motrice à l'aide d'une éponge et d'une brosse souple.
- Les attaches sur le fauteuil et le système d'amarrage peuvent être nettoyées à l'eau avec une éponge non abrasive ou une brosse souple (nettoyage recommandé après chaque utilisation).
- Après chaque nettoyage, appliquez une huile pénétrante (par ex. Ballisto WD 40, Caramba...) pour lubrifier les organes mobiles du système d'amarrage.

ATTENTION !

- Ne nettoyez jamais votre matériel à l'aide d'un appareil à vapeur ou d'un jet à haute pression.
- N'utilisez jamais d'agents nettoyants abrasifs, acides ou agressifs.
- Évitez tout contact de l'eau avec les composants électriques.

Mesure d'hygiène en cas de cession du fauteuil :

Avant de laisser une autre personne utiliser le fauteuil, il convient de le préparer soigneusement. Toutes les surfaces entrant en contact avec le nouvel utilisateur doivent être désinfectées.

Pour ce faire, vous devez utiliser un désinfectant figurant dans la liste des produits homologués / recommandés dans votre pays, pour une désinfection rapide à base d'alcool pour produits et appareils médicaux nécessitant d'être désinfectés rapidement.

Veillez prendre connaissance des instructions du fabricant du produit désinfectant utilisé.

En règle générale, une désinfection totale ne peut être garantie sur les coutures. Par conséquent et conformément à la réglementation locale relative à la protection contre les infections, il est recommandé de mettre au rebut la toile du siège et du dossier afin d'éviter toute contamination micro-bactérienne par les agents actifs.

12.0 Mise au rebut et Recyclage

REMARQUE : Si le dispositif de traction a été mis à votre disposition dans le cadre d'un programme de don ou de prêt médical, il se peut qu'il ne vous appartienne pas. Si vous n'en avez plus usage, veuillez le rendre à l'organisation qui vous l'a fourni.

Les appareils électriques et électroniques doivent être éliminés séparément du reste des déchets ménagers, dans des infrastructures spécialisées. La mise au rebut et le ramassage spécifiques des appareils en fin de vie sont destinés à préserver l'environnement et la santé publique. La réutilisation et le recyclage des appareils électriques et électroniques est une obligation.

Pour obtenir des informations détaillées sur l'élimination de votre matériel, contactez votre municipalité, le service d'élimination des déchets, le revendeur spécialisé auprès duquel vous vous êtes procuré votre matériel ou votre représentant commercial.

Ces informations valent uniquement pour le matériel installé et commercialisé dans les pays de l'Union européenne, et soumis à la directive européenne 2002/96/CE. Pour les pays en dehors de l'Union européenne, des conditions différentes peuvent s'appliquer pour l'élimination des déchets électriques et électroniques.

Matériaux utilisés :

La section suivante décrit les différents matériaux composant le dispositif de traction en vue de la mise au rebut ou du recyclage du dispositif de traction et des matériaux d'emballage. Respectez la réglementation en vigueur relative à la mise au rebut ou au recyclage de votre dispositif de traction. (notamment le nettoyage ou la décontamination du dispositif de traction avant sa mise au rebut).

Aluminium :	Roues, parties du châssis, levier de freinage principal, guidon, attaches d'arrimage, fourche et sous-châssis
Acier :	Colonne de direction, châssis et sous-châssis
Plastique :	Poignées, ergots, parties du compartiment, pneus et caches des attaches
Emballage :	Composé de polyéthylène, carton
Batterie :	Lithium-ion (produit dangereux)
Fibre de carbone :	Garde-boue

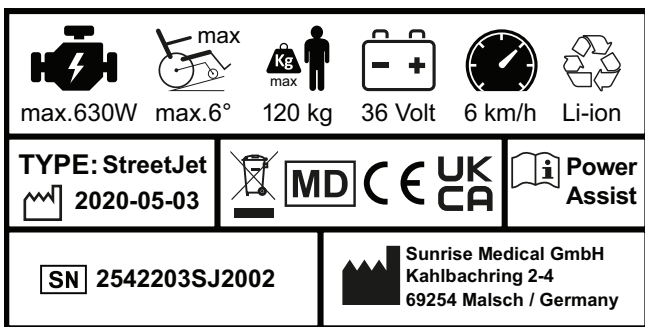
Pour plus d'informations, reportez-vous à la section sur la batterie.



13.0 Plaque signalétique

La plaque signalétique est apposée sur le cadre et reproduite dans le manuel d'utilisation. La plaque indique la dénomination exacte du modèle et fournit diverses informations techniques. Pour une commande de pièces de rechange ou une réclamation, indiquez SVP les informations suivantes :

ECHANTILLON



ISO 7010-M002
L'utilisateur doit impérativement lire le manuel d'utilisation/livret !
(Icône bleue)

Type :	Désignation du produit/Numéro de SKU
	Pente maximale pouvant être négociée par le fauteuil amarré au dispositif de traction. Dépend de la configuration du matériel, de la posture et des capacités physiques de l'utilisateur.
	Charge maximale.
	Marquage UKCA
	Marquage CE
	Notice d'utilisation
	Vitesse maximale
	Tension électrique / V=Volt
	Performance du moteur
	Les cellules contiennent du lithium
	Doit être mis au rebut séparément des déchets ménagers courants
	Numéro de série
	Ce symbole signifie Medical Device (Dispositif médical)
	Coordonnée de fabricants.
	Date de fabrication.
	Adresse de l'importateur
	Responsable Royaume-Uni
	Adresse du représentant en Suisse
	Symbole indiquant que le fauteuil roulant ne peut être utilisé comme siège à bord d'un véhicule motorisé.

Conformément à notre politique d'amélioration continue dans la conception de nos fauteuils roulants et dispositifs de traction, les spécifications des produits décrites dans le présent manuel peuvent varier des exemples illustrés. Toutes les valeurs relatives aux poids et aux dimensions et les données de performance sont approximatives et fournies à titre d'information uniquement.

Tous les dispositifs de traction doivent être utilisés conformément aux instructions du fabricant.



Sunrise Medical GmbH
Kahlbachring 2-4
69254 Malsch/Heidelberg
Deutschland
Tel.: +49 (0) 7253/980-0
Fax: +49 (0) 7253/980-222
kundenservice@sunrisemedical.de
www.SunriseMedical.de

Inhoudsopgave

Voorwoord	61
Gebruik	62
Toepassingen	62
1.0 Algemene veiligheidsvoorschriften en rijbeperkingen	63
Veiligheidsvoorschriften - controle voor iedere rit.	64
Veiligheidsvoorschriften - tijdens het rijden	64
Veiligheidsvoorschriften - nadat u de aankoppelbike hebt gebruikt:	64
2.0 Garantie	65
Aansprakelijkheid	65
3.0 Gebruik	66
Levering:	66
Uitpakken:	66
Aanpassen van het stuur:	66
Bevestigen van de display:	66
Opslag:	66
Veiligheid:	66
4.0 Eerste montage op de rolstoel	67
4.1 Aanbrengen van de klemmen op de rolstoel	67
4.2 Monteren van de aankoppelbike en montagehoek correct aanpassen	68
5.0 Aan- en afkoppelen van de aankoppelbikedoor de gebruiker	71
5.1. Aankoppelen	71
5.2. Afkoppelen	71
6.0 Gebruik	72
6.1. Remmen	72
6.2. In- en uitschakelen	72
6.3. Het kiezen van de rijrichting	73
6.4. Bedienen van de snelheid (gashendel)	73
6.5. Keuze van de rijniveaus	74
6.6. Cruise control	74
6.7. Functies van de display	75
7.0 Accu en oplader	77
7.1 Inleiding	77
7.2 Veiligheidsvoorschriften voor de accu en oplader	77
7.3. Transport in vliegtuigen	79
7.4. Aan- en uitschakelen van de accu	79
7.5. Display voor laadstatus van de accu	80
7.6. Losmaken van de accu	80
7.7. Opladen van de accu	81
7.8 Garantie op de accu's:	81
8.0 Onderhoud en probleem-oplossen	81
8.1. Monteren en repareren van banden:	81
8.2 Algemeen onderhoud	82
8.3 Elektronische systeem	82
9.0 Technische specificaties	83
10.0 Opslag	85
11.0 Reiniging en hygiëne	85
12.0 Afvalverwerking en recycling	86
13.0 Sticker	87

Betekenis van woorden die in deze handleiding worden gebruikt.

Woord	Betekenis
 GEVAAR!	De gebruiker wordt geattendeerd op de kans op ernstig letsel of overlijden indien het advies niet wordt opgevolgd.
 WAARSCHUWING!	De gebruiker wordt geattendeerd op de kans op letsel indien het advies niet wordt opgevolgd.
 OPGELET!	De gebruiker wordt geattendeerd op de kans op schade aan de apparatuur indien het advies niet wordt opgevolgd.
OPMERKING:	Algemeen advies of beste gebruik
	Verwijzing naar aanvullende documentatie

OPMERKING:

- Noteer het adres en telefoonnummer van uw plaatselijke dealer in de daarvoor bestemde ruimte.
- Neem in het geval van storingen contact met de dealer op en probeer zoveel mogelijk relevante informatie te geven zodat hij u snel kan helpen.
- De in deze handleiding getoonde en beschreven elektrische aankoppelbikes kunnen mogelijk qua details afwijken van uw eigen model. Alle instructies zijn echter belangrijk, ongeacht de verschillen in detail.
- De fabrikant houdt zich het recht voor zonder opgaaf gegevens met betrekking tot gewicht, maten of andere technische gegevens zoals genoemd in deze handleiding, te wijzigen. Alle afbeeldingen, maten en mogelijkheden zoals getoond in deze handleiding zijn slechts indicatief en bevatten geen specificaties.

Dealer signature and stamp



Voorwoord

Beste klant,

Wij zijn erg blij dat u gekozen hebt voor een kwalitatief hoogstaand SUNRISE MEDICAL-product.

Deze gebruikershandleiding bevat vele tips en ideeën waardoor uw nieuwe aankoppelbike een betrouwbare partner in uw leven wordt.

Wij van Sunrise vinden het heel belangrijk om goede banden met onze klanten te onderhouden. Daarom willen wij u op de hoogte houden van de huidige en de nieuwe ontwikkelingen in ons bedrijf. Een goede band met onze klanten betekent ook: snelle service, uitstekende toegankelijkheid en nauwe samenwerking met onze klanten. Wanneer u vervangende onderdelen of accessoires nodig hebt, of als u vragen hebt over uw hulpmiddel, kunt u altijd contact met ons opnemen.

Wij willen dat u tevreden bent over onze producten en diensten. Bij Sunrise werken we voortdurend aan verdere ontwikkeling van onze producten. Daarom kunnen in onze producten wijzigingen met betrekking tot vorm, technologie en apparatuur worden doorgevoerd. Er zijn dan ook geen juridische vorderingen mogelijk op basis van de gegevens of de afbeeldingen in deze gebruikershandleiding.

Het managementsysteem van SUNRISE MEDICAL is gecertificeerd en voldoet aan de ISO 13485 en ISO 14001.

 **SUNRISE MEDICAL verklaart als fabrikant dat dit product voldoet aan de EU-verordening Medische hulpmiddelen (Medical Device Regulation, MDR) (2017/745).**

OPMERKING:

Algemeen advies.

Wanneer deze instructies niet worden opgevolgd, kan dit leiden tot fysiek letsel, schade aan het product of schade aan de omgeving!

Een mededeling aan de gebruiker en/of patiënt: Als dit product betrokken was bij een ernstig incident, dient dit aan Sunrise Medical en de bevoegde autoriteit van de Lidstaat waarin de gebruiker en/of patiënt is gevestigd, te worden gemeld.

Built-4-Me speciale aanpassingen

Sunrise Medical adviseert nadrukkelijk alle bij uw Built-4-Me product meegeleverde gebruikersinformatie zorgvuldig door te lezen voordat u het product voor het eerst gebruikt. Alleen wanneer u de gebruiksaanwijzingen volledig hebt doorgelezen en begrijpt, bent u ervan verzekerd dat het Built-4-Me product functioneert en presteert zoals de fabrikant dit heeft bedoeld.

Sunrise Medical adviseert tevens de gebruikersinformatie na het lezen niet weg te gooien, maar het veilig op te bergen, zodat u de informatie later nog eens kunt doornemen.

Combinaties van medische hulpmiddelen

Dit medische hulpmiddel moet altijd in combinatie met één ander medisch hulpmiddel of een ander product worden gebruikt. Kijk voor informatie over mogelijke combinaties op www.Sunrisemedical.nl. Alle op de lijst vermelde combinaties zijn gevalideerd om te voldoen aan de Algemene veiligheids- en prestatievereisten, Bijlage I nr. 14.1 van de MDR - Verordening voor Medische hulpmiddelen (2017/745).

Richtlijnen voor de combinatie, zoals de bevestiging, vindt u in deze handleiding.

Neem contact op met uw plaatselijke erkende SUNRISE MEDICAL dealer als u vragen hebt over het gebruik, onderhoud of de veiligheid van uw aankoppelbike.

Als er in uw regio geen erkende dealer gevestigd is, en u vragen hebt betreffende productveiligheid of terugroepacties, kunt u schriftelijk of telefonisch contact opnemen met Sunrise Medical.

Sunrise Medical HCM B.V.

Vossenbeemd 104

5705 CL Helmond

The Netherlands

T: +31 (0)492 59 38 88

E: info@sunrisemedical.nl

www.SunriseMedical.nl



Gebruik uw aankoppelbike niet voordat u deze gebruikershandleiding hebt gelezen en begrepen.

Volg de instructies op die in de gebruikershandleiding worden gegeven.

Gebruik

De Empulse StreetJet is een aan de rolstoel bevestigde, elektrische aankoppelbike waarmee de mobiliteit en de integratie van de rolstoelgebruiker in het dagelijks leven wordt ondersteund. Hij is bedoeld voor persoonlijk gebruik, binnen en buiten.

Het maximale gebruikersgewicht (inclusief de gebruiker en de op de aankoppelbike gemonteerde accessoires) staat vermeld bij het serienummer. Het serienummer staat op het frame en is vermeld in de gebruikershandleiding.

Aansprakelijkheid wordt uitsluitend geaccepteerd indien het product wordt gebruikt onder die specifieke omstandigheden en voor het doel waarvoor het product is gemaakt.

Levensduur

De verwachte levensduur van het product is vijf jaar, op voorwaarde dat:

- de elektrische aankoppelbike strikt in overeenstemming met het bedoelde gebruik wordt gebruikt;
- het voorgeschreven onderhouds- en serviceprogramma wordt nageleefd.

GEVAAR!

- Monteer nooit niet-erkend elektrisch apparaat.

Toepassingen

De aankoppelbike biedt de gebruiker de mogelijkheid om veilig op een ergonomisch en ecologisch verantwoorde wijze, lange afstanden af te leggen, waarbij de eigen rolstoel wordt gebruikt. De actieradius van de rolstoelgebruiker wordt hierdoor aanzienlijk vergroot. De aangekoppelde rolstoel moet zijn uitgerust volgens de geldende verkeersregels wanneer deze wordt gebruikt op openbare wegen, stoepen en in openbare ruimtes.

Indicaties

De aanpasbaarheid en het modulaire ontwerp betekenen dat het hulpmiddel kan worden gebruikt door personen die niet kunnen lopen of beperkt mobiel zijn vanwege:

- Verlamming
- Amputatie (van been of benen)
- Disfunctioneren of misvorming van extremiteiten
- Contractuur van/letsel aan gewrichten
- Ziektes zoals hart- en vaatziekten, evenwichtsstoringsen of cachexie evenals voor oudere mensen die nog kracht in het bovenlichaam hebben.

Contra-indicaties

De elektrische 'pull-on'- en 'add-on'-aandrijfeenheden mogen niet worden gebruikt bij:

- Waarnemingsstoornissen
- Evenwichtsstoornissen
- Verlies van beide armen
- Gewrichtscontractuur of beschadiging van gewrichten in beide armen
- Onvermogen om te zitten
- Fysiek en mentaal onvermogen om de aandrijfeenheid bij alle handelingen (sturen, remmen, ...) in alle situaties veilig te bedienen
- Niet voldoen aan de wettelijke vereisten voor het gebruik op de openbare weg.

OPMERKING:

NB: het besturen van een rolstoel vereist voldoende cognitieve, fysieke en visuele vaardigheden. De gebruiker moet in staat zijn de effecten van handelingen tijdens het gebruik van de rolstoel te beoordelen en deze zo nodig te corrigeren. Deze vermogens en het veilige gebruik van aanvullend bevestigde onderdelen kunnen niet door Sunrise Medical als fabrikant worden beoordeeld. We kunnen geen aansprakelijkheid voor schade als gevolg hiervan accepteren.

Lees de gebruiksaanwijzing van de rolstoel en de aanvullend aangebrachte onderdelen door. Instrueer de gebruiker over het veilige gebruik van de rolstoel en de aanvullend bevestigde onderdelen. Informeer gebruikers over specifieke waarschuwingen die gelezen, begrepen en gerespecteerd moeten worden.

Gebruiksvoorwaarden

De aankoppelbike heeft geen problemen met asfaltoppervlaktes en harde paden in heuvelachtig terrein. Vermijd het rijden over onverharde of losse oppervlaktes (zoals losse steentjes, zand, modder, sneeuw, ijs of door diepe plassen). Hierdoor kan de gebruiker aan onvoorziene risico's worden blootgesteld.

Het is niet in alle landen toegestaan om de Empulse StreetJet met maximum snelheidsinstellingen hoger dan 6 km/u op de openbare weg te gebruiken. In sommige landen mag de Empulse StreetJet met maximum snelheidsinstellingen hoger dan 6 km/u uitsluitend op privéterrein worden gebruikt.

Bij het ontbreken van goedkeuring, in overeenstemming met de verkeersregels, mag de Empulse StreetJet niet op de openbare weg, op fietspaden of stoepen worden gebruikt. U dient zelf informatie in te winnen over de landspecifieke wetgeving betreffende het gebruik en uw wettelijke verplichting om de Empulse StreetJet te verzekeren.

Wanneer u de Empulse StreetJet meeneemt op reis, controleer dan altijd de specifieke wetgeving in het betreffende land.

1.0 Algemene veiligheidsvoorschriften en rijbepalingen

De technologie en constructie van deze aankoppelbike zijn ontworpen met het oog op maximale veiligheid. Aan de momenteel van kracht zijnde internationale veiligheidsnormen is voldaan en zij zijn overtroffen.

Desondanks kunnen gebruikers zichzelf aan gevaar blootstellen als ze hun aankoppelbike oneigenlijk gebruiken. Voor uw eigen veiligheid moeten de volgende regels absoluut worden opgevolgd.

Onprofessionele of foutieve aanpassingen of instellingen kunnen de kans op ongelukken vergroten. Als gebruiker van een aankoppelbike, maakt u, net als andere mensen, deel uit van het dagelijkse verkeer op straat en op de stoep. Wij herinneren u er aan dat u daardoor ook onderworpen bent aan alle verkeerswetgeving.

Wees voorzichtig wanneer u voor het eerst met deze aankoppelbike rijdt. Leer het apparaat eerst kennen.

WAARSCHUWING!

- Wanneer de maximale belasting wordt overschreden, kan dit leiden tot schade aan het product, verlies van controle, of ernstig letsel van de gebruiker en/of anderen.
- Wees voorzichtig wanneer u de aankoppelbike gebruikt. Rem altijd af wanneer u over lastige obstakels rijdt, zoals treden, stoepen, randen of diepe kuilen.
- De aankoppelbike is niet in overeenstemming met ISO 7176-19 getest en goedgekeurd. Het is daarom niet toegestaan om de gebruiker in de rolstoel met de aangekoppelde Empulse StreetJet in een auto te vervoeren. Wanneer een combinatie van een rolstoel met aankoppelbike wordt vervoerd, moet de gebruiker in een autostoel zitten en mag niet op de rolstoelcombinatie blijven zitten. De rolstoelcombinatie zelf (zonder gebruiker) moet tijdens transport wordt vastgezet en verankerd zodat hij niet kan verrijden.
- De aankoppelbike mag uitsluitend worden gebruikt door één persoon. Iedere andere manier van gebruik komt niet overeen met het bedoelde gebruik.
- Het gebruik van de aankoppelbike wordt uitsluitend aanbevolen voor die mensen die de juiste fysieke en psychische gesteldheid hebben om goed in het verkeer op de openbare weg te functioneren.
- Let op dat u zich aan alle verkeerswetten moet houden wanneer u zich op de openbare weg begeeft.
- Wanneer u de aankoppelbike net gebruikt, moet u zeer voorzichtig rijden.
- Leer de remwegen bij uiteenlopende snelheden kennen.
- Zorg ook dat u de algemeen geldende verkeersregels kent!
- Om een stabiele wegligging te bereiken wanneer u recht vooruit rijdt, adviseren we haastige stuurbewegingen te voorkomen wanneer u snel rijdt of de bocht om gaat.
- Een driewielig voertuig heeft andere rijeigenschappen dan een vierwielig voertuig. Zorg dat u op de hoogte bent van de verschillen.
- Houd altijd het stuur stevig met beide handen vast wanneer u rijdt, remt of manoeuvreert. Wanneer u dit nalaat, wordt de kans op een ongeluk door een stuurfout vergroot.
- De snelheid moet worden aangepast aan de technische vermogens van de aankoppelbike en de gebruiker en aan het terrein.
- Gebruik 's nachts en bij schemering altijd de verlichting.
- Rij alleen op asfaltwegen, of verharde, vlakke oppervlaktes.

- Wees voorzichtig wanneer u over stoepen, treden, putdeksels en dergelijke rijdt; bij het nemen van dergelijke obstakels is er een verhoogd risico op kantelen.
- Pas uw rijstijl aan uw fysieke mogelijkheden aan.
- Rij langzaam en voorzichtig, vooral wanneer u de bocht om gaat.
- Raak de motor niet aan, want hij kan heel heet worden.
- Breng uw aankoppelbike regelmatig (minstens één keer per jaar) bij de dealer voor een servicebeurt.
- Bij bewegende delen is er altijd een risico dat vingers beklemd raken. Doe daarom altijd voorzichtig.
- Als de aankoppelbike langdurig wordt blootgesteld aan direct zonlicht/externe warmtebronnen of lage temperaturen, kunnen onderdelen van uw aankoppelbike erg heet (>41°C) of erg koud (<0°) worden.
- De aankoppelbike mag niet worden gebruikt tijdens storm, zware regenval/sneeuwval, of op een gladde of slechte ondergrond.
- Gebruik uitsluitend productcombinaties die door Sunrise Medical zijn goedgekeurd.
- De standaardversie van uw elektrische aankoppelbike is getest wat betreft de toepasselijke vereisten met betrekking tot elektromagnetische straling (EMC-eisen). Ondanks deze testen:
 - Het kan niet worden uitgesloten dat elektromagnetische straling het rijgedrag van de aankoppelbike beïnvloedt. Bijvoorbeeld:
 - mobiele telefoons
 - medische apparatuur
 - stroomgeneratoren
 - hoogspanningsbronnen
 - andere bronnen van elektromagnetische straling
 - Kan het niet worden uitgesloten dat de aankoppelbike elektromagnetische velden kan verstoren. Bijvoorbeeld:
 - winkeldeuren
 - alarmsystemen in winkels
 - garagedeuropeners
- In het onwaarschijnlijke geval dat zich dergelijke problemen voordoen, vragen we u direct contact op te nemen met uw dealer.

GEVAAR!

VERSTIKKINGSGEVAAR - In dit mobiliteitshulpmiddel zijn kleine onderdelen verwerkt die onder bepaalde omstandigheden een verstikkingsgevaar voor kleine kinderen kunnen vormen.

De in deze handleiding getoonde en beschreven aankoppelbike is qua details mogelijk niet precies gelijk aan uw eigen model. Alle instructies zijn echter belangrijk, ongeacht de verschillen in detail.

OPMERKING: De in deze handleiding getoonde en beschreven elektrische aankoppelbikes kunnen mogelijk qua details afwijken van uw eigen model. Alle instructies zijn echter belangrijk, ongeacht de verschillen in detail. De fabrikant houdt zich het recht voor zonder opgaaf gegevens met betrekking tot gewicht, maten of andere technische gegevens zoals genoemd in deze handleiding, te wijzigen. Alle afbeeldingen, maten en mogelijkheden zoals getoond in deze handleiding zijn slechts indicatief en bevatten geen specificaties.

OPMERKING: We willen erop wijzen dat de modellen van de aankoppelbike die sneller gaan dan 6 km/uur, alleen in bepaalde landen mogen deelnemen aan het verkeer op de openbare weg. In andere landen mogen ze alleen op particuliere grond worden gebruikt.

De modellen die sneller rijden dan 6 km/u, mogen bij het ontbreken van goedkeuring en in overeenstemming met de verkeersregels niet op de openbare weg, en zelfs niet op fietspaden worden gebruikt. Het is uw verantwoordelijkheid om na te gaan welke wetgeving in uw land van toepassing is, en ook hoe het zit met verzekering of de verplichting om een rijbewijs te hebben voor modellen die harder rijden dan 6 km/u.

Wanneer u een model bestelt dat sneller rijdt dan 6 km/u, dient u met uw handtekening te bevestigen aan Sunrise Medical dat u deze informatie hebt begrepen en dat we deze versie moeten leveren.

Veiligheidsvoorschriften - controle voor iedere rit.

OPGELET!

- Controleer visueel de conditie van de wielen, inclusief de spaken, hoepels, schade aan banden (ook de wielen van de rolstoel) en controleer de bandenspanning. Op de zijkant van de band staat de juiste bandenspanning vermeld.
- De remweg en rijprestaties worden negatief beïnvloed door een te lage of te hoge bandenspanning. Ook zorgt een verkeerde bandenspanning voor extra slijtage.
- Controleer ook of het profiel van de banden nog voldoende is.
- Controleer of de rem correct werkt. Als de remmen niet 100% functioneren, mag de aankoppelbike niet worden gebruikt.
- Vermijd schade aan de bowdenkabels. Tijdens een transfer van of naar uw mobiliteitshulpmiddel, bestaat er een risico dat de kabel knikt.
- Voer een visuele controle uit op de vork, controleer op scheuren of breuk.
- Controleer of alle onderdelen, en met name alle bouten, goed vastzitten.
- Controleer of het stuur goed vast zit.
- Controleer de verbinding tussen het product en uw rolstoel. De klem moet direct op de metalen buis bevestigd zijn, zonder dat hier andere onderdelen (zoals beenbanden, framebeschermers) tussen zitten.
- Controleer het frame en de onderdelen van uw rolstoel op schade (zoals scheuren).
- Controleer of alle lichten functioneren en of de reflectoren in goede conditie zijn. Deze moeten tijdens gebruik altijd zichtbaar zijn.
- Controleer of uw voeten niet van de voetsteun van uw rolstoel kunnen afglijden. Gebruik eventueel een speciaal fixeershulpmiddel.
- Controleer alle kabels en elektrische aansluitingen.
- Controleer of de accu goed vastzit en volledig opgeladen is.
- Schakel de accu aan en controleer of de verlichting functioneert.
- Draag altijd een helm.

Veiligheidsvoorschriften - tijdens het rijden

WAARSCHUWING!

- Oefen eerst op vlak terrein om de aankoppelbike te leren kennen; rij pas hellingen op en af als u vertrouwd bent met het apparaat.
- Houd het stuur altijd stevig met beide handen vast. Als u dit niet doet is er een verhoogd risico op een ongeluk door een stuurfout.
- Pas altijd uw snelheid aan uw rijvaardigheid, het verkeer en de omstandigheden (weer, terrein).
- Wees vooral voorzichtig wanneer u trappen, randen, afdalingen of anderszins gevaarlijke gebieden nadert.
- Ga stapvoets rijden en leun met uw gewicht naar binnen als u door een bocht rijdt.
- Zet de rolstoelfietscombinatie altijd op de rem wanneer u staat te wachten voor een zebrapad, stoplicht, op heuvels, hellingen of afdaling.
- Door de grotere draaistraal is het soms niet mogelijk om te draaien in gangen of andere krappe ruimtes.
- Gebruik uitsluitend de daartoe bestemde beugels om voorwerpen (extra gewichten, fietstassen) aan te bevestigen.
- Houd u aan de maximaal toegestane snelheid (wandelsnelheid) wanneer u in voetgangersgebieden rijdt.
- Houd u altijd aan de verkeersregels wanneer u op de openbare weg en voetpaden rijdt.
- Vermijd onbestrate of losse oppervlaktes (zoals losse steentjes, zand, modder, sneeuw, ijs of diepe plassen).
- Vermijd abrupte stuurbewegingen.
- Rij niet recht een helling op of af.
- Keer niet op een helling.
- Op hellingen is de tractie van het aankoppelbike minder en het remmende effect is hierdoor aanzienlijk kleiner. De rijstijl en snelheid moeten altijd worden aangepast zodat het product te allen tijden veilig tot stilstand gebracht kan worden.
- Het is niet toegestaan om een aanhanger te trekken.
- Het is niet toegestaan op trappen te rijden.
- Obstakels, zoals stoepranden, moeten altijd met een lage snelheid en recht van voren / in een rechte hoek worden benaderd, om omkantelen en daarmee de kans op letsel, te voorkomen. De maximale obstakelhoogte is 50 mm, maar dit hangt af van de afstand tussen de zwenkwielen en de grond.
- Het moet worden voorkomen dat lichaamsdelen of onderdelen van de rolstoel klem komen te zitten wanneer u over of langs obstakels rijdt. Dit kan leiden tot valpartijen en ernstig letsel, maar ook tot schade aan het product.
- Wanneer u over een nat wegdek rijdt, is er een grotere kans op slipgevaar omdat de tractie van de wielen wordt verminderd. Pas uw rijstijl hierop aan.
- Gebruik altijd de hoofdrem om de aankoppelbike langzamer te laten gaan.
- Door uw lichaamsgewicht naar voren te brengen, kan worden voorkomen dat het aankoppelbike tijdens het remmen slipt.
- Rem niet te hard wanneer u door een bocht rijdt.

Veiligheidsvoorschriften - nadat u de aankoppelbike hebt gebruikt:

- Schakel het apparaat direct uit als u het niet gebruikt. Zo wordt ongewenst functioneren/ongewenste bewegingen door per ongeluk aanraken van de bedieningshendel, voorkomen.
- Ook wordt zo de accu gespaard.

2.0 Garantie

Garantievoorwaarden:

1. Indien een onderdeel of onderdelen van de aankoppelbike binnen 24 maanden na levering aan de koper gerepareerd of vervangen moet(en) worden als gevolg van een fabricagefout en/of gebrek in het materiaal, wordt het betreffende onderdeel of de betreffende onderdelen kosteloos gerepareerd of vervangen. De garantie geldt slechts voor fabricagefouten.
2. Om de garantie ten uitvoer te brengen, kunt u contact opnemen met de leverancier van uw mobiliteitshulpmiddel, bijv. de door Sunrise Medical erkende dealer of zorgaanbieder, met de exacte gegevens over het probleem. Indien u de aankoppelbike gebruikt buiten het gebied dat door de klantenservice van Sunrise Medical wordt gedekt, wordt de reparatie of vervanging uitgevoerd door een ander servicepunt dat door de fabrikant wordt aangewezen. De aankoppelbike moet worden gerepareerd door een door Sunrise Medical aangewezen servicepunt (dealer).
3. Voor onderdelen die binnen het bereik van deze garantiebepalingen zijn gerepareerd of vervangen, bieden we een garantie in overeenstemming met deze garantievoorwaarden voor de resterende garantieperiode voor de aankoppelbike in overeenstemming met punt 1.
4. Voor originele reserveonderdelen die op kosten van de klant zijn gemonteerd, geldt een garantieperiode van 12 maanden (na montage) in overeenstemming met deze garantiebepalingen.
5. Vordering op basis van deze garantie kunnen niet worden gedaan indien een reparatie of vervanging van een product of een onderdeel daarvan noodzakelijk is vanwege de onderstaande redenen:
 - a. Voor normale slijtage, zoals accu's, armlenningen, bekleding, banden, remschoenen, etc.
 - b. Bij overbelasting van het product; zie het EC-etiket voor het maximale gebruikersgewicht.
 - c. Het product of onderdeel is niet onderhouden in overeenstemming met de aanbevelingen van de fabrikant, zoals uiteengezet in de gebruikershandleiding en/of de onderhoudsinstructies.
 - d. Er zijn accessoires gebruikt die niet gespecificeerd zijn als originele onderdelen.
 - e. Wanneer het product of onderdeel is beschadigd door verwaarlozing, een ongeluk of oneigenlijk gebruik;
 - f. Er zijn veranderingen/wijzigingen aangebracht aan het product of onderdelen die afwijken van de specificaties van de fabrikant.
 - g. Reparaties zijn uitgevoerd voordat onze Klantenservice is geïnformeerd over de omstandigheden.
6. Deze garantie wordt beheerst door het recht van het land waarin het product van Sunrise Medical werd aangekocht.
* Betekent de Sunrise Medical organisatie waarvan het product werd aangekocht.

Aansprakelijkheid

Als de aankoppelbike:

- Niet juist wordt behandeld
- Het onderhoud niet volgens het aanbevolen onderhoudsschema wordt uitgevoerd
- In bedrijf werd genomen en wordt gebruikt op andere wijze dan in deze handleiding wordt voorgeschreven
- Wanneer reparaties of andere werkzaamheden zijn uitgevoerd door niet-erkende personen, of wanneer onderdelen van derden zijn geïnstalleerd of aangesloten zonder voorafgaande toestemming van Sunrise Medical, is Sunrise Medical niet verantwoordelijk voor de veiligheid van de aankoppelbike.

3.0 Gebruik

Levering:

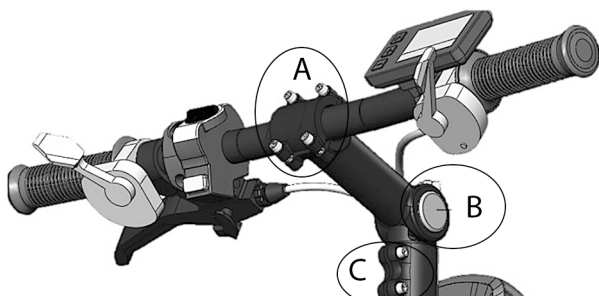
Uw nieuwe aankoppelbike wordt volledig gemonteerd in een kartonnen doos afgeleverd. Om schade tijdens het transport te voorkomen Tijdens het transport zijn losse onderdelen, of delen die nog bevestigd moeten worden, afzonderlijk verpakt in de kartonnen doos.

Uitpakken:

- Controleer de doos bij aankomst op schade aan de buitenzijde die tijdens het transport veroorzaakt kan zijn.
- Verwijder al het verpakkingsmateriaal.
- Haal de aankoppelbike voorzichtig uit de doos en controleer of hij compleet is.
- Controleer alle onderdelen op oppervlakkige schade, zoals krassen, scheuren, butsen, deuken, vervormingen of andere defecten.
- De levering bevat doorgaans: Koppelingsframe met het complete aankoppelsysteem, koplamp, display, de lithium-ion-accu en oplader.

Aanpassen van het stuur:

De StreetJet wordt geleverd met een gedemonteerd stuur, zodat het product aan het individu kan worden aangepast. Draai de twee bouten op de klem (C) van de stuurstang van de StreetJet met een inbussleutel 4 mm aan tot 10Nm. Pas de hoek van het stuur aan naar een positie die voor u het prettigst is, en draai stelbout (B) met een inbussleutel 5 mm aan tot 15Nm. Op de klem waarmee het stuur wordt bevestigd, moeten 4 bouten (A) worden aangedraaid met een 4 mm inbussleutel tot 6Nm elk. Hiermee wordt het stuur vastgezet en is hij klaar voor gebruik.



Bevestigen van de display:

De display is speciaal voor uw aankoppelbike geprogrammeerd en wordt meegeleverd met het apparaat. Bevestig de display als volgt:

- Maak de klem van de display los en plaats deze tussen de gashendel en de stang rond de stuurstang. Draai de schroef van de klem aan om de display vast te zetten.
- Sluit de stekker van de display aan op het vrije contact op de aankoppelbike. De stekker is beschermd tegen polariteitsomkering en kan slechts op één manier worden aangesloten. Let erop dat u tijdens de installatie de pinnen in de stekker niet beschadigt.

OPMERKING: Als u schade of ontbrekende onderdelen ontdekt, laat ons dit dan direct weten.

⚠️ OPGELET!

- De aankoppelbike mag uitsluitend in combinatie met het meegeleverde aankoppelsysteem en de juiste frameklemmen voor uw rolstoel worden gebruikt. De aankoppelbike moet bedrijfsklaar door Sunrise Medical of een erkende Sunrise Medical dealer worden overhandigd.

- Voordat u de power assist voor de eerste maal gebruikt, moet de accu volledig worden opgeladen.

OPMERKING:

- Telkens wanneer de vereiste draaikracht (torque) is gespecificeerd, wordt het sterk aanbevolen om met behulp van een draaikrachtmeter (niet meegeleverd) te controleren of de draaikracht is bereikt. Als er geen andere informatie wordt gegeven, is de draaikracht voor M6 schroeven doorgaans 7 Nm.

⚠️ OPGELET:

- Sommige schroeven die tijdens de fabricage worden gebruikt, zijn voorzien van een schroefdraadborgingsmiddel (blauwe stip op de schroefdraad). Deze kunnen drie keer worden losgedraaid en weer vastgedraaid. Hierna moeten ze worden vervangen door nieuwe schroeven met schroefdraadborging. Als alternatief kunt u Loctite™ 243 schroefdraadborgingsmiddel gebruiken. Breng het borgingsmiddel aan en draai de schroeven weer vast.

Opslag:

De aankoppelbike moet altijd in een omgeving met lage luchtvochtigheid worden gestald, op een gemakkelijk te reinigen vloer en bij kamertemperatuur (+15°C tot + 25°C).

Vervoer:

Het is niet toegestaan om de gebruiker in de rolstoel met de aangekoppelde StreetJet in een auto te vervoeren. Wanneer een combinatie van een rolstoel met aankoppelbike wordt vervoerd, moet de gebruiker in een autostoel zitten en mag niet op de rolstoelcombinatie blijven zitten. De rolstoelcombinatie zelf (zonder gebruiker) moet tijdens transport wordt vastgezet en verankerd zodat hij niet kan verrijden.



Deze sticker op het product geeft aan dat de aankoppelbike niet in overeenstemming met ISO 7176-19 is getest en goedgekeurd. Het is daarom niet toegestaan om de gebruiker in de rolstoel met de aangekoppelde Empulse StreetJet in een auto te vervoeren.

Wanneer een combinatie van een rolstoel met aankoppelbike wordt vervoerd, moet de gebruiker in een autostoel zitten en mag niet op de rolstoelcombinatie blijven zitten. De rolstoelcombinatie zelf (zonder gebruiker) moet tijdens transport wordt vastgezet en verankerd.

⚠️ WAARSCHUWING!

- Gebruik altijd een naar behoren bevestigde autostoel.
- Het product en alle onderdelen moeten tijdens transport worden vastgezet, zodat ze niet kunnen beschadigen (doordat de rolstoelcombinatie omvalt) en geen risico vormen voor andere mensen.

⚠️ OPGELET!

- Controleer bij het inladen of de kabels niet beklemd raken, er geen knik in komt of dat ze op andere wijze beschadigd raken.
- De aankoppelbike mag niet worden gebruikt als de kabels beschadigd zijn.

Veiligheid:

- Om uw aankoppelbike tegen diefstal en ongeoorloofd gebruik te beschermen, dient u een geschikt slot te gebruiken, bijvoorbeeld een fietsslot.
- Voor extra beveiliging van de aankoppelbike kunt u de accu afkoppelen en verwijderen.

4.0 Eerste montage op de rolstoel

4.1. Aanbrengen van de klemmen op de rolstoel

De aankoppelbike mag uitsluitend op rolstoelen worden gemonteerd waarvoor een wederzijdse combinatieverklaring is afgegeven door Sunrise Medical en de fabrikant van de rolstoel.

Bij de levering worden de juiste klemmen voor uw rolstoel meegeleverd. Als u klemmen hebt besteld voor frames met ronde buizen, zijn er twee verschillende sets ronde framebuis-klemmen verkrijgbaar, die nauwkeurig afgesteld kunnen worden tussen 19mm en 24mm / 25mm en 35mm.

Om de klemmen van uw framebuis nauwkeurig af te stemmen op de diameter van de buis, plaatst u het voorste deel van het rolstoelframe in de klemmen.

Gebruik de ontgrendelhendel om de one-touch-klem te openen



Gebruik een 4 mm inbussleutel om de stelknop met schroefdraad van de one-touch-klem aan te passen. Hierdoor wordt de kracht van de one-touch-klem op het frame van uw rolstoel aangepast. Draai de stelknop met schroefdraad tegen de klok in om de klem te openen. Met de klem open, plaatst u de klem op het frame. Sluit de hendel om de klem vast te zetten; draai vervolgens de stelknop met schroefdraad vast om de bekken naar binnen te trekken totdat ze het frame van uw rolstoel raken. Nadat de klem contact heeft gemaakt met het rolstoelframe, laat u de ontgrendelhendel los en draait u de stelknop met schroefdraad $\frac{3}{4}$ draai rechtsom strakker aan. Zet de klem vast met de hendel en controleer of de StreetJet stevig aan uw rolstoel is bevestigd.



De Empulse StreetJet kan niet worden bevestigd op rolstoelen met wegklapbare voetsteunen.

⚠ GEVAAR!

- Als de klemmen op de verwijderbare voetsteunen worden aangebracht, kan dit tot schade aan de rolstoel leiden en tot vallen en verwondingen van de gebruiker.

⚠ OPGELET

- Controleer of de Empulse StreetJet op de juiste wijze aan de rolstoel is bevestigd.
- Controleer regelmatig de draaikracht van de klemmen.

OPMERKING:

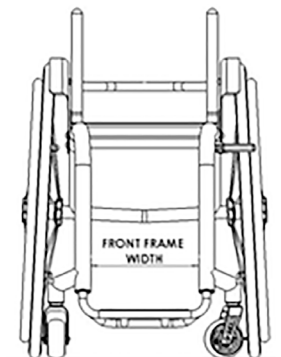
- Wanneer er specifieke instellingen voor de draaikracht worden gegeven, wordt sterk aanbevolen een momentsleutel (niet meegeleverd) te gebruiken om te controleren of de gespecificeerde draaikracht is gehaald. Als er geen andere informatie wordt gegeven, is de draaikracht voor M6 schroeven doorgaans 7 Nm.

⚠ OPGELET:

- Sommige schroeven die tijdens de fabricage worden gebruikt, zijn voorzien van een schroefdraadborgingsmiddel (blauwe stip op de schroefdraad). Deze kunnen drie keer worden losgedraaid en weer vastgedraaid. Hierna moeten ze worden vervangen door nieuwe schroeven met schroefdraadborging. Als alternatief kunt u Loctite™ 243 schroefdraadborgingsmiddel op de schroeven aanbrengen en ze weer vastdraaien.

4.2. Monteren van de aankoppelbike en montagehoek correct aanpassen

Pas het tussenliggende subframe van de StreetJet naar de juiste breedte aan



Er zijn drie verschillende breedtes beschikbaar om de StreetJet aan te sluiten op de voorframe van uw individuele rolstoel. Gemeten van de binnenkant van de ene buis tot de binnenkant van de andere buis.

Gemeten breedte
220-275 mm
275-330 mm
330-425 mm

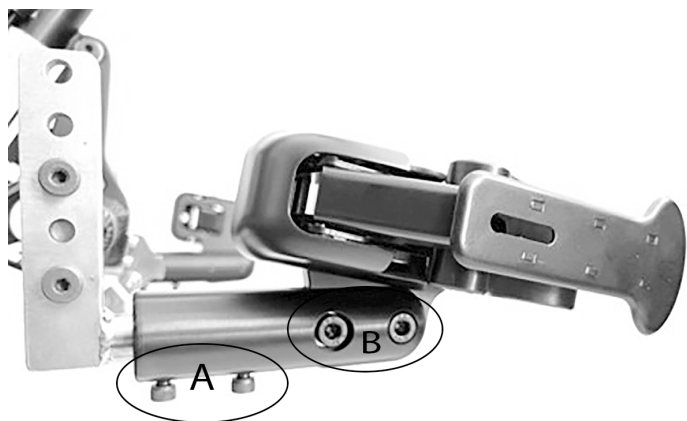
OPMERKING:

- In het frame moet er een recht stuk stang van minstens 45 mm aanwezig zijn om de klemmen te kunnen bevestigen.
- De optimale hoek van de StreetJet tot de grond is 80°. Voor optimale prestaties wordt het aanbevolen om niet lager dan de minimum bevestigingshoogte van 322 mm te gaan (gemeten vanaf de vloer tot de onderste rand van de klem):

Aanpassen van het subframe aan de juiste breedte en hoek van het voorframe

OPMERKING: Zorg ervoor dat de diameter van de framebuis al is aangepast (zie hoofdstuk 4.1)

- Draai schroeven (A) en (B) van de klemmen los.



- Draai de schroeven (C) los van het subframe los.



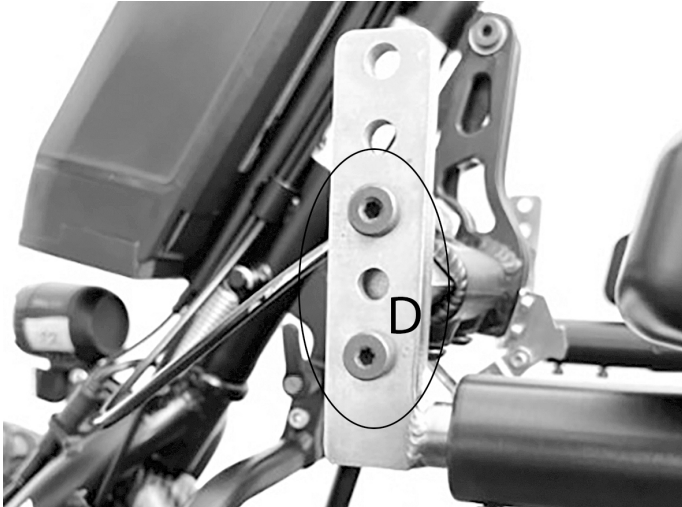
- Plaats de StreetJet voor de rolstoel.



- Sluit de klemmen door op de hendel te duwen.



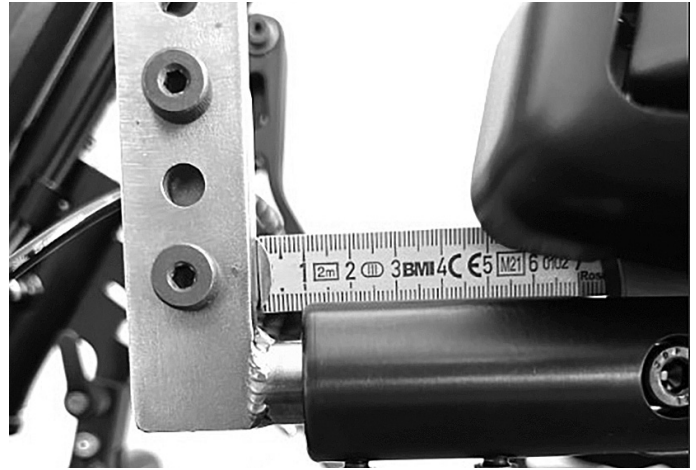
- Controleer of de klemmen op een recht stuk van de buis (min. 45 mm) zijn geplaatst en dat de verschillende onderdelen van de rolstoel en de klemmen elkaar niet hinderen.
- Als er niet voldoende rechte buislengte is, pas dan de hoogte van de klemmen aan door de hoogte van de docking-arm te wijzigen.
 - Draai de schroeven (D) los
 - Verplaats de docking-armen
 - Draai de schroeven D) weer aan tot 16 Nm.



- Draai de schroeven (C) aan tot 16 Nm.

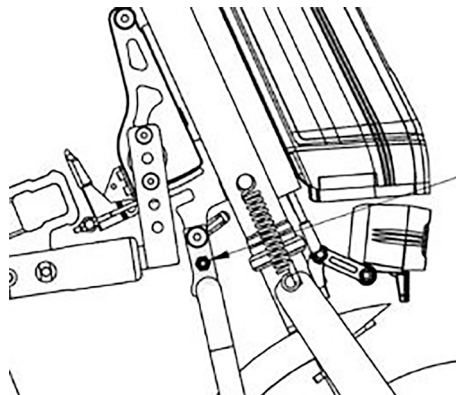


- Controleer of de afstand tussen de bevestigingsplaat en de klem niet meer dan 20 mm bedraagt.

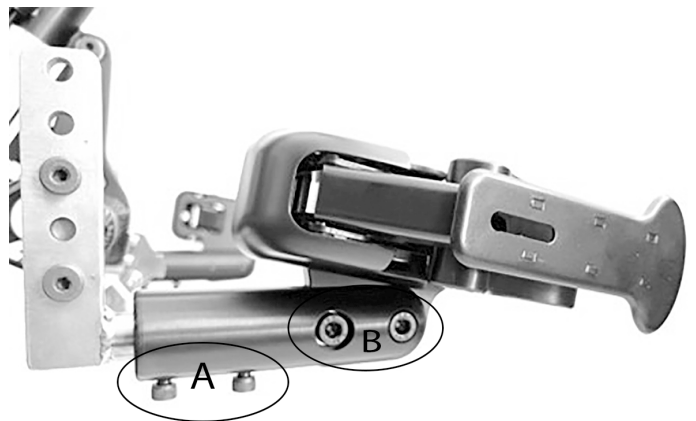


Er mag geen contact zijn tussen het aandrijf wiel/ standaard en de voetenplaat/voeten (zie hoofdstuk 5.0).

- Als er wel contact is tussen het aandrijf wiel en de voetenplaat/voeten, plaats de StreetJet dan zodanig dat het contact tussen het aandrijf wiel en de voetenplaat/voeten wordt opgeheven.
- Als er contact is tussen de standaard en de voetenplaat, moet de positie van de StreetJet worden aangepast. Dit doet u door de M6 bout en moer te verwijderen en de staander te verplaatsen naar het tweede stelgat. Hierna kunnen de bout en moer tot 12Nm worden aangedraaid om de standaard weer vast te zetten.



- Draai schroeven (A) tot 12Nm aan en (B) tot 20Nm.



⚠ GEVAAR!

Draai de schroeven opnieuw aan 30 minuten voordat u de StreetJet gebruikt en vervolgens na 24 uur nog een keer.

⚠ GEVAAR!

Zorg er in ieder geval voor dat de ruimte tussen de voeten van de gebruiker en het aandrijf wiel groot genoeg is, zelfs bij volledige stuuruitslag. Het aandrijf wiel mag tijdens het rijden nooit met de voeten van de gebruiker in contact komen, dit kan letsel veroorzaken.

OPMERKING:

Telkens wanneer de vereiste draaikracht (torque) is gespecificeerd, wordt het sterk aanbevolen om met behulp van een draaikrachtsmeter (niet meegeleverd) te controleren of de draaikracht is bereikt. Als er geen andere informatie wordt gegeven, is de draaikracht voor M6 schroeven doorgaans 7 Nm.

⚠ OPGELET:

Sommige schroeven die tijdens de fabricage worden gebruikt, zijn voorzien van een schroefdraadborgingsmiddel (blauwe stip op de schroefdraad). Deze kunnen drie keer worden losgedraaid en weer vastgedraaid. Hierna moeten ze worden vervangen door nieuwe schroeven met schroefdraadborging. Als alternatief kunt u Loctite™ 243 schroefdraadborgingsmiddel op de schroeven aanbrengen en ze weer vastdraaien.

⚠ OPGELET!

Houd altijd de juiste draaikracht aan.

Aanpassen van de positie van het stuur

De positie (hoek) van het stuur kan van 0° tot 90° worden aangepast.

Om de hoek van de stuurkolom te wijzigen, draait u schroef (A) los. U kunt de stuurkolom nu precies instellen zoals u wilt. Nadat de hoek is aangepast, moet schroef (A) weer tot 20Nm worden aangedraaid.



⚠ GEVAAR!

Controleer of alle kabels op de juiste wijze en veilig zijn aangebracht. Zie erop toe dat kabels niet worden gebogen of uitgerekt. Gebruik eventueel kabelbinders om de kabels vast te maken.

5.0. Aan- en afkoppelen van de aankoppelbike door de gebruiker

⚠ GEVAAR!

Controleer altijd of het apparaat uitgeschakeld is voordat u aan- of afkoppelt.

Controleer voor gebruik of de rolstoel volledig op de aankoppelbike is aangesloten.

Bij bewegende delen is er altijd een risico dat vingers en/of kleding beklemd raken. Wees extra oplettend bij gebruik van de spanhendel en de borgpen.

5.1. Aankoppelen

1. Schakel de aandrijfeenheid uit via de knop op de accu.
2. Rij met het voorframe van de rolstoel in de aankoppelklemmen (fig. 1)
3. Zet de rolstoel op de rem. (Fig. 2)
4. Sluit de klemmen door er vanaf de buitenzijde op te drukken (fig. 3)
5. Trek en houd de ontgrendelingshendel tegen het stuur aan (fig. 4a).
6. Duw het stuur tegelijkertijd voorwaarts/omhoog (fig. 4b)
7. Laat de ontgrendelingshendel los (fig. 4c).
8. Sluit de spanhendel door hem omhoog voorbij het dode punt te trekken. (Fig. 5).
9. Ontkoppel de remmen van de rolstoel pas vlak voordat u wegrijdt (fig. 6).



⚠ GEVAAR!

- Controleer voor u wegrijdt of de aankoppelbike op de juiste wijze is aangekoppeld en of alle vergrendelingen gesloten zijn.
- Als de vergrendelingen niet goed gesloten kunnen worden, of u hebt het gevoel dat ze niet goed zijn gesloten, neem dan contact op met uw dealer om dit te laten controleren. Als de vergrendelingen niet goed zijn gesloten, mag u onder geen beding wegrijden; er is in dat geval kans op letsel en ongevallen.
- De ruimte tussen de zwenkwielen van de rolstoel en de vloer moet minimaal 40 mm zijn, anders is er kans op letsel en ongevallen.
- Het aan- en afkoppelen moet altijd op een vlakke ondergrond plaatsvinden.
- Bij alle bewegende delen is er altijd een risico dat vingers beklemd raken. Let hierop.

OPMERKING:

Neem voordat u wegrijdt de tijd om de onderstaande controlelijst door te nemen.

- De beide uiteinden van de klemmen moeten zich minstens op 20 mm afstand van het aandrijfwiel bevinden.
- De spanhendel is volledig gesloten en er is geen sprake van speling.
- De ruimte tussen de zwenkwielen van de rolstoel en de vloer is minimaal 40 mm.

5.2. Afkoppelen

1. Zet de rolstoel op de rem.
2. Schakel de aankoppelbike uit via de knop op de accu.
3. Maak de spanhendel los.
4. Duw het stuur voorzichtig naar voren/omhoog.
5. Trek en houd de ontgrendelingshendel tegen het stuur aan
6. Laat de aankoppelbike nu langzaam zakken totdat de zwenkwielen van de rolstoel de vloer aanraken.
7. Open de klemmen door ze zijwaarts te trekken.
8. Verplaats de aankoppelbike naar voren

⚠ GEVAAR!

Bij alle bewegende delen is er altijd een risico dat vingers beklemd raken. Let hierop.

Het aan- en afkoppelen moet altijd op een vlakke ondergrond plaatsvinden.

Plaats de aankoppelbike voorzichtig op de vloer, zodat hij niet beschadigd raakt.

6.0 Gebruik

Woord	Betekenis
 GEVAAR!	De gebruiker wordt geattendeerd op de kans op ernstig letsel of overlijden indien het advies niet wordt opgevolgd.
 WAARSCHUWING!	De gebruiker wordt geattendeerd op de kans op letsel indien het advies niet wordt opgevolgd.
 OPGELET!	De gebruiker wordt geattendeerd op de kans op schade aan de apparatuur indien het advies niet wordt opgevolgd.
OPMERKING:	Algemeen advies of beste gebruik

6.1. Remmen

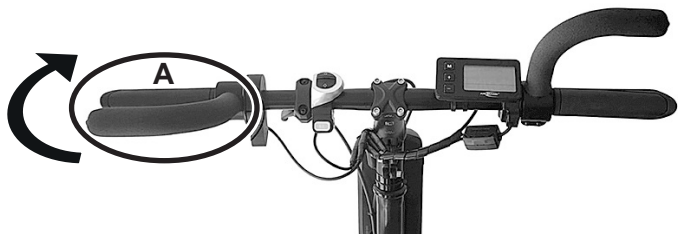
De aankoppelbike heeft twee remmen:

- een mechanische schijfrem die d.m.v. een remhendel op het stuur (A) (links) wordt bediend; een optioneel mechanisch dubbel remsysteem met remhendel aan de rechter- en linkerkant
- een elektrische rem die d.m.v. de bedieningsknop (B) op het stuur wordt bediend. De elektrische rem functioneert alleen wanneer de aankoppelbike ingeschakeld en klaar voor gebruik is.



Bedienen van de quad bediening

Het remsysteem van de quad wordt bediend door hendel (A) naar voren te duwen.



Zorg ervoor dat u, voordat u gaat rijden, bekend bent met de werking, reactie en remkracht van beide remsystemen.

GEVAAR!

- De elektrische rem functioneert alleen wanneer de aankoppelbike ingeschakeld en klaar voor gebruik is.
- De maximale remprestatie wordt alleen met de mechanische schijfrem bereikt.
- Wanneer u plotseling en hard remt, bestaat het risico dat u met uw bovenlichaam naar voren valt, wat mogelijk tot letsel kan leiden. Houd de hendels daarom altijd stevig met beide handen vast, zodat u stabiel blijft zitten.
- De remkracht kan aanzienlijk worden verminderd door één van de onderstaande factoren of een combinatie daarvan:
 - het loopvlak van de band versleten is;
 - Te hoge of te lage bandenspanning
 - Vieze en natte banden
 - Versleten remblokken.
- Let erop dat er geen olie en/of vet op de remblokken en remschijven terecht komt. Als dit gebeurt, moeten de remblokken worden vervangen. De remschijf moet professioneel worden ontvet met een remreiniger.
- De remschijf is niet zelfstellend en moet naarmate de remblokken slijten opnieuw worden afgesteld. Neem hiertoe contact op met uw dealer.
- Wees erop bedacht dat de conditie van de grond de effectiviteit van de remmen aanzienlijk kan beïnvloeden.
- Wees erop bedacht dat de remafstand langer is wanneer u van een helling afrijdt.
- Het remmende effect wordt voor een groot deel verminderd als de bodem nat, vies, zanderig, stenig, ongelijk of anderszins verslechterd is door milieuomstandigheden. Deze omstandigheden kunnen het best worden vermeden. Maar als dit niet mogelijk is, pas dan uw rijstijl hierop aan om mogelijk ernstige ongelukken te vermijden.
- Controleer altijd of de remmen het goed doen voordat u op pad gaat, om u ervan te verzekeren dat ze correct werken. De remmen moeten geregeld door uw dealer worden nagekeken en - indien nodig - afgesteld.
- Als u (omhoog rijdend) op een steile helling stopt, kan het gebeuren dat de rem van de aankoppelbike de combinatie niet kan houden door gebrek aan tractie op het voorwiel.

6.2. In- en uitschakelen

Uw aankoppelbike heeft twee schakelaars:

- Een Aan/Uit-schakelaar op de accubehuizing. Schakel deze altijd als eerste in (Zie 'De accu aan- en uitschakelen').
- Een Aan/Uit-schakelaar op de display: door 2 seconden op de bovenste 'Aan/Uit knop' te drukken, kunt u de aandrijfeenheid aan- of uitschakelen.
- U schakelt de verlichting in door gedurende 2 seconden op de +knop op de display te drukken. Om de verlichting uit te schakelen, drukt u weer 2 seconden op de +knop. Het achtergrondlicht van de display wordt samen met de verlichting uit- en aangeschakeld.

WAARSCHUWING!

- Schakel de aankoppelbike altijd uit voordat u hem aan- of afkoppelt, om onbedoelde beweging te voorkomen.
- Wanneer de aankoppelbike niet wordt gebruikt, schakel hem dan altijd via de schakelaar op de accu uit.

6.3. Het kiezen van de rijrichting



- Met de richtingsschakelaar op het stuur kunt u de rijrichting selecteren. Wanneer de schakelaar voorwaarts in de rijrichting wordt gedruwd, gaat de aankoppelbike naar voren wanneer de gashendel wordt geactiveerd.

- Om van rijrichting te veranderen, moet de rolstoel eerst tot stilstand worden gebracht. Vervolgens moet de richtingsschakelaar in achterwaartse positie worden gezet (rijrichting naar achteren). Nu beweegt de aankoppelbike achterwaarts wanneer de gashendel wordt geactiveerd.

⚠ GEVAAR!

- De rijrichting kan alleen worden gewijzigd wanneer het apparaat stilstaat. Het bedienen van de richtingscontrole heeft slechts effect wanneer de aankoppelbike tot stilstand is gekomen.
- Controleer steeds voordat u vertrekt de positie van de richtingsschakelaar om onbedoelde achterwaartse beweging te vermijden (risico op letsel).
- Let bij het achteruit rijden op uw omgeving om botsingen te voorkomen.
- Merk op dat het sturen bij het achterwaarts rijden anders gaat dan bij het voorwaarts rijden. Abrupte stuurbewegingen kunnen tot een val leiden (gevaar op letsel).

6.4. Bedienen van de snelheid (gashendel)

- Met de gashendel (A) kunt u de snelheid met de duim van uw rechterhand bedienen.
- Door meer druk uit te oefenen, gaat de snelheid omhoog, door minder druk uit te oefenen, gaat de snelheid omlaag.
- Wanneer u de gashendel loslaat, neemt de snelheid af en de aankoppelbike rolt door tot een stilstand.



Bedienen van de quad bediening

De gashendel van de quad wordt bediend door aan hendel (B) te trekken.



⚠ GEVAAR!

- Pas altijd uw snelheid aan uw omgeving aan, om botsingen te voorkomen (risico op letsel).
- Zorg ervoor dat u bekend bent met de wijze waarop uw gecombineerde eenheid zich in bochten gedraagt, voordat u met hogere snelheid rijdt (kans op letsel).
- Controleer altijd of de richtingsbediening is ingesteld op de gewenste rijrichting.
- Schakel de aankoppelbike altijd uit wanneer u af- of aankoppelt, en ook wanneer hij niet wordt gebruikt. Zo voorkomt u dat het apparaat ongewild wordt geactiveerd.

OPMERKING:

- Wanneer er langdurig op maximale snelheid wordt gereden, kan dit ertoe leiden dat de motor extreem warm wordt. Om oververhitting te voorkomen, wordt de stroom beperkt totdat de motor weer een normale bedrijfstemperatuur heeft bereikt.

6.5. Keuze van de rijniveaus

- Via de display kunnen verschillende rijniveaus worden gekozen (1, 2, 3) en hiermee wordt de maximaal haalbare snelheid op het betreffende niveau bepaald.
- De rijniveaus kunnen worden gekozen via de "+" en "-" knoppen op de display. Het gekozen niveau wordt aan de rechterbovenzijde van de display getoond.

OPMERKING:

- De maximale snelheid en maximale motorprestatie worden uitsluitend bij niveau 3 bereikt.

6.6. Cruise control



- Op de behuizing van de stuurschakelaar bevindt zich een gele drukknop (A). Met deze knop kan de huidige snelheid van de aankoppelbike worden vastgezet (cruise control) zonder dat de gashendel vastgehouden hoeft te worden.
- Voer de snelheid op naar het gewenste niveau en druk dan op de gele knop. De aankoppelbike houdt nu deze snelheid vast, ook als u de gashendel los laat.

- Door weer op de gele knop te drukken, of de rem te activeren (zowel de mechanische alsook de elektrische rem), wordt de cruise control direct gedeactiveerd.
- Wanneer de cruise control wordt gebruikt, kunt u niet versnellen door de gashendel te gebruiken. Om te kunnen versnellen moet de cruise control eerst worden gedeactiveerd.

⚠ GEVAAR!

- De cruise control kan uitsluitend de ingestelde snelheid vasthouden voor zover het beschikbare motorvermogen dit toelaat. Als u met een geactiveerde cruise control een helling afrijdt, kan de snelheid lager worden.
- Wanneer u met een geactiveerde cruise control van een helling afrijdt, wordt door middel van de elektrische motorrem getracht dezelfde snelheid aan te houden. Op het punt dat de helling te steil is en de elektrische motorrem niet voldoende kracht heeft om af te remmen, gaat de snelheid omhoog. Mogelijk moet u dan de mechanische rem activeren om de gewenste snelheid te handhaven.

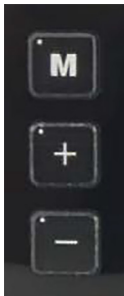
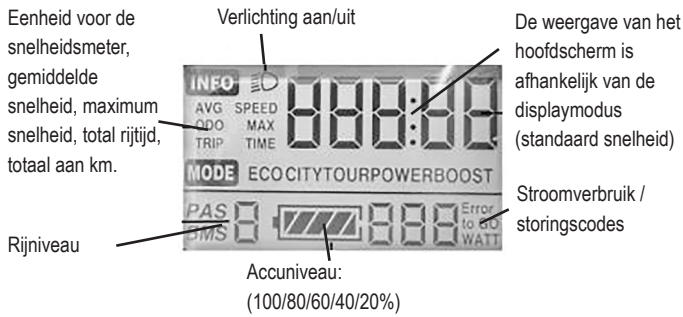
⚠ GEVAAR!

- Zorg ervoor dat u bekend bent met de functie van de cruise control voordat u hem gebruikt. Oefen het activeren en deactiveren op lage snelheden.
- Ook met een geactiveerde cruise control moet u voortdurend opletten en direct kunnen remmen.
- Wees vooral alert op uw snelheid wanneer u met geactiveerde cruise control van een helling afrijdt. Houd, indien nodig, de snelheid handmatig onder controle met behulp van de mechanische rem (kans op letsel).

OPMERKING:

- Als u uw aankoppelbike langere tijd niet gebruikt, adviseren we hem iedere 4 weken aan te zetten en het wiel ongeveer 5 minuten op lage snelheid te laten draaien. Zo wordt het aanwezige vet over alle lagers wordt gesmeerd, zodat deze niet roesten.

6.7. Functies van de display



- M** In- en uitschakelen
- +** Keuze van het rijniveau; verlichting aan/uit
- Keuze van het rijniveau

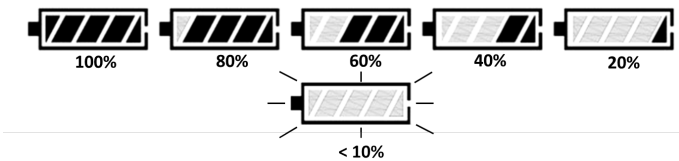
- De aankoppelbike wordt ingeschakeld door 2 seconden op de Aan/Uit knop te drukken, (zie ook 'In- en uitschakelen'). Hierna toont de display de huidige snelheid in het hoofdscherm en het totale aantal kilometers onderin de display. Ook wordt het gekozen rijniveau getoond (na het inschakelen wordt automatisch rijniveau 1 geselecteerd) en het huidige accuvermogen wordt weergegeven.

6.7.1 Verlichting:

De verlichting wordt aan- of uitgeschakeld door 2 seconden op de "+" knop te drukken. Dit wordt door het betreffende symbool op de display weergegeven (linkerbovenhoek).

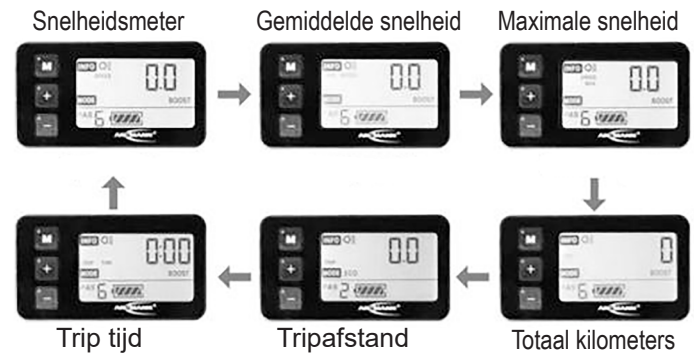
6.7.2 Accuvermogen:

Het wordt in stappen van 20% weergegeven. Zodra de accudisplay begint te knippen, moet de accu direct worden opgeladen.



6.7.3 Displaymodus:

Door op de Aan/Uit knop te drukken, kunt u nu verschillende weergaves van de display kiezen:



1. Displaymodus: "SPEED" - Snelheid
2. Displaymodus: "AVG SPEED" - Gemiddelde snelheid
3. Displaymodus: "SPEED MAX" - Maximale snelheid
4. Displaymodus: "ODO" - kilometer teller, totaal gereden afstand
5. Displaymodus: "TRIP" - Totale afgelegde afstand, sinds laatste wissen van de dagteller (zie hoofdstuk wissen van de dagteller)
6. Displaymodus: "TRIP TIME" - Totale rijtijd sinds laatste wissen van de dagteller (zie hoofdstuk wissen van de dagteller)

⚠ GEVAAR!

- Het instellen mag uitsluitend worden gedaan terwijl de aankoppelbike stil staat en nooit tijdens het rijden.

6.7.4 Storingcodes:

wanneer het systeem een storing ontdekt, wordt dit door middel van een foutcode op de display weergegeven.



De storingcode wordt altijd in de rechterbenedenhoek van de display weergegeven.

Scherm storingcodes	
Storingcode	Beschrijving
30	Communicatiefout

Bediening storingcodes	
Storingcode	Beschrijving
13	Storing oververhitting
14	Voltagestoring
15	Storing uitvoer motor
16	Storing processor
17	Storing anti-rotatiebeveiliging
19	Storing snelheidssensor
21	Stroomoverbelasting /MOSFET-storing
22	Storing bedieningshendel
23	Storing motorfase
24	Storing Hallsensor (elektronische storing)
25	Storing remsignaal

Storingen komen slechts zelden voor. Telkens als het apparaat opnieuw wordt gestart, wordt de foutgeschiedenis gewist. Als de storing zich weer voordoet, adviseren we de storingcode te noteren en contact op te nemen met uw dealer.

6.7.5 Instellingen:

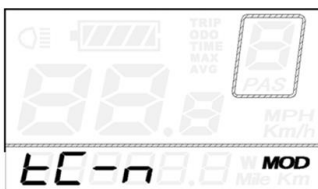
Om basisinstellingen uit te voeren, kan het instellingenmenu worden geopend door tegelijkertijd gedurende 2 seconden op de '+' en '-' knoppen te drukken.

OPMERKING:

- Dit kan uitsluitend worden gedaan terwijl de aankoppelbike stil staat.

1. Wissen van de rijtijd teller:

druk tegelijkertijd op de "+" en "-" knoppen en houdt ze 2 seconden ingedrukt. Het menu gaat open.



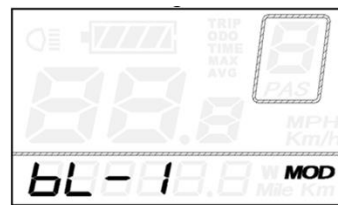
Op de display ziet u "tC-n". Door op de "+" te drukken, kunt u schakelen tussen "tC-n" (dagelijkse km niet op nul zetten) en "tC-y" (dagelijkse km op nul zetten). Selecteer "tC-y" om de kilometerteller op nul te zetten, druk 2

seconden op de Aan/Uit knop om de invoer te bevestigen, en verlaat het menu.

of

Druk kort op de Aan/Uit knop om te bevestigen en schakel naar het volgende punt in het menu.

2. Aanpassen van de helderheid van de achtergrondverlichting van de display: "bL" ("backlight") wordt nu op de display getoond en de achtergrondverlichting wordt ingeschakeld.



Om de helderheid aan te passen, kunt u met behulp van de "+" en "-" knoppen uit drie niveaus kiezen (bL-1/ bL-2/ bL-3). Druk 2 seconden op de Aan/Uit knop om de invoer te bevestigen, en verlaat het menu.

of

Druk kort op de Aan/Uit knop om te bevestigen en schakel naar het volgende punt in het menu.

Aanpassing acceleratie:

Nu wordt "SSP" op de display getoond.

Om de acceleratie aan te passen, kunt u met behulp van de '+' en '-' knoppen uit vier niveaus kiezen: (SSP:1/ SSP:2/ SSP:3/ SSP:4) (1 = grote acceleratie / 4 = lage acceleratie). Druk 2 seconden op de 'M-knop' om de invoer te bevestigen, en verlaat het menu.

- SSP:1 max acceleratie
- SSP:2 hoge acceleratie
- SSP:3 medium acceleratie
- SSP:4 lage acceleratie

Om de instellingen op te slaan en terug te keren in het startscherm, druk gedurende 2 seconden op M.

of

Druk kort op de Aan/Uit knop om te bevestigen en schakel naar het volgende punt in het menu.

6.7.6 Wijzigen van de eenheden:

Nu wordt 'U' ('Unit') op de display weergegeven.

Via de "+" en "-" knoppen kunt u schakelen tussen "U-1" (mijl/mpu) en "U-2" (km/u). Druk 2 seconden op de Aan/Uit knop om de invoer te bevestigen, en verlaat het menu.

7.0 Accu en oplader

7.1 Inleiding

De met het product meegeleverde accu mag uitsluitend worden gebruikt om met de Empulse StreetJet van Sunrise Medical te rijden. Er mogen geen andere componenten op worden aangesloten. Alle ander gebruik vereist de schriftelijke goedkeuring van de fabrikant.

Deze gebruiksaanwijzing beschrijft uitsluitend het gebruik van de hierboven genoemde accu en komt overeen met de technische staat van het moment waarop deze gebruiksaanwijzing werd gedrukt.

De fabrikant behoudt zich het recht voor om wijzigingen aan te brengen op basis van nieuwe mechanische of software-ontwikkelingen of wettelijke vereisten. De fabrikant beschouwt onder meer het volgende gebruik als misbruik van de accu:

- gebruik van de accu in tegenspraak met de instructies en aanbevelingen in deze gebruikershandleiding;
- het overschrijden van de technische limieten die worden vermeld in deze gebruikershandleiding;
- Technische aanpassingen aan de accu.
- wijzigingen in de software van de accu;
- het zonder toestemming aanbrengen van aanbouwdelen of onbedoeld gebruik van de accu.
- De fabrikant is niet aansprakelijk voor schade als gevolg van misbruik van de accu.

Woord	Betekenis
 GEVAAR!	De gebruiker wordt geattendeerd op de kans op ernstig letsel of overlijden indien het advies niet wordt opgevolgd.
 WAARSCHUWING!	De gebruiker wordt geattendeerd op de kans op letsel indien het advies niet wordt opgevolgd.
 OPGELET!	De gebruiker wordt geattendeerd op de kans op schade aan de apparatuur indien het advies niet wordt opgevolgd.
OPMERKING:	Algemeen advies of beste gebruik

7.2 Veiligheidsvoorschriften voor de accu en oplader

WAARSCHUWING!

Lees en houd u aan de veiligheidsvoorschriften en voorzorgsmaatregelen voordat u de accu in gebruik neemt en voordat u het oplaadproces start.

GEVAAR!

- Het niet-naleven van de veiligheidsinstructies en voorzorgsmaatregelen kan leiden tot schade aan het product, of een elektrische schok, brand en/of ernstig letsel.
- De lithium-ion-accu bevat chemicaliën die gevaarlijke reacties kunnen veroorzaken als de in deze handleiding gespecificeerde veiligheidsinstructies worden genegeerd.

OPGELET!

De fabrikant accepteert geen aansprakelijkheid voor schade die het gevolg is van het niet-naleven van deze instructies.

Veiligheidsinstructies en voorzorgsmaatregelen voor het gebruik van de accu:

WAARSCHUWING!

- Voordat u de power assist voor de eerste maal gebruikt, moet de accu volledig worden opgeladen.
- De accu mag uitsluitend worden gebruikt bij temperaturen tussen -15 °C en 45 °C.
- De accu mag niet worden blootgesteld aan hitte (bijv. radiators) of open vuur. Hitte van buitenaf kan ertoe leiden dat de accu ontploft.
- In het (onwaarschijnlijke) geval dat de accu oververhit raakt of in brand vliegt, mag de accu absoluut NIET in contact komen met water of andere vloeistoffen. Zand is het enige geschikte blusmiddel dat wordt aanbevolen door de fabrikant van de accu.
- Laat de accu, indien mogelijk, na ieder gebruik op.
- Voor al het gebruik anders dan het door Sunrise Medical bedoelde gebruik, hebt u schriftelijke toestemming van de fabrikant nodig.
- De accu mag niet worden geopend of uit elkaar worden gehaald. Het ongeoorloofd openen of opzettelijk kapotmaken van de accu brengt het risico op ernstig letsel met zich mee. Bovendien wordt iedere garantieclaim ongeldig door het openen van de accu.
- Verbind de accupolen in de laadcontactdoos nooit met metalen objecten en zorg ervoor dat de polen nooit in contact komen met metalen objecten (bijvoorbeeld vijlsel).
- Als de laadcontactdoos vies is, reinig hem dan met een schone, droge doek.
- Dompel de accu nooit in water.
- De levensduur van de accu hangt onder andere af van de plaats waar hij wordt bewaard. Laat de accu ook nooit gedurende langere tijd op een hete locatie staan. Met name de bagageruimte van een auto die in de zon geparkeerd staat kan gevaarlijk zijn. Gebruik de bagageruimte alleen voor transport en niet als opslagruimte voor de accu.

- De accu mag niet worden blootgesteld aan mechanische invloeden. Mocht dit toch gebeuren, dan moet de accu door de fabrikant worden nagekeken. Neem hierover contact op met uw dealer. U mag niet doorrijden met een beschadigde accu.
- Als de accu beschadigd of defect is, moet hij uit de power assist worden verwijderd en gecontroleerd. Neem contact op met uw gespecialiseerde dealer en overleg met hen wat de volgende stappen zijn betreffende retour en reparatie van de accu. De defecte/beschadigde accu mag niet opnieuw worden gebruikt of geopend.
- Let er altijd op dat de accu droog en schoon wordt bewaard.
- Zet de accu tijdens het opladen op een brand- en hittebestendige ondergrond. Plaats geen licht ontvlambare of brandgevaarlijke objecten dicht in de buurt van de accu.
- Verkeerd gebruik kan leiden tot oververhitting, brand of explosie.

Veiligheidsvoorschriften en voorzorgsmaatregelen voor de opslag van de accu:

WAARSCHUWING!

- Bescherm de accu onmiddellijk nadat u deze heeft losgekoppeld van de acculader of de motor. Laat nooit vocht of vreemde deeltjes (bijvoorbeeld metaalfragmenten, kleine spijkertjes, vijlsel of andere geleidende materialen) in de accu komen.
- Stel de accu niet bloot aan enige vorm van vocht (water, regenwater, sneeuw, enz.).
- Laad de accu op voor u deze opslaat en controleer elke 3 maanden de laadstatus.
- Bewaar de accu op een koele en droge plaats waar de accu niet beschadigd kan raken en veilig is voor onbevoegd gebruik.
- De ideale opslagtemperatuur voor de accu ligt tussen 10°C en 25°C en een luchtvochtigheid tussen 20 en 75 procent. Hiermee wordt de optimale levensduur van de accu bereikt.
- In het hoofdstuk 'Technische specificaties' worden de condities voor opslag van de accu beschreven.
- Vermijd direct zonlicht.
- Wanneer de accu niet wordt gebruikt, laad hem dan minstens iedere 3 maanden op om schade te voorkomen.

Veiligheidsvoorschriften en voorzorgsmaatregelen bij het laadproces:

WAARSCHUWING!

- Laad de accu alleen op in ene goed geventileerde, droge en stofvrije ruimte.
- Laad de accu niet op in de aanwezigheid of de nabijheid van brandbare vloeistoffen of gassen.
- Stel de accu tijdens het laden niet bloot aan enige vorm van vocht (water, regenwater, sneeuw, enz.).
- Laad de accu niet op in ruimten waar vocht de accu kan beschadigen.
- De accu mag alleen worden opgeladen bij temperaturen tussen 0 °C en 40 °C. Als u probeert om het laadproces uit te voeren buiten dit temperatuurbereik zal het accumechanisme het oplaadproces automatisch uitschakelen.
- Gebruik alleen het daarvoor bestemde oplaadapparaat om de accu op te laden. Uw gespecialiseerde dealer kan u de relevante informatie verschaffen.

GEVAAR!

- Gebruikmaken van een ongeschikt oplaadapparaat kan storingen veroorzaken en tot gevolg hebben dat de levensduur van de accu beperkt wordt. Er bestaat ook gevaar voor brand of explosie
- Wanneer de laadcyclus klaar is, haal dan eerst de stekker uit het stopcontact voordat u de accu uit de oplader haalt.
- Zorg voor voldoende ventilatie zo gauw de accu is opgeladen. In principe mag de accu alleen worden opgeladen onder toezicht.
- Beschadigde accu's mogen niet opnieuw worden opgeladen of worden gebruikt.
- Beschadigde accu-oplaadapparaten (schade aan de stekker, behuizing of kabel) mogen niet worden gebruikt.

Veiligheidsvoorschriften en instructies hoe de accu te vervoeren en verzenden:

WAARSCHUWING!

- De accu bevat lithium-ion-cellen. Transport en verzending van de accu zijn daarom onderworpen aan alle toepasselijke wettelijke vereisten, die strikt moeten worden nageleefd. Een kapotte accu mag bijvoorbeeld nooit per vliegtuig worden vervoerd.
- Als uw accu kapot is, breng hem dan persoonlijk naar uw gespecialiseerde dealer; het verzenden van lithium-ion-accu's per post of andere vervoerswijze is onderworpen aan strikte wet- en regelgeving. Nogmaals, we adviseren u contact op te nemen met uw gespecialiseerde dealer.
- Aangezien de regelgeving ten aanzien van transport jaarlijks wijzigt, raden we sterk aan te overleggen met uw reisbureau, vliegtuig- of scheepvaartmaatschappij voordat u op reis gaat, zodat u weet wat de actuele toepasselijke regelgeving is. Een kapotte accu mag niet in een vliegtuig worden meegenomen of in uw bagage worden gestopt.

OPMERKING:

- Als de accu tijdens transport in uw aankoppelbike is gemonteerd, gelden in overeenstemming met UN3481 soepeler transportregels.
- Zorg ervoor dat u de verpakking van de accu bewaart, voor het geval u deze nodig hebt om de accu in te vervoeren.
- Bespreek het transport met uw gespecialiseerde dealer voorafgaand aan verzending.

Veiligheidsvoorschriften en voorzorgsmaatregelen voor de oplader:

⚠️ WAARSCHUWING!

- Lees voordat u begint met opladen eerst de bij de oplader bijgesloten gebruiksaanwijzing en veiligheidsmaatregelen en de onderstaande veiligheidsvoorschriften en informatie over veiligheid.
- Gebruik alleen het daarvoor bestemde oplaadapparaat om de accu op te laden. Uw gespecialiseerde dealer kan u de relevante informatie verschaffen.
- We adviseren eerst de stekker uit het stopcontact te halen, wanneer de laadcyclus klaar is, voordat u de accu uit de oplader haalt.
- Stel de oplader tijdens het opladen niet bloot aan vocht (water, regenwater, sneeuw, etc.).
- Laad de accu niet op in ruimtes waar vocht van invloed kan zijn op de oplader.
- Wees alert op condensatie. Als de oplader vanuit een koude ruimte in een warme ruimte wordt gebracht, kan condensatie ontstaan. Gebruik in dat geval de accuoplader niet tot alle condensatie verdwenen is. Merk op dat dit enkele uren kan duren.
- Draag de oplader nooit aan de stroomkabel of aan de opladerkabel.
- Trek nooit aan de stroomkabel om de oplader uit het stopcontact te halen.
- Stel de kabel en stekker nooit bloot aan druk. Wanneer de kabel te ver wordt uitgerekt, teveel wordt gebogen, of wanneer hij bekneld raakt tussen een muur of een raamkozijn, of wanneer er zware objecten op een kabel of stekker worden geplaatst, kan dit leiden tot een elektrische schok of brand.
- Leg de kabel en de hieraan gekoppelde oplaadkabel zodanig neer dat niemand erop gaat staan of erover kan struikelen en dat de kabels beschermd zijn tegen schadelijke gevolgen of overbelasting.
- Gebruik de oplader niet als de stroomkabel, de oplaadkabel of de stekkers van de kabels beschadigd is of zijn. Beschadigde onderdelen moeten direct worden gerepareerd door de erkende gespecialiseerde dealer.
- Gebruik de oplader niet en haal hem niet uit elkaar wanneer hij een harde klap heeft gehad, gevallen is of op andere wijze is beschadigd.
- De oplader mag niet door kinderen worden gebruikt.
- Probeer de oplader nooit uit elkaar te halen of te veranderen.
- Dek de oplader nooit af tijdens de oplaadcyclus en plaats geen andere voorwerpen op het apparaat.
- Verbind de polen van de oplaadstekker nooit met metalen voorwerpen.
- Controleer of de stekker goed in het stopcontact is gestoken.
- Raak de stekkers nooit met natte handen aan.
- Gebruik de stekker van de oplader en/of de hoofdstekker niet als ze vies of nat zijn. Droog de stekker af met een droge doek voordat u hem in het stopcontact steekt.

7.3. Transport in vliegtuigen

Het vervoer van lithium-ion accu's in vliegtuigen is strikt gereguleerd en dit geldt ook als u een dergelijke accu wilt meenemen. De richtlijnen kunnen afhankelijk van de luchtvaartmaatschappij variëren. Neem in alle gevallen contact op met uw luchtvaart- of transportmaatschappij wanneer u een apparaat met daarin lithium-ion accu's per vliegtuig wilt vervoeren.

⚠️ WAARSCHUWING!

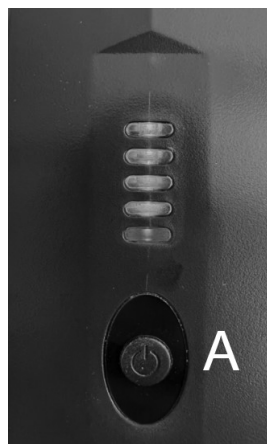
- De accu van de Empulse StreetJet bevat lithium-ion cellen. Voor verscheping of transport moet u voldoen aan de toepasselijke wettelijke regels.
- De richtlijnen voor het verschepen van lithium-ion accu's of transport in een vliegtuig kunnen veranderen. Het is van essentieel belang dat u contact opneemt met de luchtvaartmaatschappij of het reisbureau om informatie op te vragen betreffende de actuele richtlijnen voordat u een reis of transport plant of begint.
- Kapotte accu's mogen nooit per vliegtuig worden vervoerd.
- Neem contact op met uw dealer om meer informatie te krijgen hoe te handelen als uw accu kapot is. In dat geval zijn speciale voorwaarden van kracht voor het transport van gevaarlijke goederen.
- Schakel in alle gevallen de accu uit voor het transport en bescherm de contacten aan de onderzijde van de accu tegen kortsluiten.

7.4. Aan- en uitschakelen van de accu

Op de behuizing van de accu bevindt zich een aan/uitknop (A). Alleen als de accu ingeschakeld is, is er sprake van stroomtoevoer. De aankoppelbike kan alleen worden ingeschakeld als de accu is ingeschakeld.

Om in te schakelen, doet u als volgt:

- Druk kort op de Aan/Uit-knop op de accubehuizing. Het rode ledlampje geeft aan dat de accu is ingeschakeld.
- Om de accu uit te schakelen, druk opnieuw gedurende 2 seconden op de Aan/Uit-knop (A).
- De accu schakelt automatisch na 60 minuten uit.



OPMERKING:

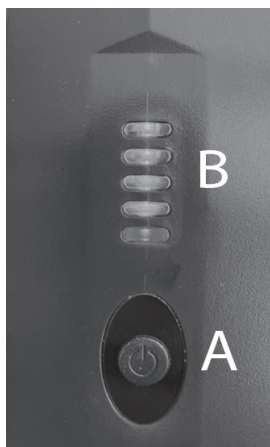
- Schakel de accu altijd uit wanneer de aankoppelbike niet wordt gebruikt. Hiermee zorgt u ervoor dat er geen stroomtoevoer plaatsvindt en dat het risico op zelfontlading van de accu zo klein mogelijk is.

⚠ WAARSCHUWING!

- Schakel de accu altijd uit voordat u de aankoppelbike verwijdert.

7.5. Display voor laadstatus van de accu

De accu heeft een geïntegreerde display voor de laadstatus. Deze bevindt zich aan de voorzijde van de accu. Via deze display kunt u snel en gemakkelijk de laadstatus van de accu controleren.



- Druk kort op de Aan/Uit knop
- 4 groene ledlampjes (B) betekent 100% opgeladen, 3 ledlampjes = 75%, 2 ledlampjes = 50%, 1 ledlampje = 20%
- Na ongeveer 10 seconden schakelt de display weer uit.

7.6. Losmaken van de accu

- Om op te laden, of om diefstal te voorkomen, kan de accu worden verwijderd.
- Om ongeoorloofd verwijderen van de accu te voorkomen, wordt de accu met een slot aan de accubeugel bevestigd.
- De accu kan als volgt worden verwijderd:
 - Schakel de accu uit (zie: 'Aan- en uitschakelen van de accu').
 - Gebruik de sleutel om het slot te openen. Steek hiertoe de sleutel in het slot en draai hem 90° tegen de klok in totdat een stop wordt bereikt. Houd de sleutel in deze positie.
 - De accu kan nu naar rechts worden gekanteld (rechts gezien vanuit de rolstoel). Houd hiertoe de accu aan de bovenkant vast en duw hem opzij.
- Om te bevestigen, zet u de onderkant van de accu op de bodemplaat van de accubeugel, dan duwt u het bovenste deel van de accu rustig tegen de accubeugel aan, en duwt u naar links (links gezien vanuit de rolstoel) totdat de accu vastklikt in de accubeugel.



OPMERKING:

- De aankoppelbike wordt met twee identieke sleutels geleverd. Berg de sleutels altijd afzonderlijk op en noteer het sleutelnummer.

7.7. Opladen van de accu

Laad de accu voor het eerste gebruik volledig op. Bij aflevering is het vermogen van de accu doorgaans 30%. De accu kan tot ieder vermogen worden opgeladen zonder dat dit de levensduur negatief beïnvloedt. De accu bereikt zijn maximale levensduur als hij wordt opgeladen bij temperaturen tussen +10 °C en +25 °C.

- Om op te laden, of om diefstal te voorkomen, kan de accu worden verwijderd, maar de accu kan ook worden opgeladen terwijl hij op de aankoppelbike is bevestigd.
- Om op te laden, sluit u de accu aan op de meegeleverde oplader. Verwijder de rubberstoppen van de oplaadcontactdoos van de accu, steek de laadstekker in de contactdoos en draai de dopmoer aan.
- Steek nu de netstekker van de oplader in een stopcontact.
- Tijdens het opladen is het ledlampje op de oplader rood.
- Als de accu volledig is opgeladen, wordt het ledlampje op de oplader groen.
- De ledlampjes op de laadstatusdisplay van de accu geven ook aan wat de huidige laadstatus van de accu is.

OPMERKING:

- Controleer voordat u de stekker in het contact steekt of beide onderdelen schoon zijn en of er geen metalen deeltjes op of aan zitten. Als u dergelijke deeltjes ziet, gebruik dan een schone, droge doek om deze te verwijderen.
- Tijdens het opladen kan de aankoppelbike niet worden gebruikt.

WAARSCHUWING!

- Laat de accu/het accupack tijdens het opladen niet zonder toezicht.
- Zodra de accu volledig is opgeladen, stopt de oplaadcyclus automatisch. Hierdoor wordt overlading voorkomen.
- Laat de oplader niet langer dan strikt noodzakelijk aangesloten het stroomnetwerk.
- Wanneer de laadcyclus klaar is, haal dan eerst de stekker uit het stopcontact voordat u de accu uit de oplader haalt.
- Controleer altijd de ladingstatus van de accu voordat u het apparaat gebruikt.
- De accu moet voor gebruik altijd volledig opgeladen zijn om ervoor te zorgen dat er altijd gemotoriseerde ondersteuning is.
- De accu mag uitsluitend worden opgeladen in een droge ruimte bij temperaturen tussen 0° - 40° C.
- Als de aankoppelbike langere tijd wordt opgeborgen, bijvoorbeeld gedurende de wintermaanden, adviseren we de accu volledig op te laden voor hij wordt weggezet, en hem regelmatig (ong. iedere 3 maanden) op te laden.

7.8 Garantie op de accu's:

De garantie op de accu's is afhankelijk van de termijn zoals bepaald door de fabrikant. Voor de meeste garantievoorwaarden geldt echter een gebruik- en slijtageclausule. Als uw accu na 24 maanden versleten is, is het niet mogelijk onder de garantiebepalingen een nieuwe accu te verkrijgen.

8.0 Onderhoud en probleem-oplossen

De aandrijfeenheid is uitgerust met een 12" of 16" wiel. Zorg ervoor dat de banden altijd op de aanbevolen spanning zijn, want het rijgedrag wordt in aanzienlijke mate door de bandenspanning beïnvloed. Als de bandenspanning te laag is, wordt het bewegen en manoeuvreren moeilijker door de grotere rolweerstand. Hierdoor moet u ook een grotere inspanning leveren om vooruit te komen.

De optimale bandenspanning (doorgaans 3-4 bar) wordt op de rand van de band aangegeven.

8.1. Monteren en repareren van banden:

Om het wiel/de band te verwijderen:

- Schakel de accu uit en verwijder hem voorzichtig van de aankoppelbike.
- Maak de kabel die het aandrijfwiel aan de aankoppelbike verbindt, bij de aansluiting los. Zorg ervoor dat er geen vuil of vocht in de stekker kan komen en maak de contacten schoon met een droge, schone doek. Gebruik geen smeer- of kruipolie om de contacten te reinigen.
- Verwijder het aandrijfwiel, door aan beide zijdes de schroeven los te maken waarmee het aandrijfwiel is bevestigd, en trek het wiel naar beneden van de vork af.
- Trek vervolgens de banden van de velg door twee plastic bandenlichters te gebruiken

Voordat u een nieuwe binnenband monteert:

Controleer de rand van de velg en de binnenzijde van de band op vreemde voorwerpen en maak de banden grondig schoon als dit nodig is.

Controleer de conditie van de velgband, vooral bij het ventielgat. Alleen goed passend en sterk velgband biedt een langdurige bescherming tegen beschadiging van de binnenband door bramen of scherpe spaakoppen.

Terugplaatsen:

- Plaats de binnenband in de band en plaats de band om de velg.
- Plaats daarbij het ventiel in de daarvoor bestemde uitsparing in de velg.
- Daarbij moet het ventiel naar buiten wijzen.
- Pomp langzaam op tot een druk van 3-4 bar
- Plaats het aandrijfwiel in de vork.
- Draai de moeren van het wiel aan met 40NM.
- Sluit de stekker van de motorkabel aan op de aandrijfeenheid. Zorg ervoor dat er geen vuil of vocht in de stekker zit en maak de contacten schoon met een droge, schone doek. Gebruik geen smeer- of kruipolie om de contacten te reinigen.
- Steek hem er voorzichtig in en schakel de accu in.

GEVAAR!

Controleer of u de juiste draaikracht hebt gebruikt voor de wielschroeven op de linker- en rechterzijde van de vork (40 Nm). Controleer na het plaatsen van het wiel weer de bandenspanning.

8.2 Algemeen onderhoud

De aankoppelbike staat aan hoge spanningsniveaus bloot tijdens gebruik. Daarom zijn regelmatige controles voor uw veiligheid van groot belang.

GEVAAR!

Voer regelmatig, maar minstens iedere vier weken, visuele inspecties/onderhoud uit zoals hieronder beschreven, en idealiter doet u dit steeds voordat u wegrijdt met uw aankoppelbike.

- Controleer of alle schroeven en verbindingstukken goed vast zitten.
- Functionele en veiligheidscontrole van alle verlichting (indien gemonteerd).
- Functionele en veiligheidscontrole van het aankoppelsysteem (aankoppelbike en rolstoel) om te controleren of ze veilig zijn en controleren op slijtage.
- Controleer de remblokken op slijtage en controleer of de remmen goed werken. De schijfrem moet regelmatig opnieuw worden afgesteld/onderhouden door een dealer.
- Controleer de functionaliteit van de schijfrem (en laat de dealer eventueel kabels en remblokken vervangen als dit nodig is).
- Visuele inspectie van de vork en het tussenliggende subframe op schade (zoals scheuren, vervorming, beschadigingen etc.).
- Visuele inspectie van het rolstoelframe en achterste stangen op schade (zoals scheuren, vervorming, beschadigingen, etc.).
- Controleer banden (profiel, scheuren, beschadigingen) en vervang deze indien nodig.
- Controleer de spaakspanning en de velg en naaf van alle wielen (ook van de rolstoel) op schade.
- Controleer alle kabels en elektrische aansluitingen.
- Controleer of het balhoofd en de stuurstang veilig zijn.

8.3 Elektronische systeem

Als er een storingscode wordt aangegeven, of het elektrische systeem van de aankoppelbike functioneert niet zoals bedoeld:

- Neem contact op met uw dealer.
- Schakel de aankoppelbike in en duw hem met de hand 1 meter vooruit - controleer of hij weer functioneert.
- Schakel de accu uit en verwijder hem voorzichtig van de aankoppelbike.
- Controleer alle gemakkelijk toegankelijke stekkerconnecties op vuil en vocht. Reinig de contacten eventueel met een droge, schone doek. Gebruik eventueel contactspray, maar gebruik NOOIT smeer- of kruipolie om de contacten te reinigen.

9.0 Technische specificaties

Algemene gegevens	
Voltage wanneer in gebruik	36 Volt
Actieradius	tot 50 km* (met 14 Ah accu) / tot 26 km* (met 8 Ah accu)
Opties max. snelheid	6 km/u; optioneel 10/15/20 km/u (snelheid kan in 3 stappen worden geregeld)
Klimvermogen (nominaal)	tot 11% (6°)
Dynamische stabiliteit (nominale helling)	6° / 10,5%
Ontvlambaarheidsnormen	getest in overeenstemming met EN 12184
Max. belasting	120 kg
Totaal gewicht	Vanaf 15,5 kg (met 14 Ah accu) / Vanaf 15 kg (met 8 Ah accu)
Opslagtemperatuur van de eenheid	Getest volgens ISO 7176-9; deze norm laat een bedrijfstemperatuur van -25 tot +50 °C en een opslagtemperatuur van -40 tot +65 °C toe.

	12"	16"
Totale lengte (max.)	638 mm	667 mm
Totale breedte (max.)	580 mm	580 mm
Totale hoogte (max.)	803 mm	850 mm

Motorgegevens:		
Wielmaat	12"	16"
Nominale spanning	36 Volt	36 Volt
Vermogen	250 W (Nominaal) 630 W (Max)	250 W (Nominaal) 750 W (Max)
Maximale torsiëkracht	40 Nm	60 Nm
Beschermingsklasse	IP44	IP44
Motorgeluid	max. 65 +/-5 dB op 1 m afstand	max. 65 +/-5 dB op 1 m afstand
Garantie	2 jaar	2 jaar

Accugegevens	
Accu type	Lithium-ion
Nominale spanning	36 Volt
Capaciteit	14 Ah / 8 Ah
Elektronische voeding	504 Wh / 288 Wh
Ontlaadstroom	15 A (continu) 18 A (minder dan 10 minuten) 35 A (minder dan 5 seconden)
Oplaadtijd	7 - 8 uur (bij ong. 2,0 A laadstroom voor 14 Ah accu) / 3,5 - 4 uur (bij ong. 4,0 A laadstroom voor 14 Ah accu).
Temperatuur tijdens opladen	0 - 40°C
Bedieningstemperatuur	-15° tot 45°
Temperatuur bij opslag	-15°C tot 45°C (tot 1 maand) / -15° tot 35°C (tot 6 maanden)
Maximum aantal laadcycli	1000
Beschermingsklasse	IP65
Garantie	2 jaar
Weergeven	Laadstatus
Functies	Aan/Uit-schakelaar
Gewicht van de accu-set:	2,6 kg (14 Ah) / 2,1 kg (8 Ah)

Acculader	
Input	100-240V AC
Accuspanning na laden	42 Volt
Oplaadstroom	2,0 A / 4,0 A
Beschermingsklasse	IPx4

Bediening	
Nominale spanning	36 Volt
Max. stroom	15 A
Beschermingsklasse	IP54

Weergeven	
Weergeven	Laadstatus van accu Rijniveau Totaal afgelegde- / dag afstand Reistijd Huidige snelheid in km/u Gemiddelde snelheid Maximale snelheid Huidige motorvermogen in Watt Storingcodes

Duimhendel	
Beschermingsklasse	IPX4

Remhendel	
Beschermingsklasse	IPX4

Bedieningseenheid voorwaarts/achterwaarts, cruise control	
Beschermingsklasse	IPX4

Mechanische rem	
Beschermingsklasse	IPX4

* Het bereik is afhankelijk van het terrein en de rij-omstandigheden. Het opgegeven maximale bereik geldt voor optimale rijomstandigheden (vlak terrein, pas opgeladen accu, omgevingstemperatuur van 20 °C, gelijkmatig rijden, etc.). Bij lagere temperaturen kan het bereik van de aandrijfeenheid lager zijn dan het gespecificeerde bereik.

10.0 Opslag

Accu:

- Bescherm de accu onmiddellijk nadat u deze heeft losgekoppeld van de acculader of de motor. Laat nooit vocht of vreemde deeltjes (bijvoorbeeld metaalfragmenten, kleine spijkertjes, vijlsel of andere geleidende materialen) in de accu komen.
- Vermijd opslag in vochtige ruimtes om corrosie op de stekkerpunten te voorkomen.
- Stel de accu niet bloot aan enige vorm van vocht (water, regenwater, sneeuw, enz.).
- Laad de accu op voor u deze opslaat en controleer elke 3 maanden de laadstatus.
- Bewaar de accu op een koele en droge plaats waar de accu niet beschadigd kan raken en veilig is voor onbevoegd gebruik.
- De ideale opslagtemperatuur voor de accu ligt tussen 10°C en 25°C en een luchtvochtigheid tussen 20 en 75 procent. Hiermee wordt de optimale levensduur van de accu bereikt.
- Bewaar uw accu niet in ruimtes waar de temperatuur hoger dan 45°C of lager dan -15°C is.
- Vermijd direct zonlicht.
- Wanneer de accu niet wordt gebruikt, laad hem dan minstens iedere 3 maanden op om schade te voorkomen.

Aankoppelbike:

- Berg de aankoppelbike op in een droge plaats, beschermd tegen regen en sneeuw.
- Dek de aankoppelbike bij langdurige opslag af ter bescherming tegen stof.
- Berg de aankoppelbike niet op bij temperaturen boven 45°C of onder -15°C.
- Als u uw aankoppelbike langere tijd niet gebruikt, adviseren we hem iedere 4 weken aan te zetten en het wiel ongeveer 5 minuten op lage snelheid te laten draaien. Zo wordt het aanwezige vet over alle lagers wordt gesmeerd, zodat deze niet roesten.
- Controleer na een langdurige opslagperiode of de remmen werken en check de conditie van de banden, voordat u op weg gaat.

11.0 Reiniging en hygiëne

Reiniging:

- De aankoppelbike moet regelmatig worden schoongemaakt en in ieder geval na iedere grotere tocht. U kunt hiervoor een gewoon schoonmaakmiddel voor huishoudelijk gebruik gebruiken met wat water.
- De display, accu en overige elektrische onderdelen mogen uitsluitend worden gereinigd door ze met een vochtige (niet natte) doek af te nemen.
- Het aandrijf wiel kan worden schoongemaakt met een zachte spons of zachte borstel.
- De klemmen op de rolstoel en het aankoppelsysteem kunnen worden schoongemaakt met water, met een zachte spons of zachte borstel (het wordt aanbevolen dit na iedere tocht te doen).
- Gebruik na het reinigen kruipolie (bijv. Ballistol WD40, Caramba of iets vergelijkbaars) om de bewegende delen van het aankoppelsysteem te smeren.

OPGELET!

- Gebruik nooit een stoomreiniger of hogedrukreiniger om de aankoppelbike te reinigen.
- Gebruik nooit schuurmiddelen of agressieve zure, bijtende schoonmaakmiddelen.
- Zorg ervoor dat er geen water op de elektrische verbindingen komt.

Hygiënemaatregelen bij hergebruik:

Voordat de rolstoel door een nieuwe gebruiker in gebruik genomen wordt, moet de stoel zorgvuldig worden voorbereid. Alle oppervlaktes waarmee de gebruiker in aanraking komt, moeten behandeld worden met een desinfecterende spray. Hiertoe moet u een desinfectiemiddel gebruiken dat in uw land is toegestaan/wordt geadviseerd voor snelle, op alcohol gebaseerde ontsmetting van medische producten en medische hulpmiddelen die snel gedesinfecteerd moeten worden.

Wees u bewust van en volg de instructies van de fabrikant van het desinfecterende middel dat u gebruikt. Over het algemeen kan op de naden van de rolstoel geen volledige ontsmetting worden gegarandeerd. We adviseren zitting- en rugbanden (slings) te verwijderen volgens de voor u geldende wetgeving inzake infectiebescherming om microbacteriële bestemming met actieve agentia te voorkomen.

12.0 Afvalverwerking en recycling

OPMERKING: Als de aankoppelbike aan u beschikbaar is gesteld als onderdeel van een uitleenprogramma voor medische hulpmiddelen, is het apparaat mogelijk niet uw eigendom. Wanneer u het medische hulpmiddel niet langer nodig hebt, volg dan de instructies betreffende de teruggave zoals u deze hebt ontvangen van de organisatie die het product aan u beschikbaar heeft gesteld.

Voor elektrische en elektronische apparatuur geldt dat het niet bij het gewone huishoudelijke afval weggegooid mag worden, maar gescheiden bij recyclestations aangeleverd moet worden. De juiste afvalverwerking en gescheiden inzameling van gebruikte apparaten dient ertoe mogelijke schade aan de gezondheid en het milieu te voorkomen. Het is een vereiste voor het hergebruik en recycling van gebruikte elektrische en elektronische apparatuur.

Meer informatie over de afvalverwerking van uw gebruikte apparatuur kunt u krijgen bij uw lokale overheden, via de afvalverwerkingsdienst, de gespecialiseerde dealer waar u het product hebt gekocht, of de contactpersoon van de verkoop.

Deze informatie is uitsluitend van toepassing op apparatuur die is verkocht en geïnstalleerd in landen van de Europese Unie en welke onderworpen is aan de Europese Richtlijn 2002/96/EG. In landen buiten de Europese Unie gelden afwijkende regels wat betreft de afvalverwerking van elektrische apparatuur en elektronica.

Gebruikt materiaal:

Met het oog op de afvalverwerking of hergebruik van de in de aankoppelbike verwerkte materialen en het verpakkingsmateriaal, bevat het volgende hoofdstuk een omschrijving van het materiaal dat voor deze aankoppelbike is gebruikt. Er kan ook speciale lokale regelgeving van toepassing zijn met betrekking tot afvalverwerking of recycling. Hier dient u rekening mee te houden wanneer u uw aankoppelbike voor afvalverwerking aanbiedt. (Het kan bijvoorbeeld zijn dat de aankoppelbike voor afvalverwerking moet worden gereinigd of ontsmet.)

Aluminium:	Wielen, frameonderdelen, remhendel, stuurstang, aankoppelklemmen, vork en subframe
Staal:	Stuurbuis, frame en subframe
Plastic:	Handvatten, stekkers, behuizingsonderdelen, banden en hulzen klemmen
Verpakking:	Gemaakt van zacht polyethyleen, karton
Accu:	Lithium-ion accu (gevaarlijk product)
Carbon:	Spatborden

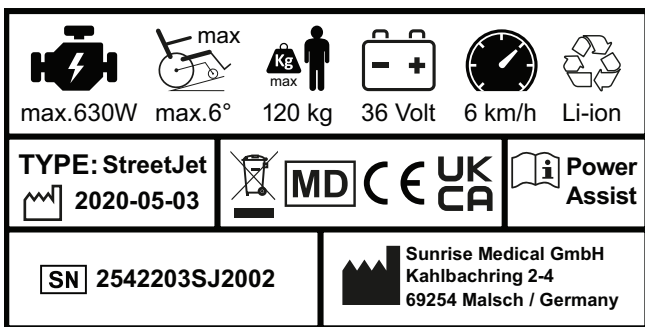
Zie ook het hoofdstuk 'Accu' voor uitgebreide informatie.



13.0 Sticker

De naamplaat staat op het frame en is vermeld op een sticker in de gebruikershandleiding. Op de sticker met het serienummer staat ook de precieze naam van het model en andere technische gegevens. Wanneer u vervangingsonderdelen bestelt of een schadeclaim indient, moet u de volgende gegevens vermelden:

VOORBEELD



ISO 7010-M002
Gebruikershandleiding/brochure moet worden gelezen! (Blauw icoon)

Soort:	Naam product, SKU nummer
max X°	Maximale veilige helling hangt af van instellingen van de rolstoel/de aankoppelbike, lichaamspostuur en fysieke capaciteiten van de gebruiker.
XXX kg	Maximale belasting.
	VKCA-markering
	CE-keurmerk
	Gebruikershandleiding
X km/h	Max. snelheid
XX Volt	Elektrische spanning / V=Volt.
XXX Watt	Motorprestatie
Li-ion	De cellen bevatten lithium.
	Mag niet als huishoudelijk afval worden verwijderd
	Serienummer
	Dit symbool betekent: Medisch hulpmiddel.
	Adres fabrikant.
XXXX-XX-XX	Productiedatum
	Adres van de importeur
	Verantwoordelijke persoon VK
	Het adres van de vertegenwoordiger in Zwitserland
	Symbool voor rolstoel niet bedoeld om als stoel in een motorvoertuig te worden gebruikt.

Wij streven naar voortdurende verbetering van onze rolstoelen en aandrijfsystemen. Hierdoor kunnen productspecificaties enigszins afwijken van de getoonde voorbeelden. Alle gewichten, afmetingen en gegevens betreffende prestaties zijn bij benadering en dienen slechts als richtlijn.

Alle aandrijfsystemen moeten in overeenstemming met de aanwijzingen van de fabrikant worden gebruikt.

Sunrise Medical GmbH
Kahlbachring 2-4
69254 Malsch/Heidelberg
Deutschland
Tel.: +49 (0) 7253/980-0
Fax: +49 (0) 7253/980-222
kundenservice@sunrisemedical.de
www.SunriseMedical.de

Sunrise Medical S.r.l.
Via Riva, 20 – Montale
29122 Piacenza
Italia
Tel.: +39 0523 573111
Fax: +39 0523 570060
www.SunriseMedical.it

Sunrise Medical AG
Erlenauweg 17
CH-3110 Münsingen
Schweiz/Suisse/Svizzera
Fon +41 (0)31 958 3838
Fax +41 (0)31 958 3848
www.SunriseMedical.ch

Sunrise Medical AS
Delitoppen 3
1540 Vestby
Norge
Telefon: +47 66 96 38 00
post@sunrisemedical.no
www.SunriseMedical.no

Sunrise Medical AB
Neongatan 5
431 53 Mölndal
Sweden
Tel.: +46 (0)31 748 37 00
post@sunrisemedical.se
www.SunriseMedical.se

MEDICCO s.r.o.
H – Park, Heršpická 1013/11d,
639 00 Brno
Czech Republic
Tel.: (+420) 547 250 955
Fax: (+420) 547 250 956
www.medicco.cz
info@medicco.cz
Bezplatná linka 800 900 809

Sunrise Medical Aps
Mærkærvej 5-9
2630 Taastrup
Denmark
+45 70 22 43 49
info@sunrisemedical.dk
Sunrisemedical.dk

Sunrise Medical Australia
11 Daniel Street
Wetherill Park NSW 2164
Australia
Ph: +61 2 9678 6600
E: enquiries@sunrisemedical.com.au
www.SunriseMedical.com.au

Sunrise Medical
North American Headquarters
2842 Business Park Avenue
Fresno, CA, 93727, USA
(800) 333-4000
(800) 300-7502
www.SunriseMedical.com



Sunrise Medical GmbH
Kahlbachring 2-4
69254 Malsch/Heidelberg
Deutschland
Tel.: +49 (0) 7253/980-0
Fax: +49 (0) 7253/980-222
www.SunriseMedical.de

Sunrise Medical
Thorns Road
Brierley Hill
West Midlands
DY5 2LD
England
Phone: 0845 605 66 88
Fax: 0845 605 66 89
www.SunriseMedical.co.uk

Sunrise Medical S.L.
Polígono Bakiola, 41
48498 Arrankudiaga – Vizcaya
España
Tel.: +34 (0) 902142434
Fax: +34 (0) 946481575
www.SunriseMedical.es

Sunrise Medical Poland
Sp. z o.o.
ul. Elektronowa 6,
94-103 Łódź
Polska
Telefon: + 48 42 275 83 38
Fax: + 48 42 209 35 23
E-mail: pl@sunrisemedical.de
www.Sunrise-Medical.pl

Sunrise Medical HCM B.V.
Vossenbeemd 104
5705 CL Helmond
The Netherlands
T: +31 (0)492 593 888
E: customerservice@sunrisemedical.nl
www.SunriseMedical.nl
www.SunriseMedical.eu
(International)

Sunrise Medical SAS
ZAC de la Vrillonnerie
17 Rue Michaël Faraday
37170 Chambray-Lès-Tours
Tel : +33 (0) 2 47 55 44 00
Email: info@sunrisemedical.fr
www.sunrisemedical.fr

