



Serving the Food Industry Since 1951

Bain Marie Food Warmers

Items:	48803	48804	48805
Models:	FW-CN-0123	FW-CN-0124	FW-CN-0125

48803



Omcán electric bain-marie countertop food warmer is ideal for use in cafeterias, hotels, and banquet halls.

Our bain-maries are constructed with high quality stainless steel. They provide high-efficiency performance and are equipped with a thermostat. They all include glass sneeze guard, clear lids, and half-size pans. These products are ideal for restaurants, hotels, banquet halls, and cafeterias.

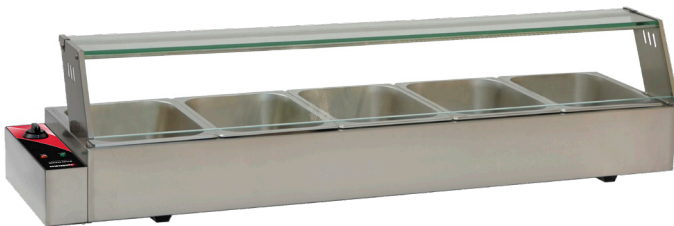
48804



KEY FEATURES

- ✓ Compact and portable for easy transport
- ✓ Includes 4-inch deep half-size stainless steel pans
- ✓ Adjustable thermostatic control with temperature range between: 29.4 and 79.4°C (85 and 175°F)
- ✓ Equipped with a glass sneeze guard to protect food from contaminants

48805



Telephone: 1-800-465-0234

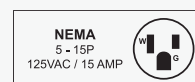
Fax: (905) 607-0234

Email: sales@omcan.com

Website: www.omcan.com



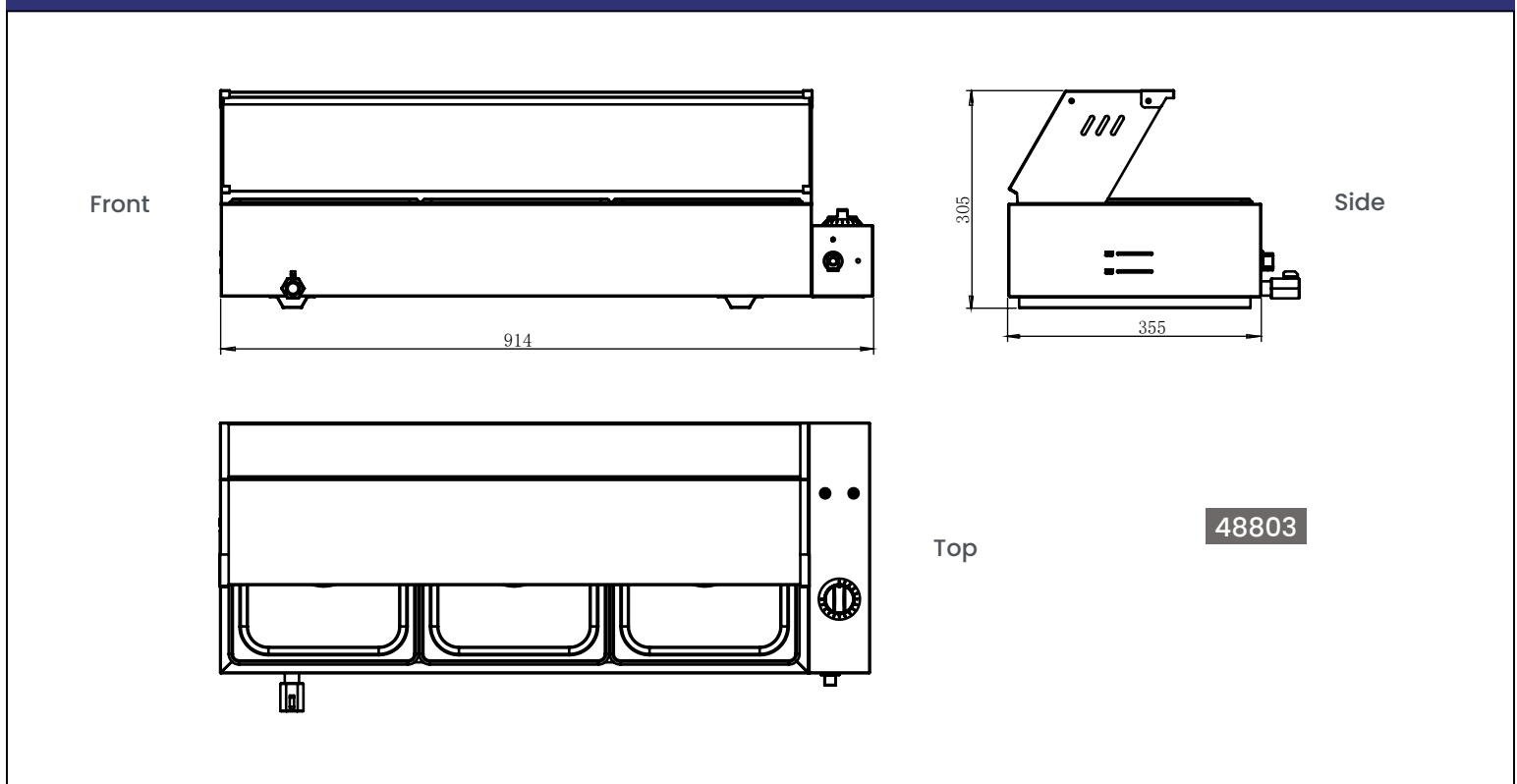
Authorized Dealer



TECHNICAL SPECIFICATION

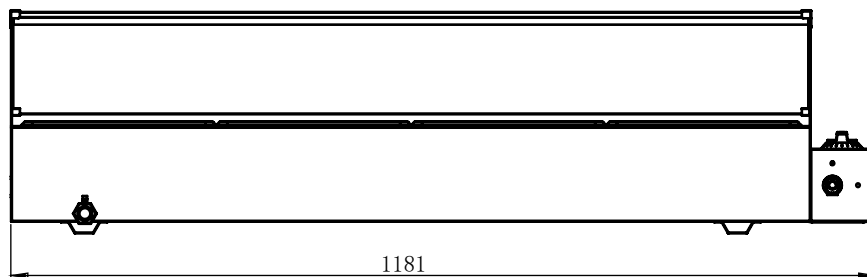
Features	36" Width, 3 Half-size Pans	46.5" Width, 4 Half-size Pans	57" Width, 5 Half-size Pans
Item	48803	48804	48805
Model	FW-CN-0123	FW-CN-0124	FW-CN-0125
Power	1500W		
Pan Capacity	3 Half-size Pans	4 Half-size Pans	5 Half-size Pans
Temperature Range	29.4 -79.4°C (85-175°F)		
Electrical	120V/60Hz/1Ph		
Net Dimensions (WDH)	36" x 14" x 12" (914.4 x 355.6 x 304.8 mm)	46.5" x 14" x 12" (1181.1 x 355.6 x 304.8 mm)	57" x 14" x 12" (1447.8 x 355.6 x 304.8 mm)
Gross Dimensions (WDH)	38" x 18" x 8" (965.2 x 457.2 x 203.2 mm)	52" x 18" x 8" (1320.8 x 457.2 x 203.2 mm)	59" x 18" x 8" (1498.6 x 457.2 x 203.2 mm)
Net Weight	35 lb. (15.8 kg)	48 lb. (21.7 kg)	57 lb. (25.8 kg)
Gross Weight	39 lb. (17.7 kg)	55 lb. (25 kg)	64 lb. (29 kg)

TECHNICAL DRAWING

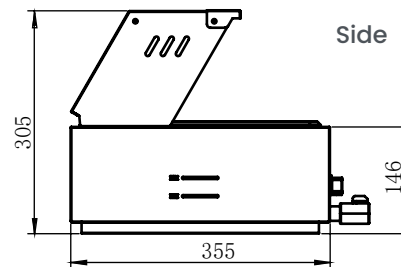


TECHNICAL DRAWING

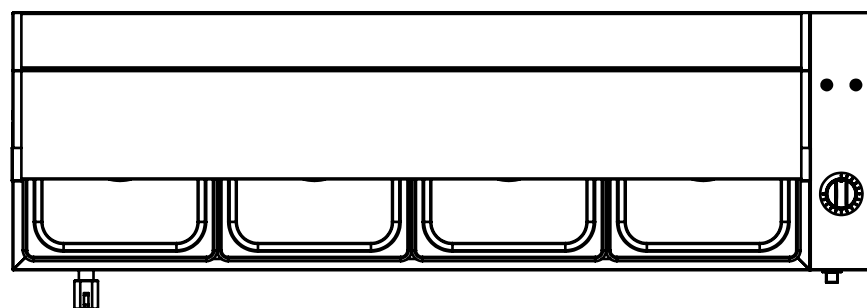
Front



Side

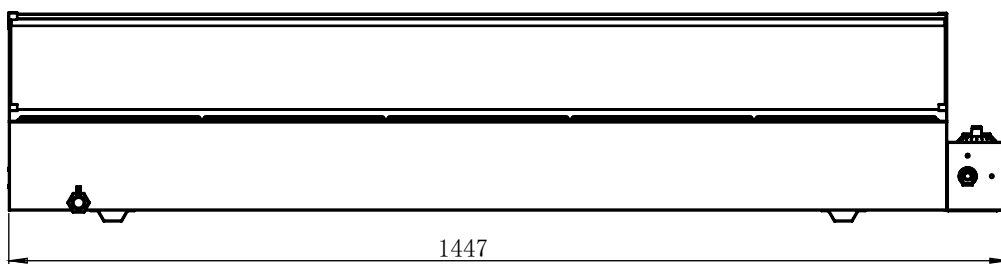


Top

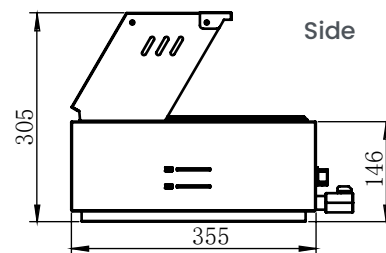


48804

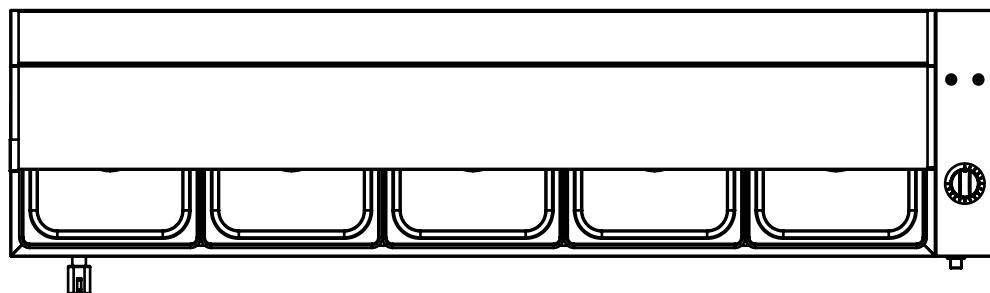
Front



Side



Top



48805