

# IT0900N Ice Cube Machine

Model:  IDT-0900N  IYT-0900N



Indigo NXT Series IT0900N  
Ice Machine on a D570 Bin  
\*Ice machine and bin sold separately

Designed for operators who know that ice is critical to their business, the Manitowoc Indigo NXT Series Ice Machine provides reliable and consistent performance. Built-in preventative diagnostics and programmable operation help minimize downtime and optimize total cost of ownership.

### Sanitation

- **Easy Interior Cleaning** - hinged front door swings wide open, providing easy access to food zone. Removable water trough, distribution tube, curtain, water probe and water pump allow complete, efficient cleaning. Select components made with AlphaSan® antimicrobial
- **Low-Maintenance, Durable Exterior** - DuraTech® provides superior, corrosion resistance above stainless steel. Innovative clear coat resists fingerprints and dirt, helping keep the machine cleaner longer
- **Added Protection** - Available LuminIce® Growth Inhibitor helps control the growth of bacteria and yeast within the food zone. Indicator on the display provides operational status

### Sustainability & Value

- **Ease of Operation** - easyTouch® Display takes the guesswork out of owning and operating an ice machine with icon-based touch screen
- **Consistent Output** - Acoustical Ice Sensing Probe and Active Sense ensure consistent harvest, even in challenging water conditions and environments
- **Intelligent Diagnostics** - worry-free operation with 24-hour preventative maintenance and diagnostic feedback
- **Cost Savings** - reduce energy costs with programmable Ice production by scheduling during lower rate hours and controlling daily ice volume
- **Overall Lifetime Value** - lower cost of ownership over the life of machine with decreased energy consumption as compared to legacy R404A models

## Ice Machine Electric

208-230/60/1  
(208-230/60/3 and 230/50/1 also available)

## Ice Shape



### Half Dice

$\frac{3}{8}$ " x  $1\frac{1}{8}$ " x  $\frac{7}{8}$ "  
(0.95 x 2.86 x 2.22 cm)



### Dice

$\frac{7}{8}$ " x  $\frac{7}{8}$ " x  $\frac{7}{8}$ "  
(2.22 x 2.22 x 2.22 cm)

## Specifications

### BTU Per Hour:

12,700 (average)  
14,800 (peak)

### Refrigerant:

R-410A CFC-Free

### Operating Limits:

Ambient Temperature Range:  
40° to 110° F (4.4° to 43.3° C)

Remote Condenser:  
-20° to 120° F (-29° to 49° C)

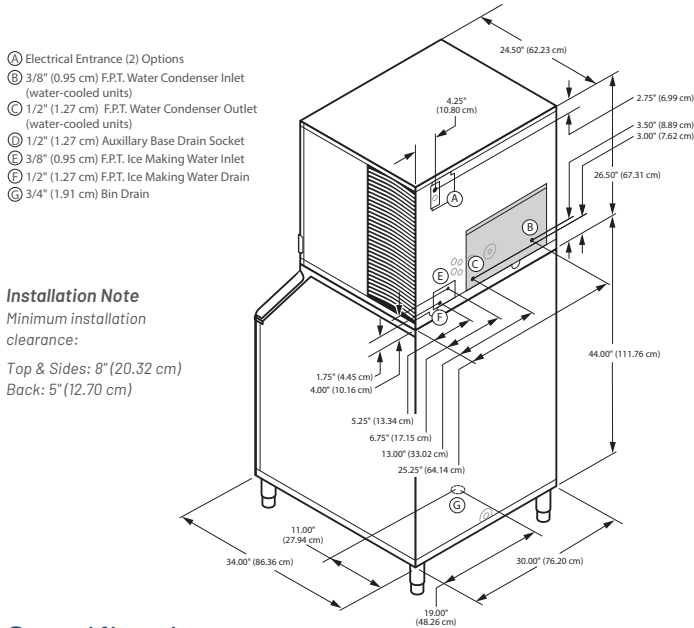
Water Temperature Range:  
40° to 90° F (4.4° to 32.2° C)

Water Pressure Ice Maker Water In:  
Min. 20 psi (137.9 kPa)  
Max. 80 psi (551.1 kPa)



# IT0900N Ice Cube Machine

## IT0900N on D-570 Storage Bin



## Space-Saving Designs



	IT0900N D-570	IT0900N D-970
Height	76.50" 194.30 cm	76.50" 194.30 cm
Width	30.00" 76.20 cm	30.00" 76.20 cm
Depth	34.00" 86.30 cm	34.00" 86.30 cm
Bin Storage	365 lbs. 165.70 kgs	532 lbs. 241.10 kgs

Height includes adjustable bin legs 6.00" to 8.00", (15.24 to 20.32 cm) set at 6.00" (15.24 cm).  
Bin capacity is based on 90% of the volume x 33 lbs/ft<sup>3</sup> average density of ice.

## Specifications

Model	Ice Shape	Ice Production 24 Hours		Power Usage kWh/100 lbs. @90° Air/70° F	Potable Water Usage/100 lbs. 45.4 kgs of Ice
		70° Air/50° F Water	90° Air/70° F Water		
		1 Ph	1 Ph	1 Ph	
REMOTE-COOLED	IDT-0900N dice	830 lbs	690 lbs	5.0	20.0 Gal.
		376 kg	313 kg		75.70 L
REMOTE-COOLED	IYT-0900N half-dice	837 lbs	731 lbs	5.0	20.0 Gal.
		380 kg	331 kg		75.70 L

**Commercial Warranty** - Ice Maker three (3) years parts and labor  
Evaporator five (5) years parts and labor  
Compressor five (5) years parts, three (3) years labor

## Standard Remote Tubing Kits

Tubing Kit	Tubing Length
RT20R410	20 ft / 6.10 m
RT35R410	35 ft / 10.70 m
RT50R410	50 ft / 15.20 m

Ice storage bin and JCT1200-261 remote condenser must be ordered separately. Consult remote condenser specification sheet for details.  
Tubing Kits come pre-charged with quick connects.



## Accessories

### LuminCe® Virus and Bacteria Inhibitor

Controls viruses and bacteria in the ice machine.



### External Scoop Holder

Protects the ice scoop with the NSF-approved, versatile scoop holder.



### Arctic Pure® Plus Water Filters

Reduces sediments and contaminants down to 0.5 microns, and 95% of chlorine taste & odor. Use with a pre-filter is recommended.



### iAuCS®

Schedules and performs routine ice machine cleaning automatically.



2110 South 26th Street | Manitowoc, WI 54220 | United States  
920.682.0161 (US Only) | 920.683.7589 Fax | manitowocice.com

All indicated Pentair trademarks and logos are property of Pentair. Third party registered and unregistered trademarks and logos are the property of their respective owners.  
©2023 Pentair. All rights reserved.