



# Assembly Instructions

January 2021

# Assembly Instructions

---

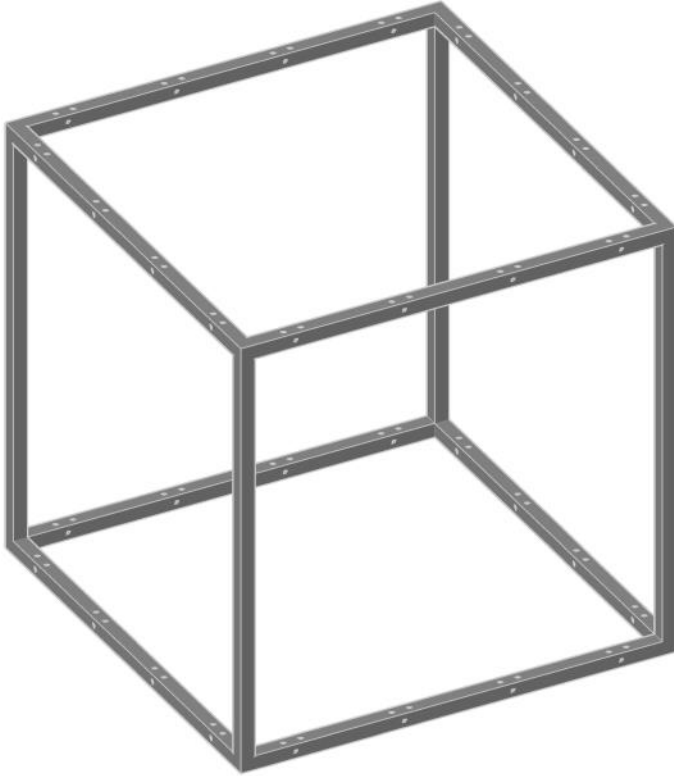
## Content

<b>General</b>	Page 3
<b>GRID Basic Module</b>	Page 4
<b>Cross Brace</b>	Page 5
<b>Shelf/Side</b>	Page 6
<b>Top/Base/Side Panel</b>	Page 10
<b>Plinth</b>	Page 13
<b>Castors</b>	Page 14
<b>Legs</b>	Page 15
<b>Storage</b>	Page 16
<b>Glass Door</b>	Page 22
<b>Whiteboard-/Cork-/Felt Panel</b>	Page 24
<b>Felt Side</b>	Page 25
<b>Box Side Panel</b>	Page 26
<b>Top Box</b>	Page 27
<b>Plant Box Insert</b>	Page 28
<b>Double Side</b>	Page 29
<b>Magazine Shelf</b>	Page 30
<b>Divider Insert</b>	Page 32
<b>Seat</b>	Page 34
<b>Hanger Kit</b>	Page 34
<b>Hanger</b>	Page 35
<b>How to assemble a configuration</b>	Page 36

# General

---

## GRID Basic Module



Turn the GRID Basic Module until sides without holes are positioned vertically.

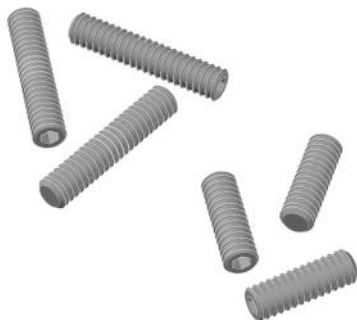
Always build from the bottom up.

## Tool



Use a screwdriver with the supplied bit.

## Screws



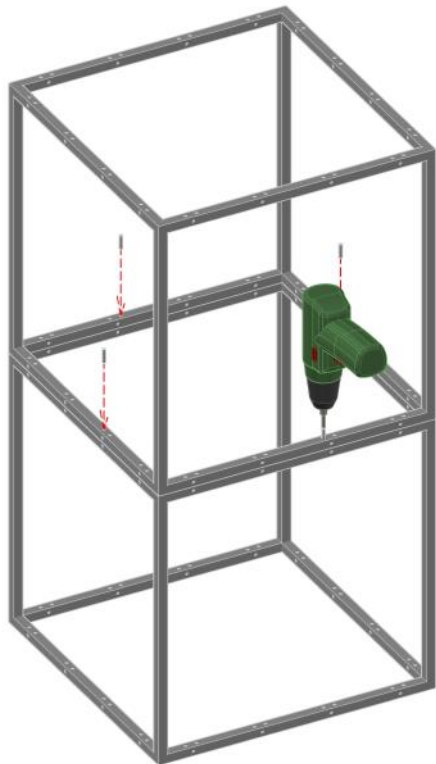
Standard GRID screw:  
4x20mm set screw in stainless steel.  
Use the Standard GRID screw unless otherwise specified.

Short GRID screw:  
4x12mm set screw in stainless steel.  
Use Short GRID screws for clear, frosted or mirror Side/Shelf.

## GRID Basic Module

---

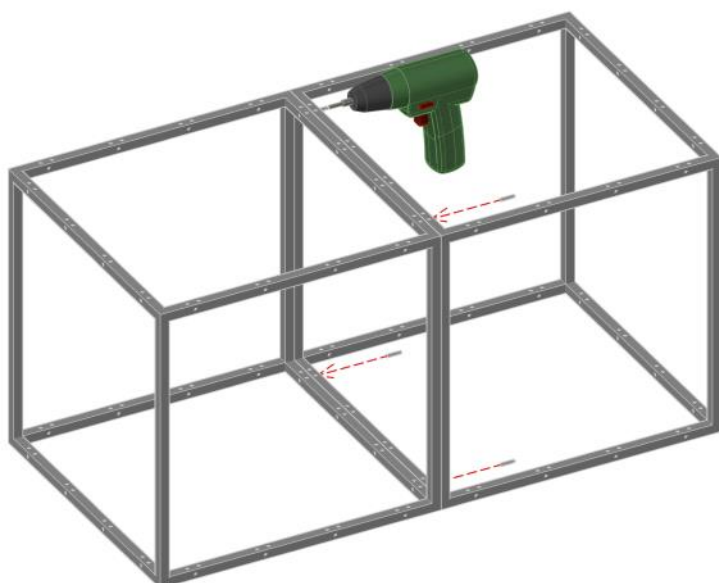
### GRID Basic Module, stacked



Screw 4 Standard GRID screws into the frame as illustrated.

The GRID screws must be flush with the surface.

### GRID Basic Module, side by side



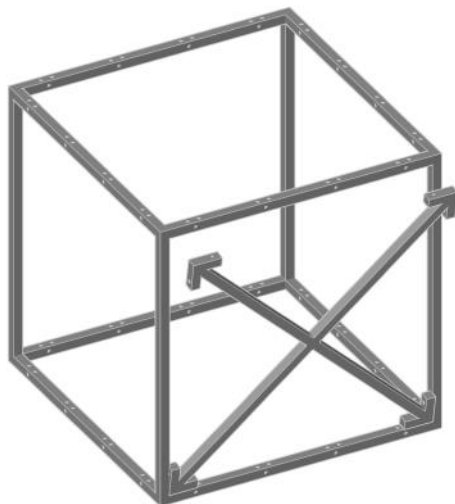
Screw 4 Standard GRID screws into the frame as illustrated.

The GRID screws must be flush with the surface.

# Cross Brace

---

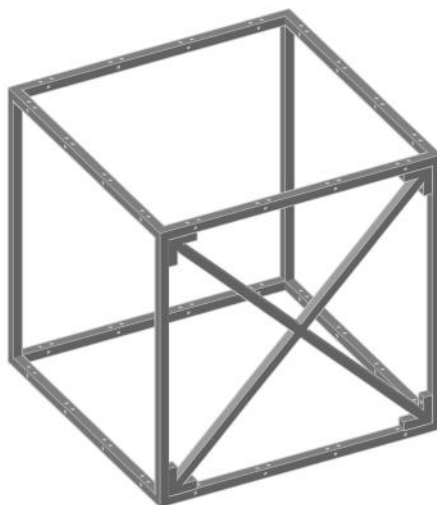
## Cross Brace, clicked into the frame



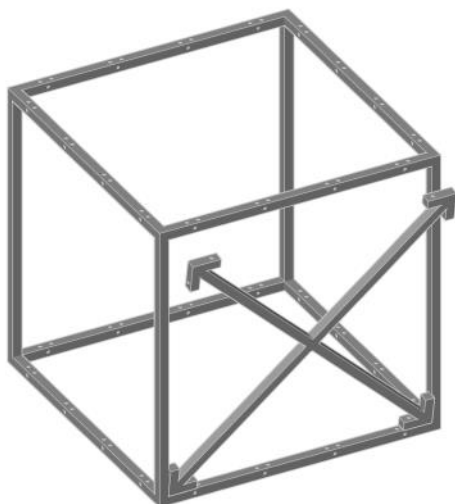
Cross Braces are used vertically only.

Turn the cross braces until the small plastic knobs point up and down respectively.

Push the Cross Brace into the frame making sure the plastic knobs meet the mounting holes of the module.



## Cross Brace, screwed into the frame

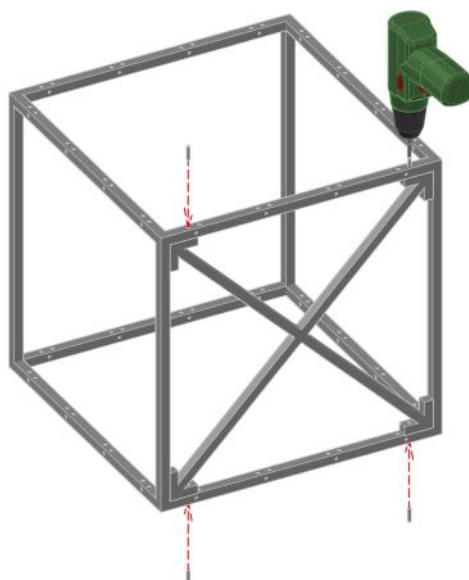


Turn the Cross Braces until the mounting holes point up and down respectively.

Push the Cross Brace into place.

Screw 4 Standard GRID screws into the frame as illustrated.

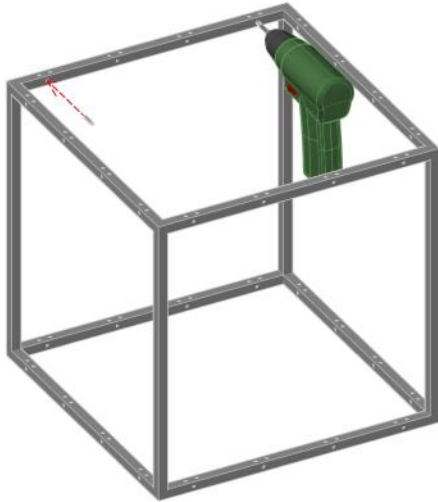
The GRID screws must be flush with the surface.



## Shelf/Side

---

### Laquered/veneered MDF, mounted as shelf



Screw 2 Standard GRID screws into the rear frame as illustrated.

The GRID screws should be protruding approx. 10mm.



Slide the Shelf/Side over the screws and push into place.



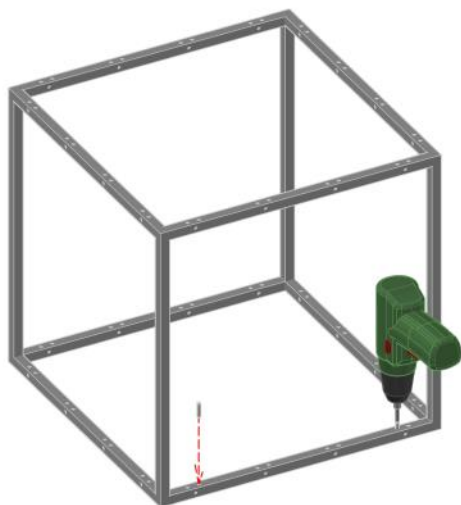
Screw 2 Standard GRID screws into the front frame as illustrated.

The GRID screws must be flush with the surface.

## Shelf/Side

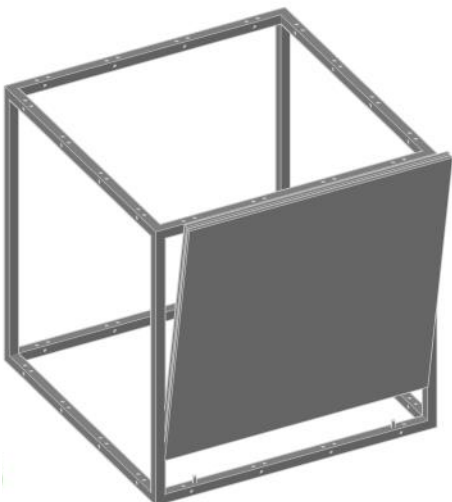
---

### Laquered/veneered MDF, mounted as side

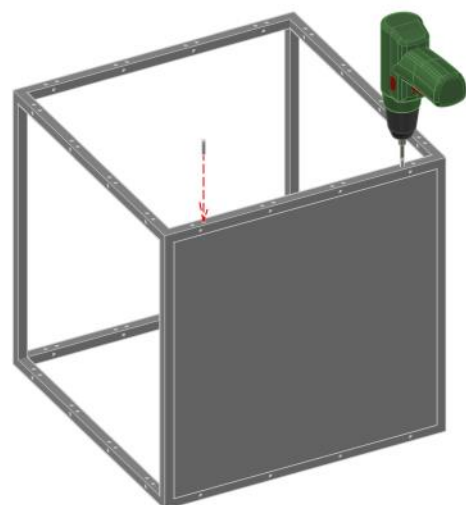


Screw 2 Standard GRID screws into the frame as illustrated.

The GRID screws should be protruding approx. 10mm.



Slide the Shelf/Side over the screws and push into place.



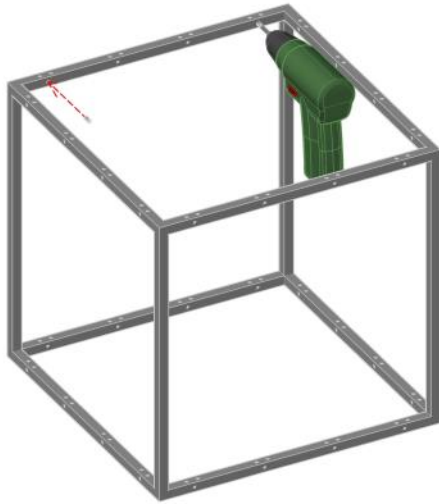
Screw 2 Standard GRID screws into the front frame as illustrated.

The GRID screws must be flush with the surface.

## Shelf/Side

---

### Clear/frosted/mirror, mounted as shelf

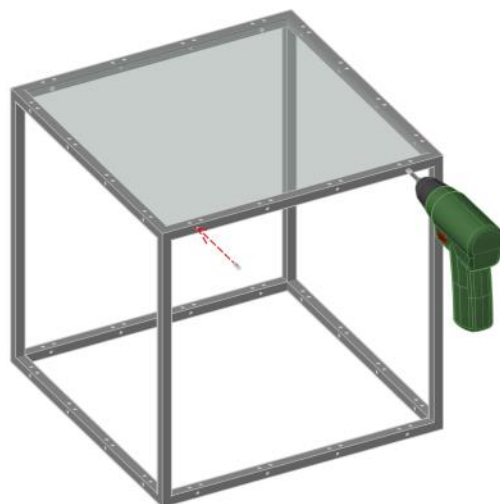


Screw 2 Short GRID screws into the rear frame as illustrated.

The GRID screws should be protruding approx. 10mm.



Slide the Shelf/Side over the screws and push into place.



Screw 2 Short GRID screws into the front frame as illustrated.

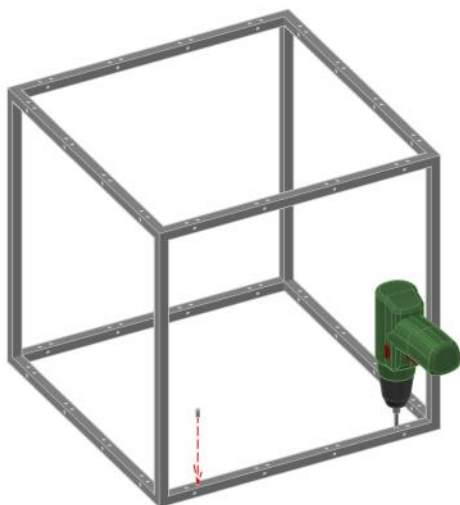
Screw the GRID screws into the frame until you feel that the shelf is firmly fixed.



## Shelf/Side

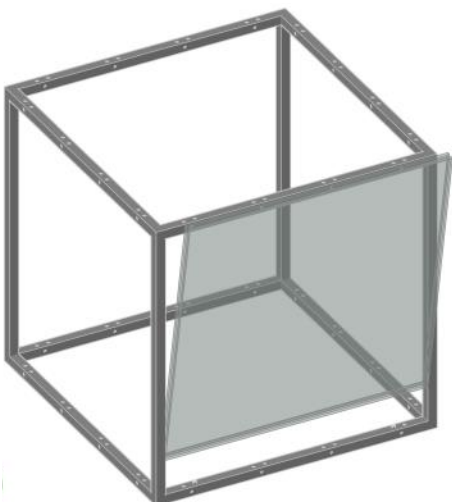
---

Clear/frosted/mirror, mounted as side

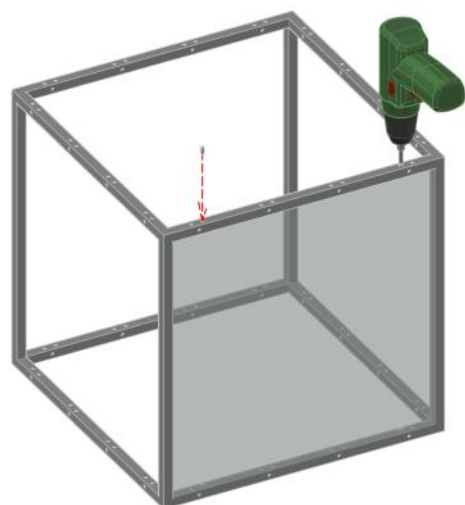


Screw 2 Short GRID screws into the base frame as illustrated.

The GRID screws should be protruding approx. 10mm.



Slide the Shelf/Side over the screws and push into place.



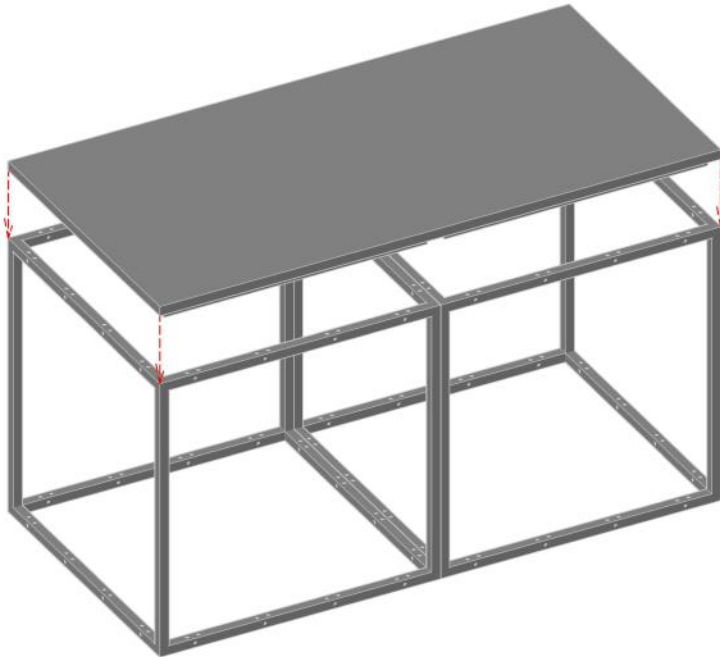
Screw 2 Standard GRID screws into the front frame as shown.

Screw the GRID screws into the frame until you feel the shelf is firmly fixed.

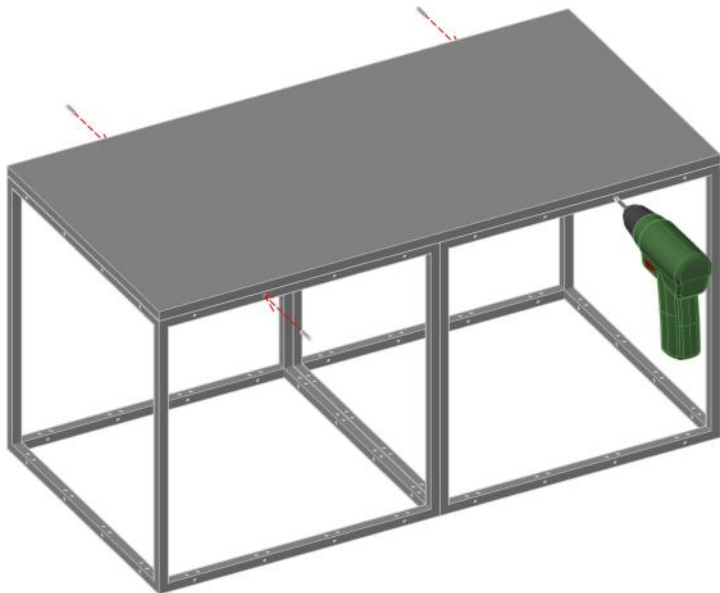
## Top/Base/Side Panel

---

### Mounted as Top Panel



Place the Top Panel on the GRID modules and push into place.



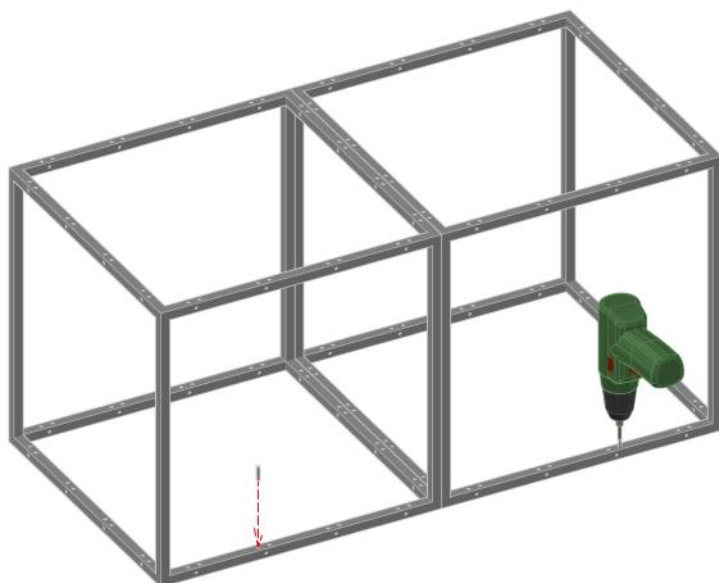
Screw 4 Standard GRID screws into the top frame as illustrated.

The GRID screws must be flush with the surface.

## Top/Base/Side Panel

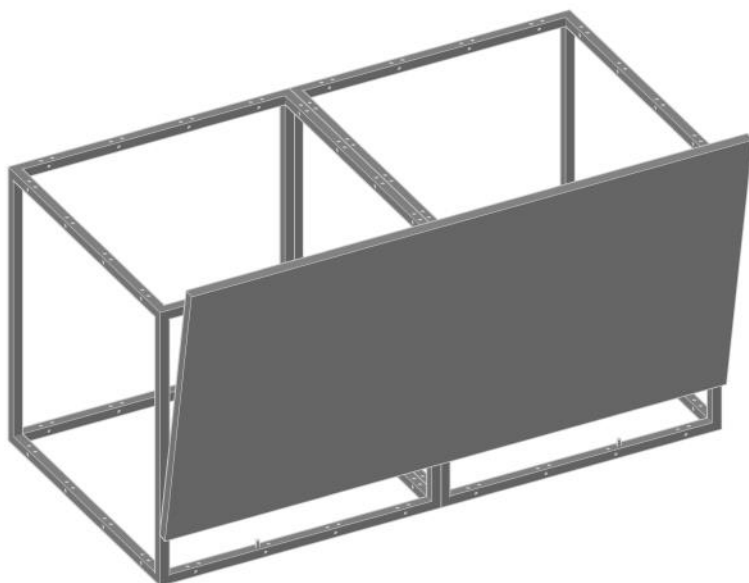
---

### Mounted as Side Panel

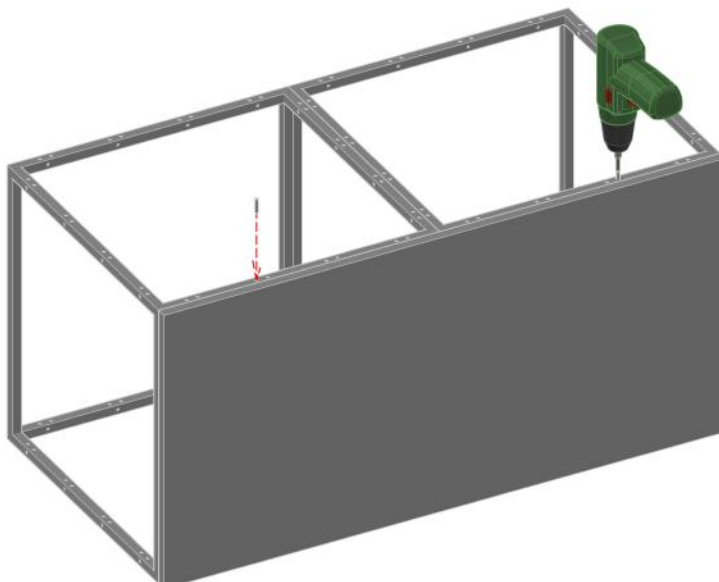


Screw 2 Standard GRID screws into the base frame as illustrated.

The GRID screws should be protruding approx. 10mm.



Push the Side Panel into place over the screws.



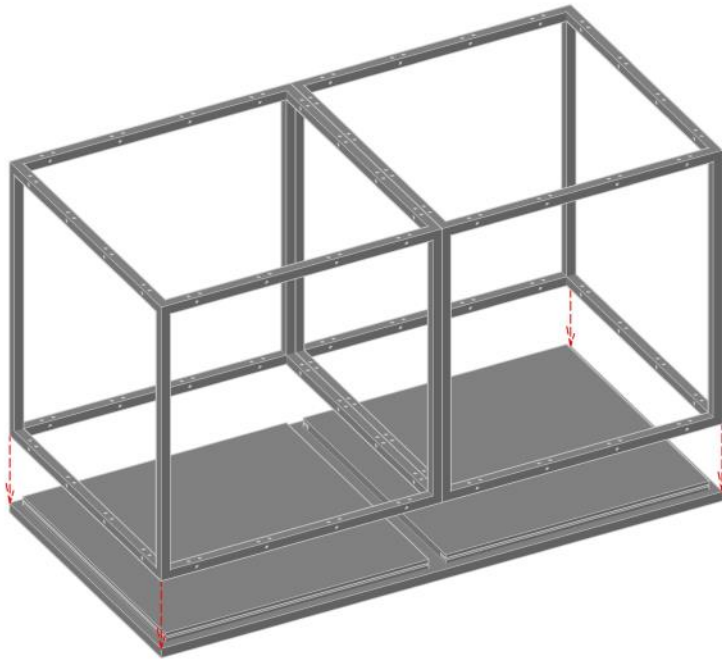
Screw 2 Standard GRID screws into the top frame as illustrated.

The GRID screws must be flush with the surface.

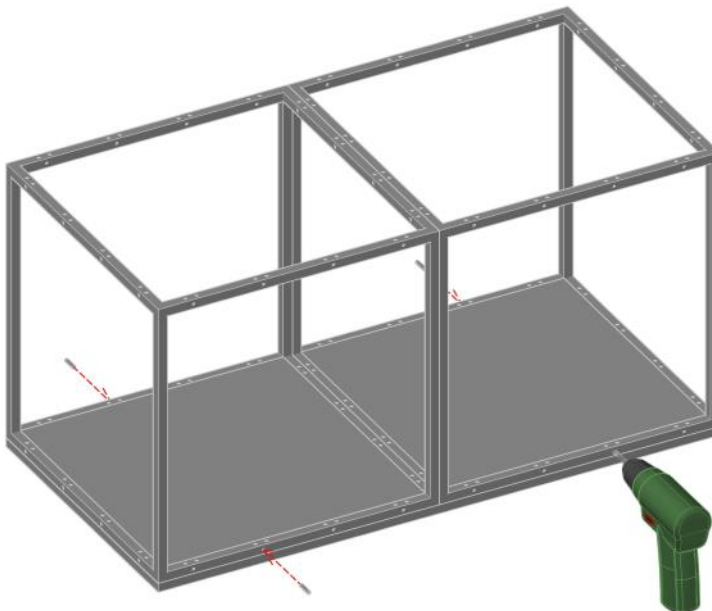
## Top/Base/Side Panel

---

### Mounted as Base Panel



Place the GRID modules on top of the Base Panel and push into place.

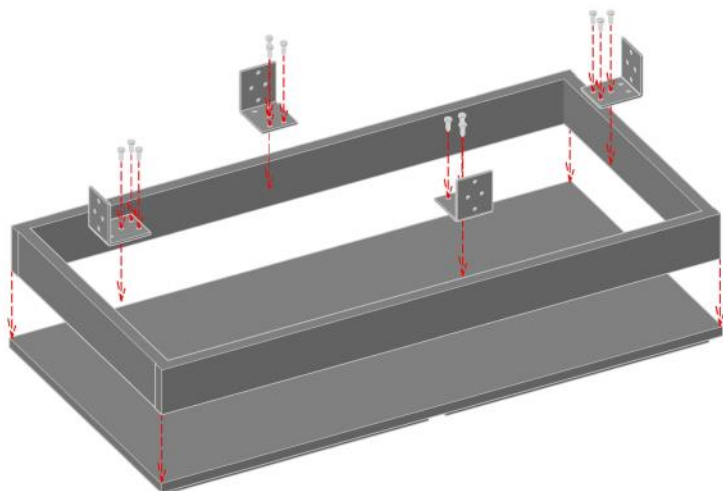


Screw 4 Standard GRID screws into the base frame as illustrated.

The GRID screws must be flush with the surface.

# Plinth

## Plinth

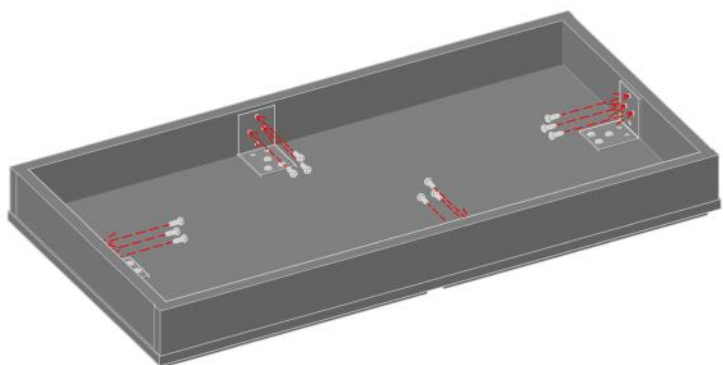


Place the Plinth centered onto the flat side of the Base Panel.

Position the brackets as shown.

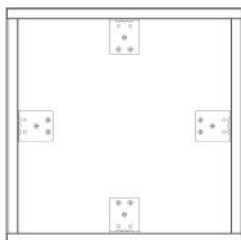
Please note dimensions on the drawings below.

Screw the brackets into the Base Panel as illustrated, using the screws supplied.

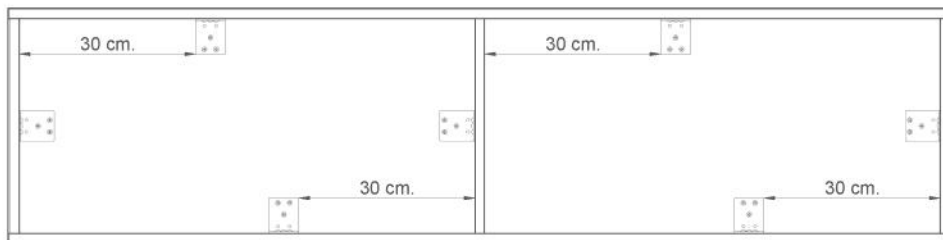


Screw the brackets to the Plinth as illustrated, using the screws supplied.

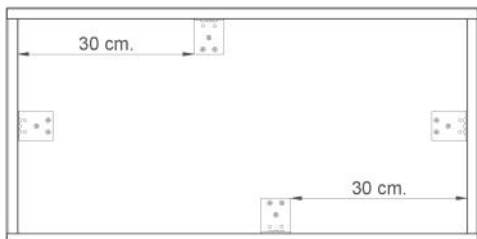
Plinth for 1 module



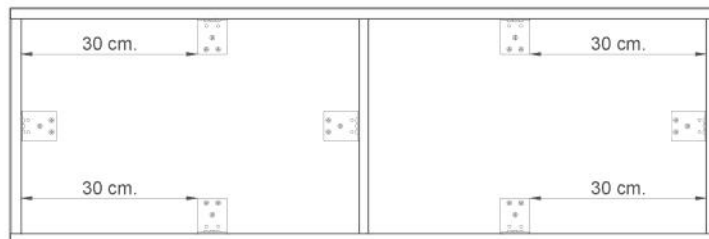
Plinth for 4 modules



Plinth for 2 modules



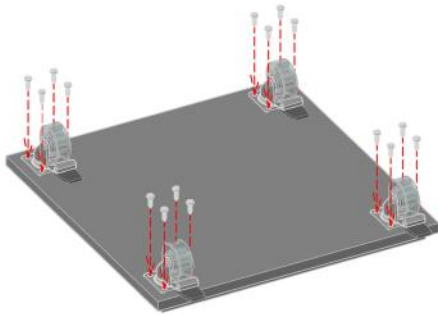
Plinth for 3 modules



# Castors

---

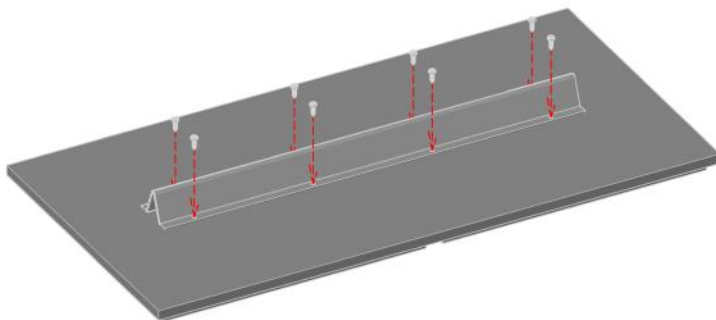
## Set of Castors for 1 module



Position the castors on the flat side and in the corners of the Base Panel, 2,5cm from the edges.

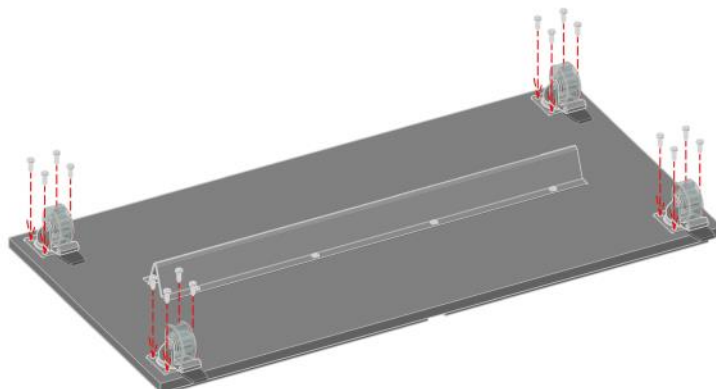
Screw on the castors as illustrated, using the screws supplied.

## Set of Castors for 2, 3 and 4 modules



Position the cross beam centered on the flat side of the Base Panel.

Screw on the cross beam as illustrated, use all mounting holes and the screws supplied.

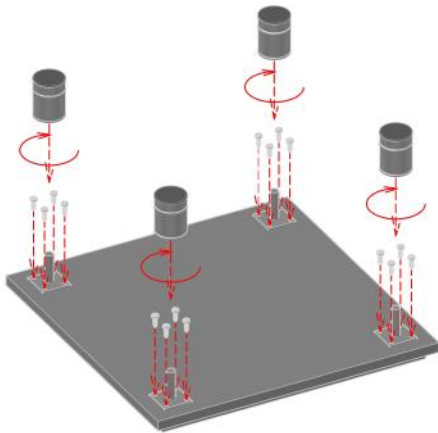


Position the castors on the flat side and in the corners of the Base Panel, 2,5cm from the edges.

Screw on the castors as illustrated, using the screws supplied.

# Legs

## Set of adjustable Legs for 1 module



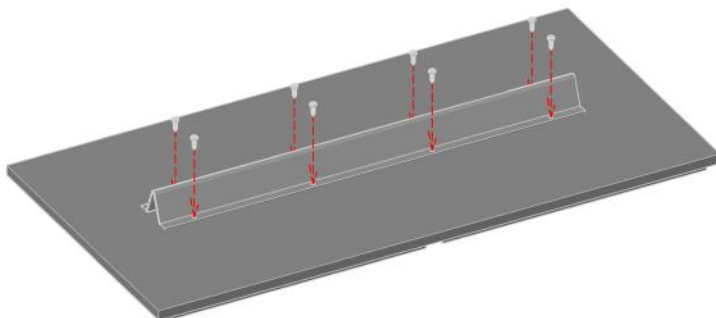
Unscrew the legs from the base fittings.

Position the base fittings on the flat side and in the corners of the Base Panel, 2,5cm from the edges.

Screw on the base fittings as illustrated, using the screws supplied.

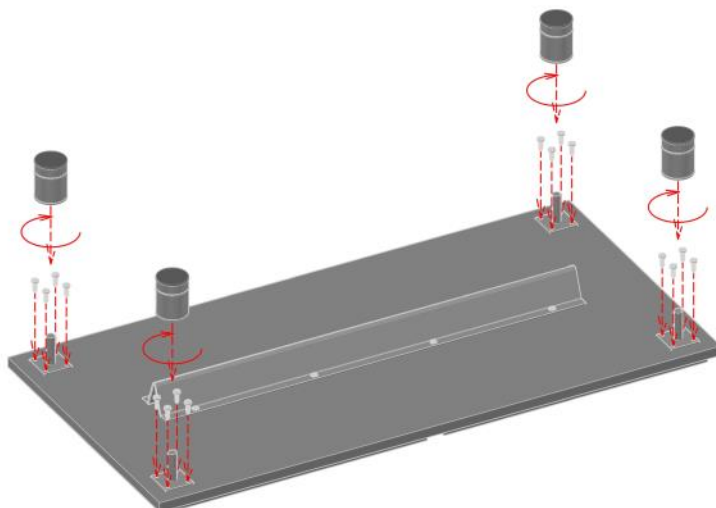
Screw the legs back on to the base fittings.

## Set of adjustable legs for 2, 3 and 4 modules



Position the cross beam centered on the flat side of the Base Panel.

Screw on the cross beam as illustrated, use all mounting holes and the screws supplied.



Unscrew the legs from the base fittings.

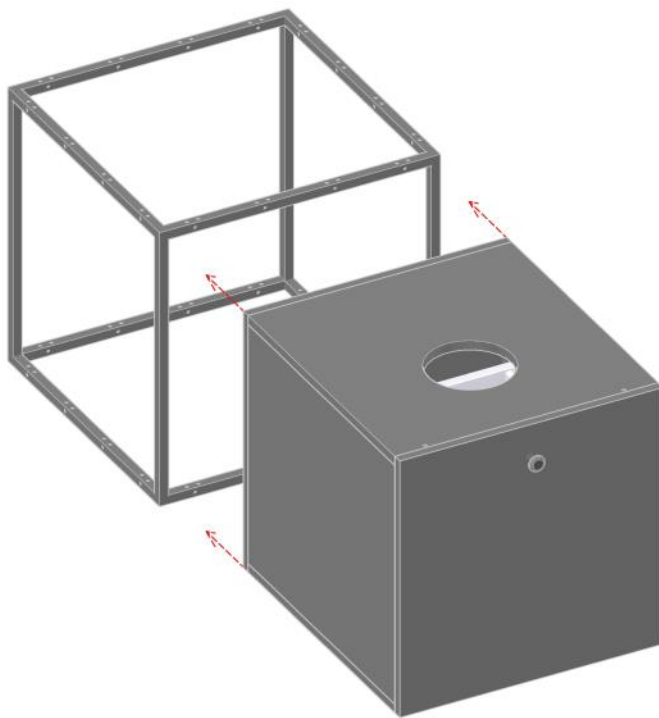
Position the base fittings on the flat side and in the corners of the Base Panel, 2,5cm from the edges.

Screw on the base fittings as shown, using the screws supplied.

Screw the legs back on to the base fittings.

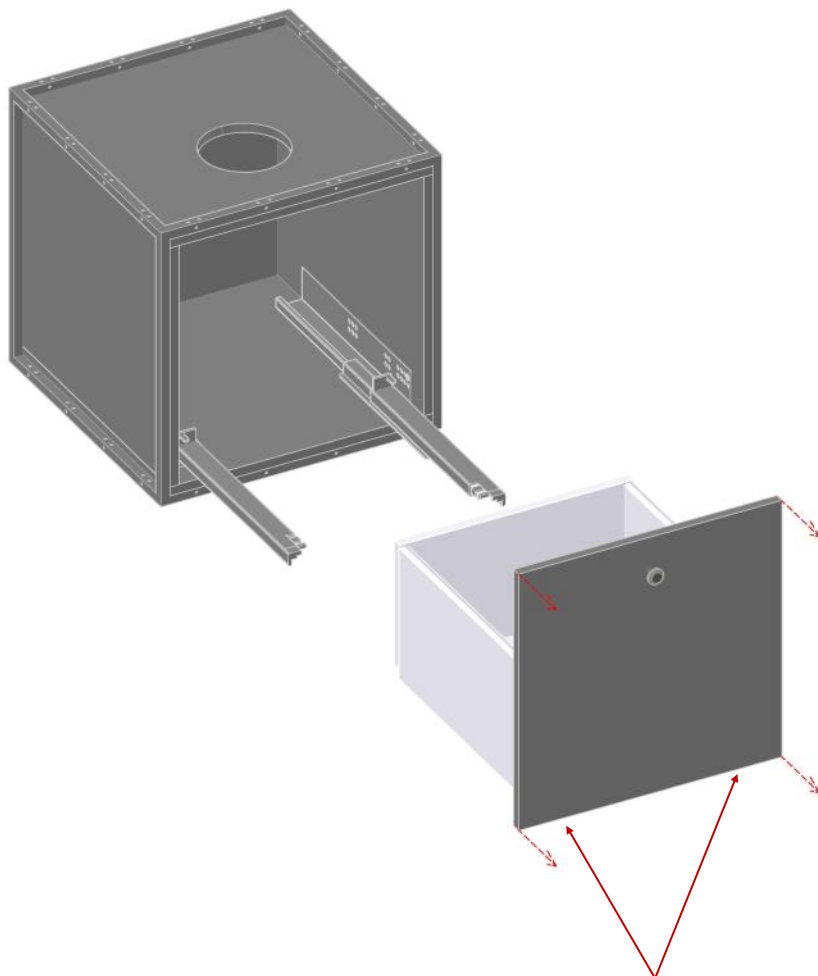
# Storage

## Drawer Insert



Push the Drawer Insert into the GRID module.

Handling of the Drawer Insert is easy when using the cutout on top as a handle.



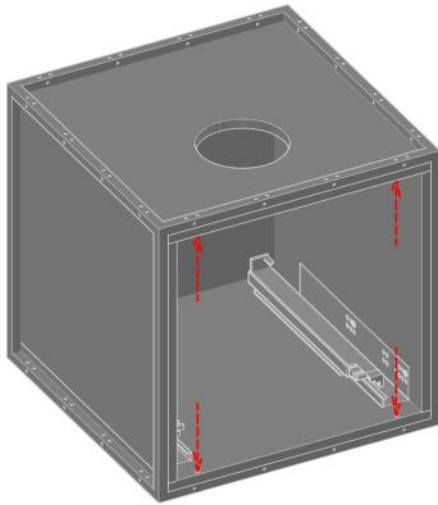
Remove the drawer by releasing the 2 locking pawls underneath the drawer, see photo.





# Storage

## Drawer Insert



Screw 4 Standard GRID screws into the 4 mounting holes as illustrated.

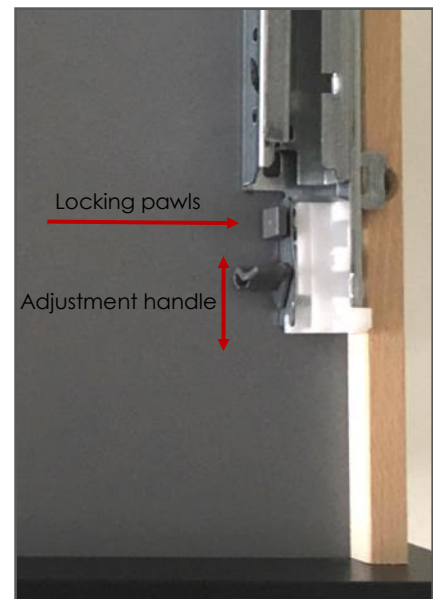
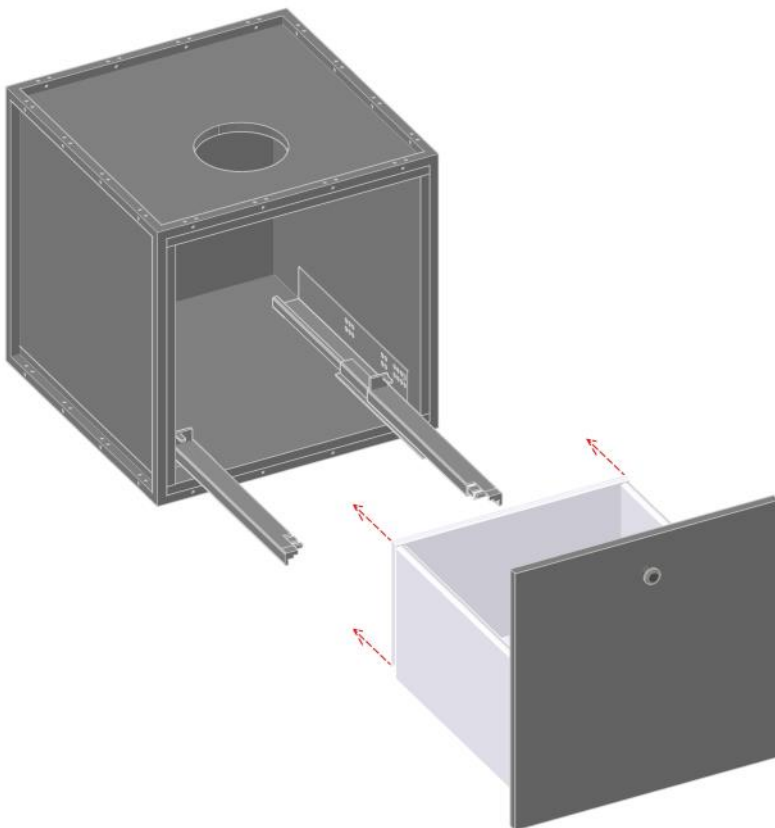
The GRID screws must be flush with the surface.

Place the drawer onto the rails and pull until the drawer falls into place.

(May require several attempts.)

Push the locking pawls back in, see photo.

Adjust the height of the drawer, if necessary, using the 2 adjustment handles underneath the drawer.

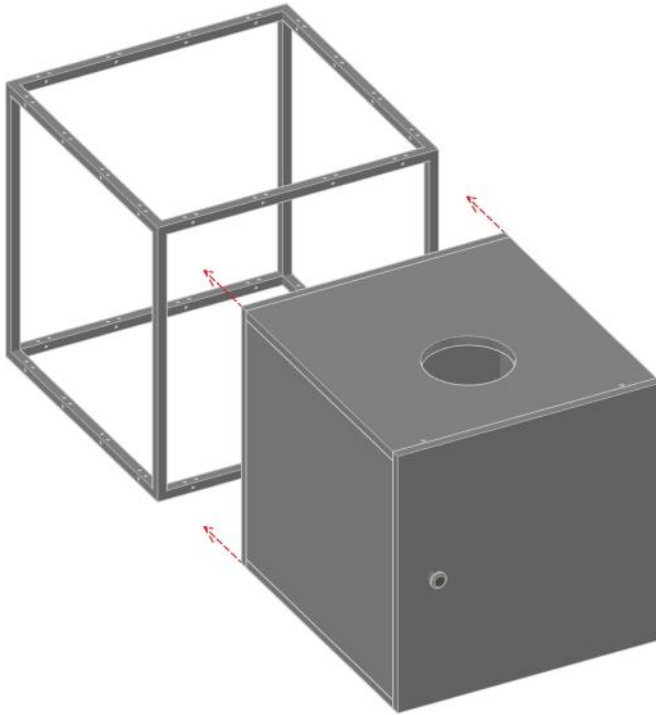


Please note that the handle is often attached to the inside of the drawer upon delivery.

# Storage

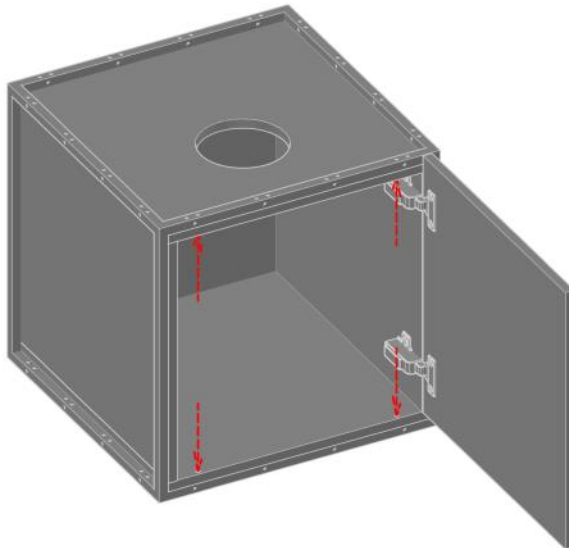
---

## Cupboard Insert



Push the Cupboard Insert into the GRID module.

Handling of the Cupboard Insert is easy when using the cutout on top as a handle.



Screw 4 Standard GRID screws into the 4 mounting holes as illustrated.

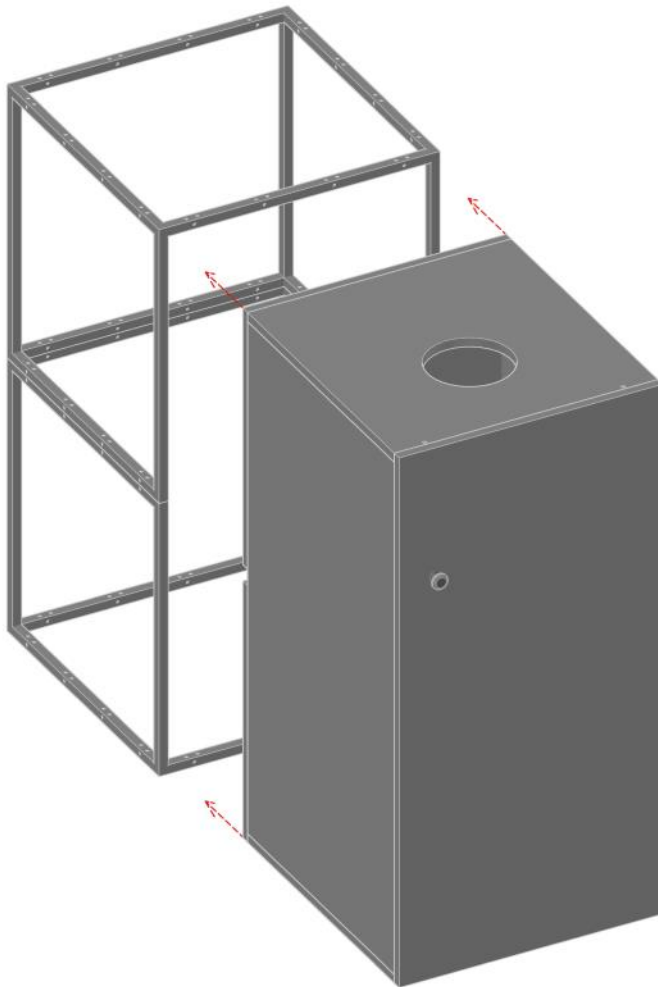
The GRID screws must be flush with the surface.

Please note that the handle is often attached to the inside of the door upon delivery.

# Storage

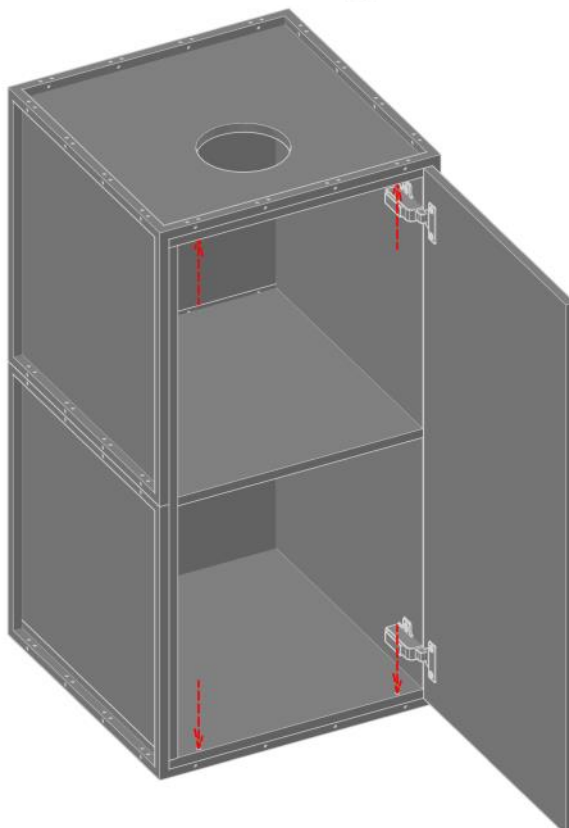
---

## Cupboard Insert, high



Push the Cupboard Insert into the GRID Module.

Handling of the Cupboard Insert is easy when using the cutout on top as a handle.



Screw 4 Standard GRID screws into the 4 mounting holes as illustrated.

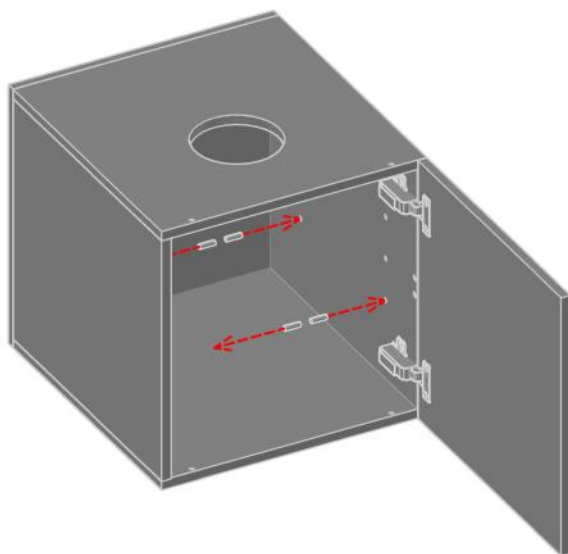
The GRID screws must be flush with the surface.

Please note that the handle is often attached to the inside of the door upon delivery.

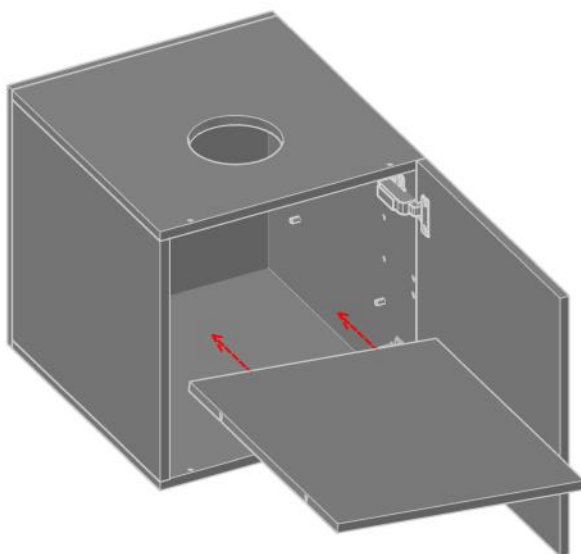
# Storage

---

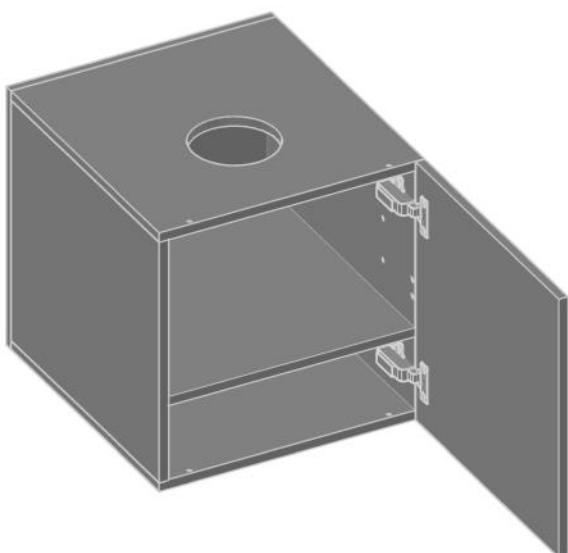
## Shelf for Cupboard Insert



Position the 4 shelf pins at the desired height.



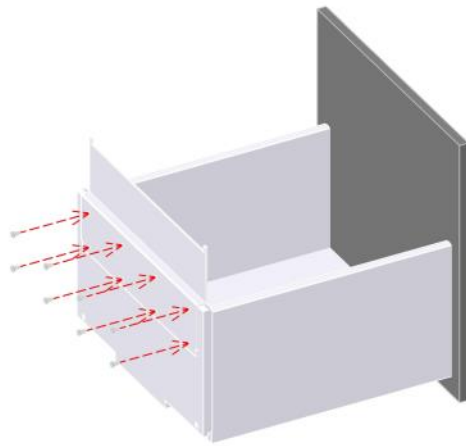
Turn the shelf slightly, push into the insert and lower until it rests on the shelf pins.



# Storage

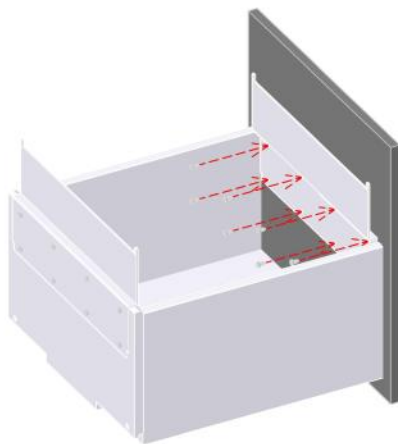
---

## Hanging File Insert for drawer



Place one bracket to rest on the rear edge of the drawer.

Fix the bracket with the screws supplied using all mounting holes as illustrated.

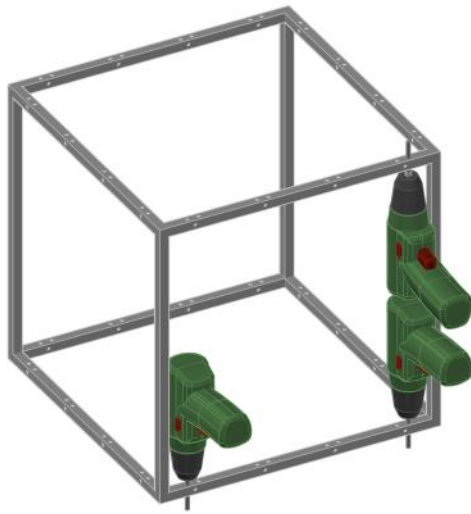


Place the other bracket on the front at the same height as the first bracket.

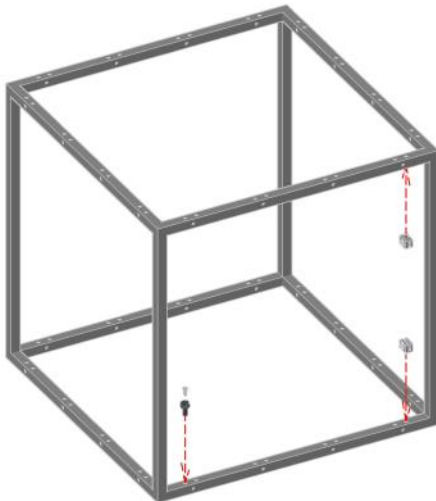
Fix the bracket with the screws supplied using all mounting holes as illustrated.

# Storage

## Door Kit



Use the drill bit supplied (4mm) to drill 3 holes as illustrated.

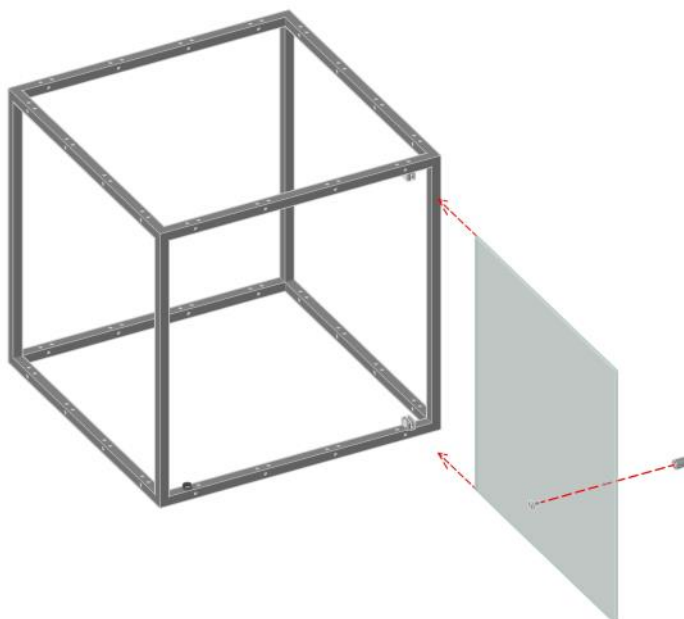


Carefully press the door stop into place.

Gently fasten the small screw.

Place the 2 hinges as illustrated.

Loosen the small screw on the hinges as much as possible.



Carefully slide the door into the hinges.

Tighten the screws slightly so the door can still be adjusted.

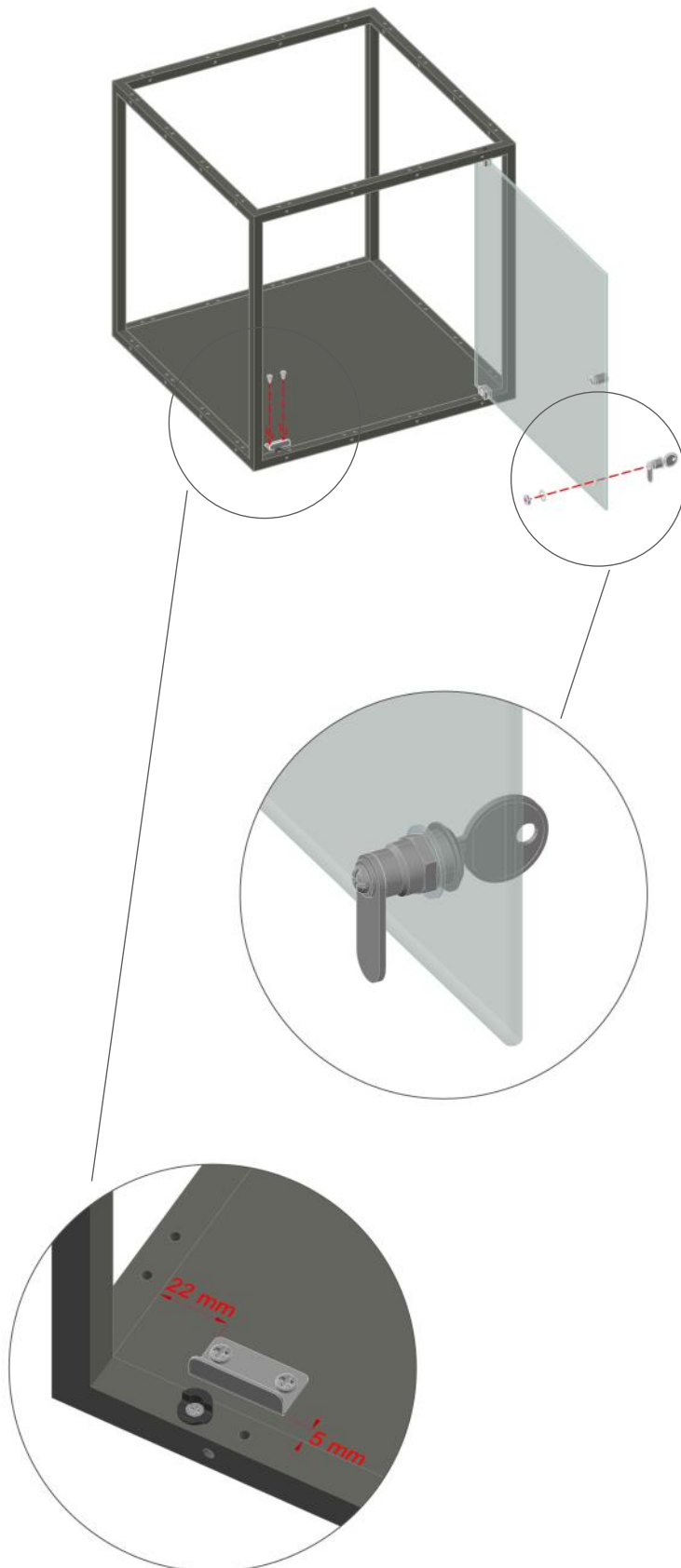
Adjust the door and tighten carefully.

Carefully screw in the handle with the screw supplied.

# Storage

## Door Kit with lock

Mount the door by following the steps described on page 22.



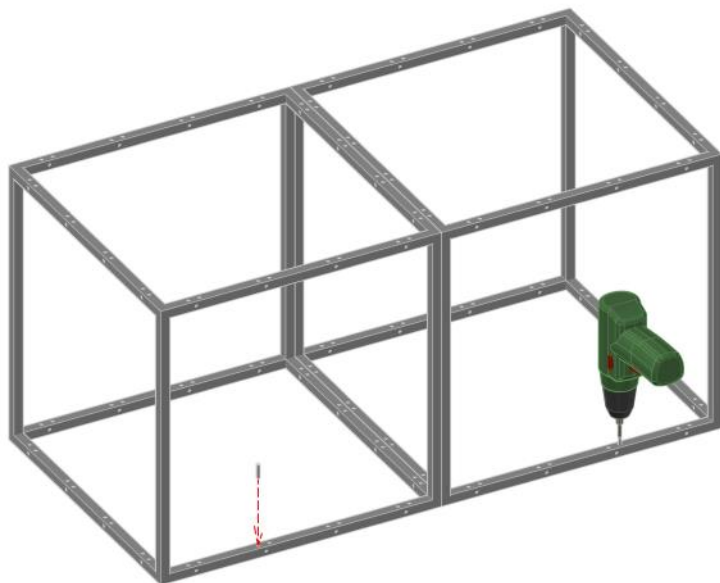
Position the lock by 'edging' it through the hole.

Fit the plastic washer first, then the nut. Adjust the lock, then tighten the nut.

Position the striking plate as illustrated. Screw in the 2 screws supplied.

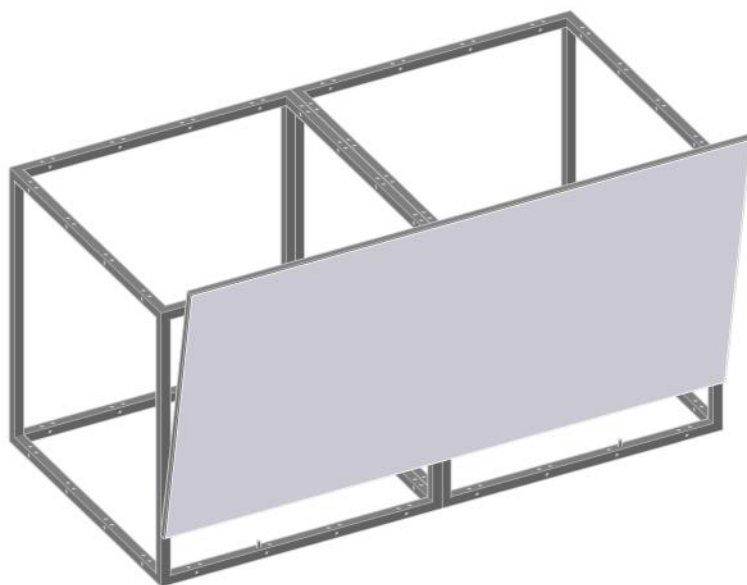
# Whiteboard/Cork/Felt Panel

## Whiteboard Panel

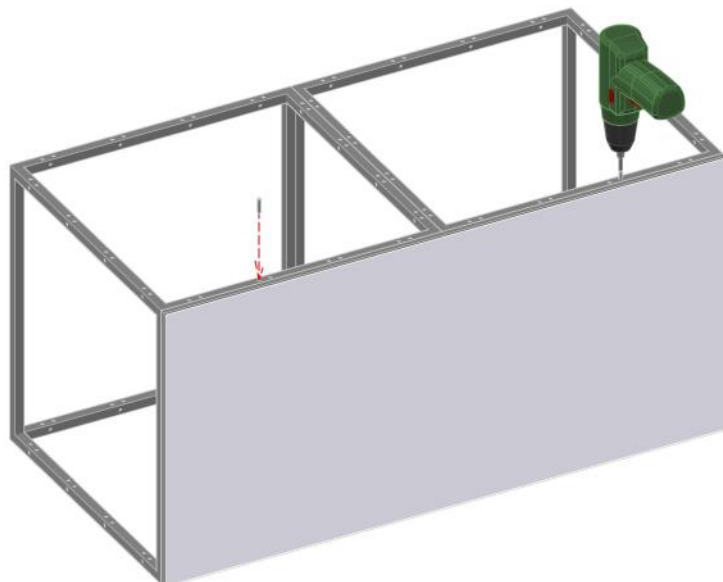


Screw 2 Standard GRID screws into the base frame as illustrated.

The GRID screws should be protruding approx. 10mm.



Push the Whiteboard Panel into place over the screws.



Screw 2 Standard GRID screws into the top frame as illustrated.

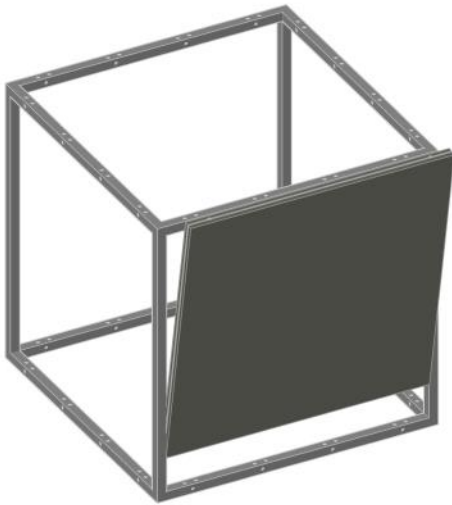
The GRID screws must be flush with the surface.

The same procedure applies to Felt Panel and Cork Panel.



## Felt Side

---



The Felt Side can only be used vertically and cannot operate as a shelf.

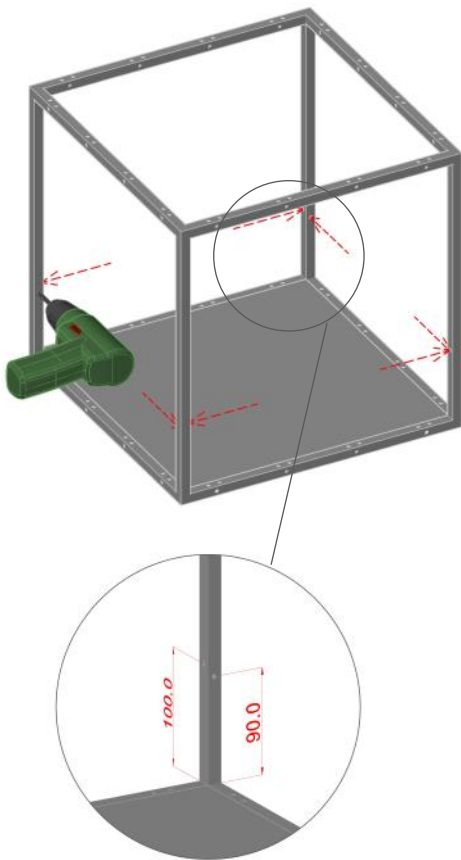
Turn the Felt Side until the small pins are facing up and down respectively.

Push the Felt Side into place so that the pins catch the mounting holes.

Start with the base frame and finish with the top frame of the module.

# Box Side Panel

## Box Side Panel

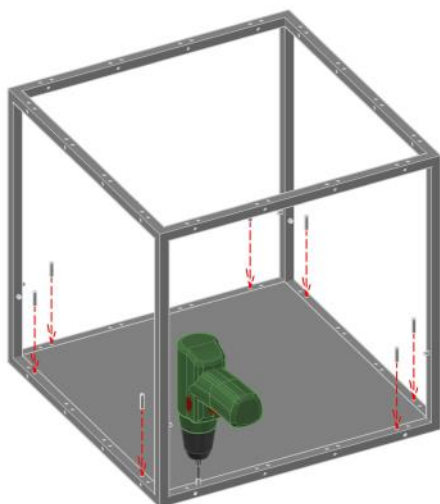
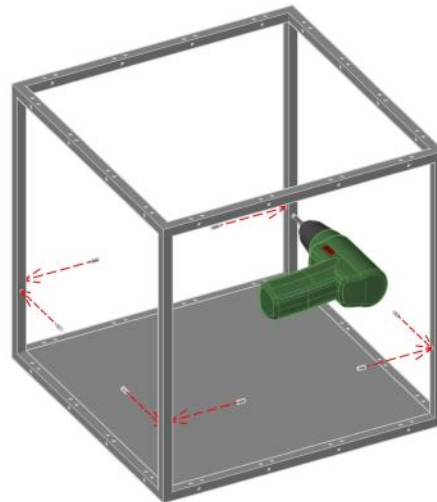


Drill 2 holes in each of the 4 vertical sides as illustrated.

Drill: 3,5 mm.

Depth: 8 mm.

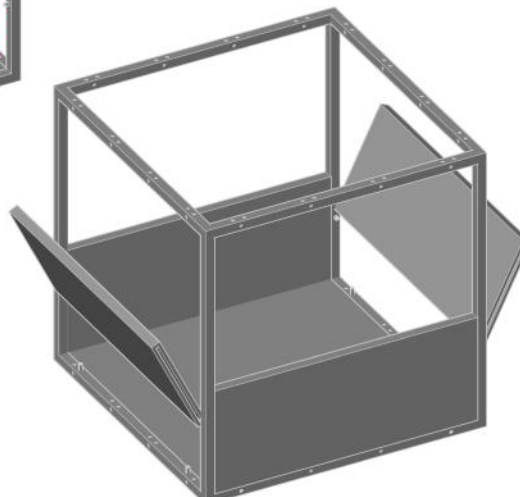
Screw 8 Short GRID screws into the holes, they should be protruding approx. 5mm.



Screw 8 Standard GRID screws into the base frame as illustrated.

The GRID screws should be protruding approx. 10mm.

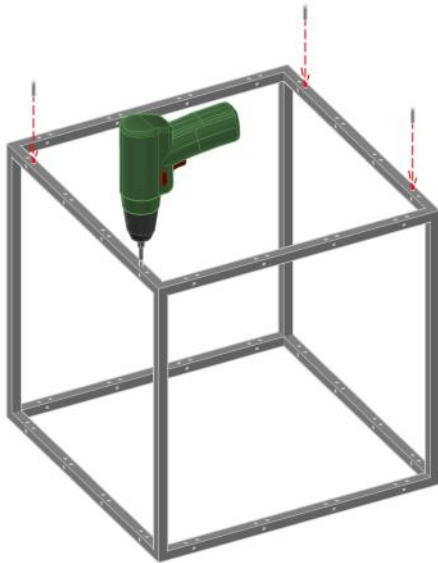
Mount the Box Side Panels by sliding them over the Short GRID screws and into place.



# Top Box

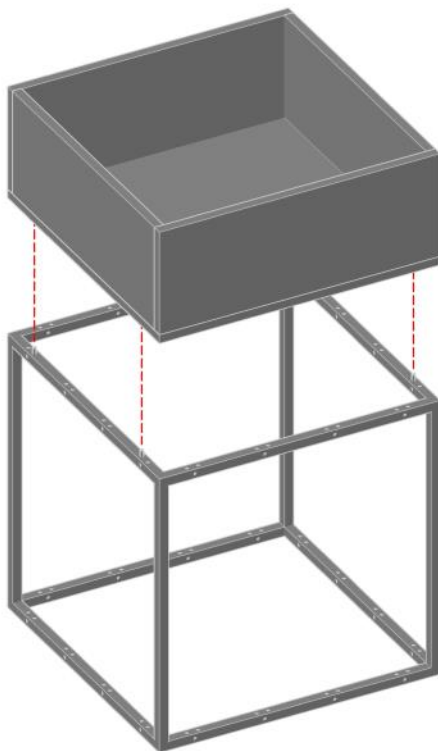
---

## Top Box



Screw 4 Standard GRID screws into the top frame as illustrated.

The GRID screws should be protruding approx. 10mm.

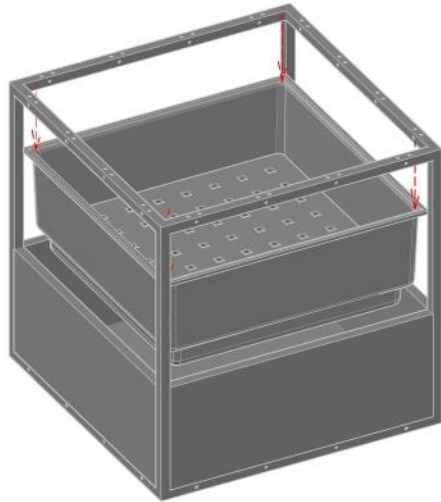


Press the Top Box over the screws into place.

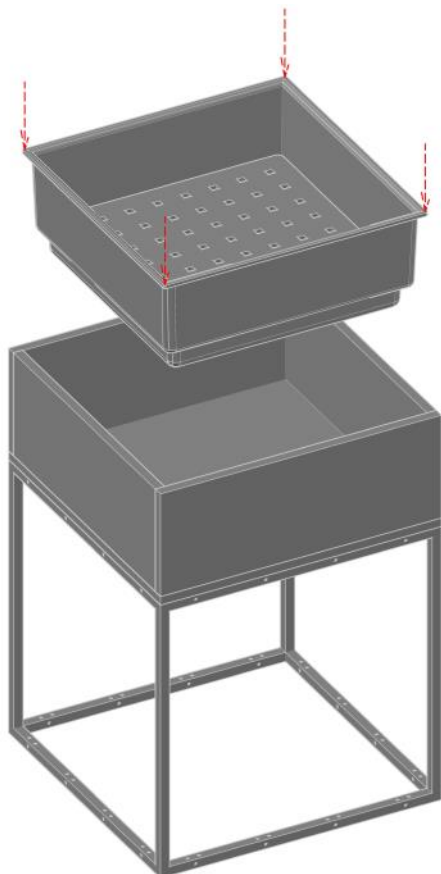
# Plant Box Insert

---

## Plant Box Insert in module with Box Side Panels



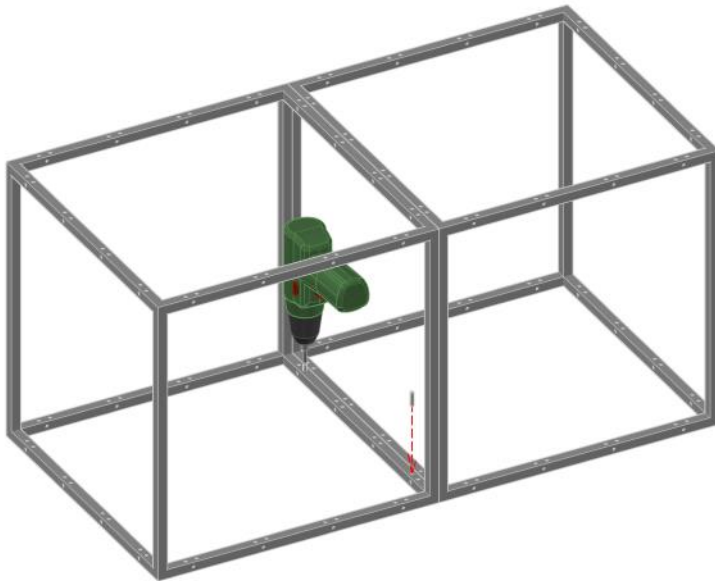
## Plant Box Insert in Top Box



# Double Side

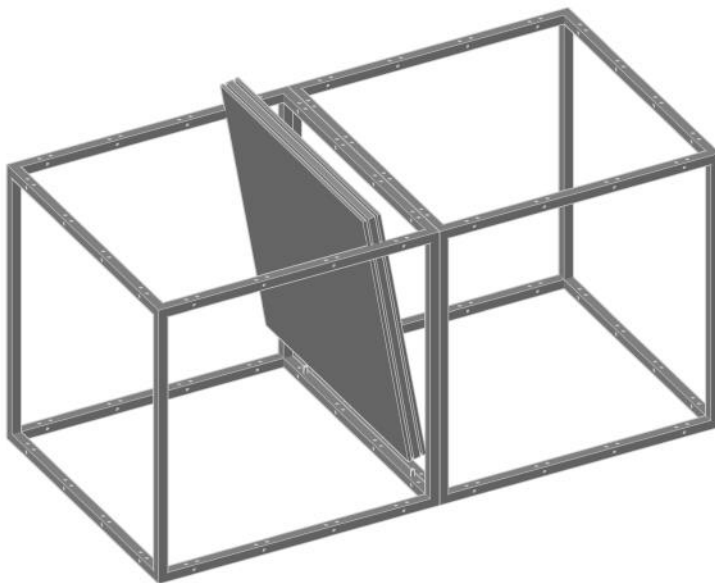
---

## Double Side

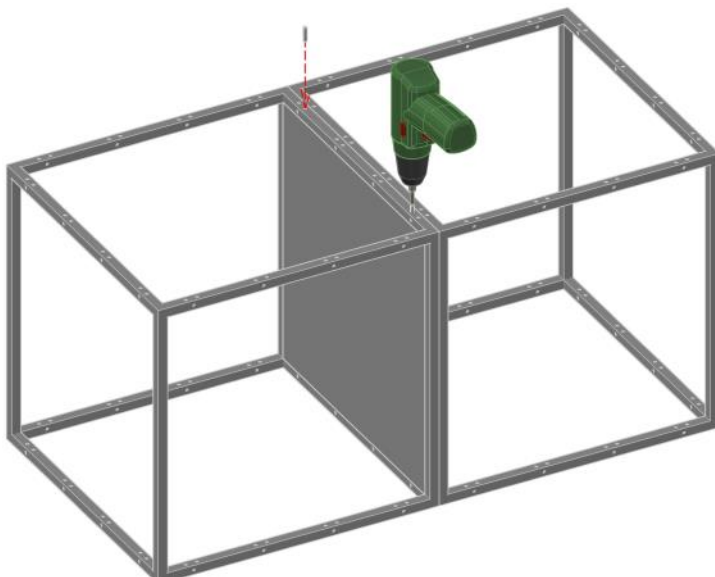


Screw 2 Standard GRID screws into the base frame as illustrated.

The GRID screws should be protruding approx. 10mm.



Slide the Double Side over the screws and push into place.

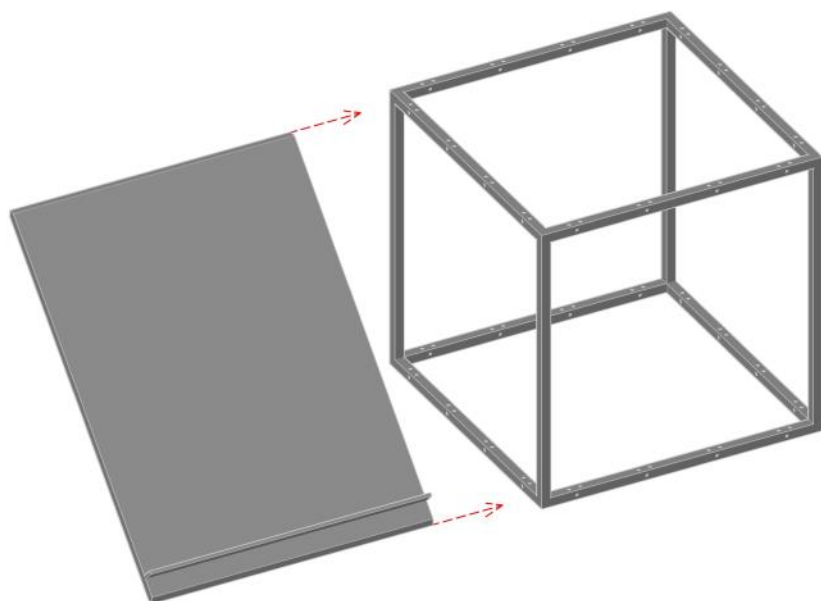


Screw 2 Standard GRID screws into the top frame as illustrated.

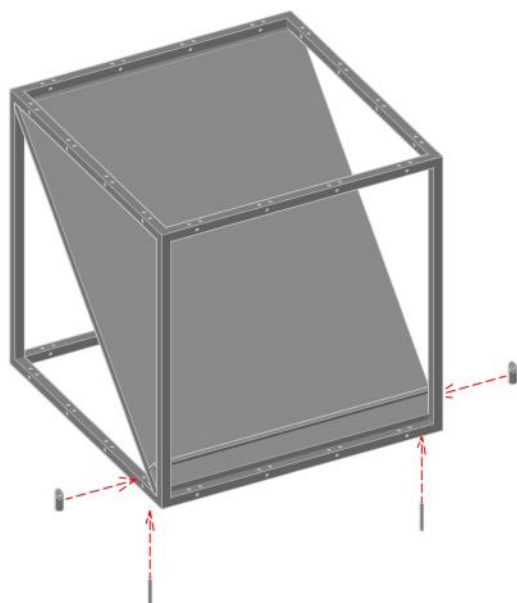
The GRID screws must be flush with the surface.

# Magazine Shelf

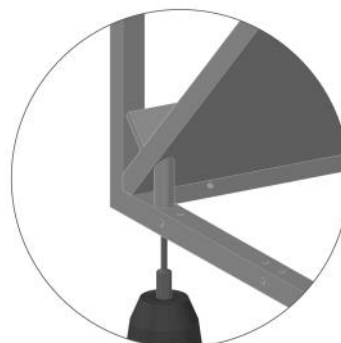
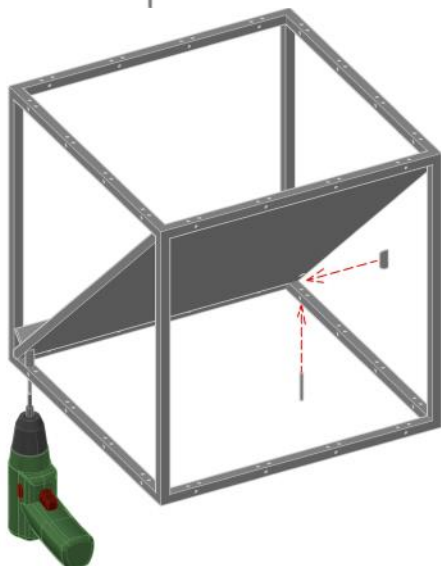
## Magazine Shelf, 1x1



Slide in the Magazine Shelf from the side as illustrated.



Screw 2 Standard GRID screws up into the frame from below through the bushing. The screws must catch the milling under the Magazine Shelf.

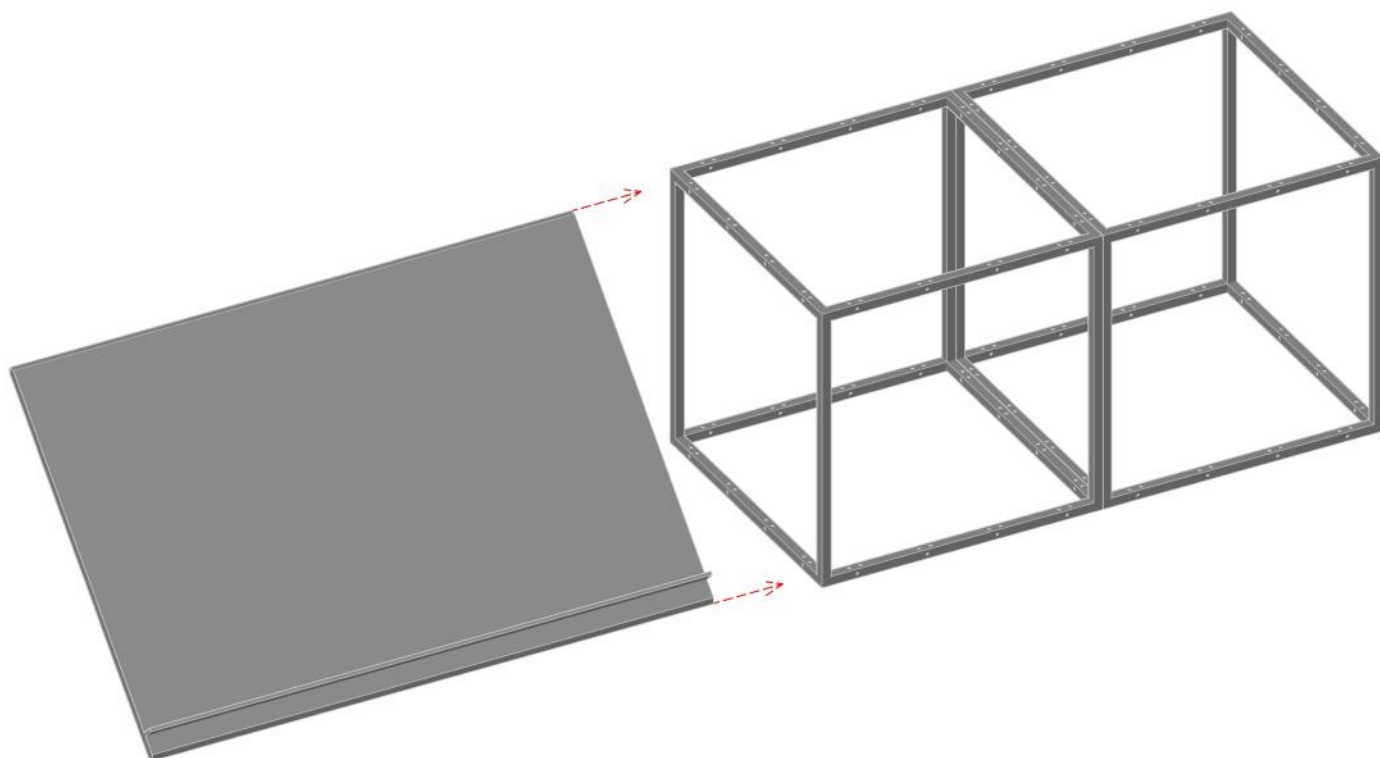


# Magazine Shelf

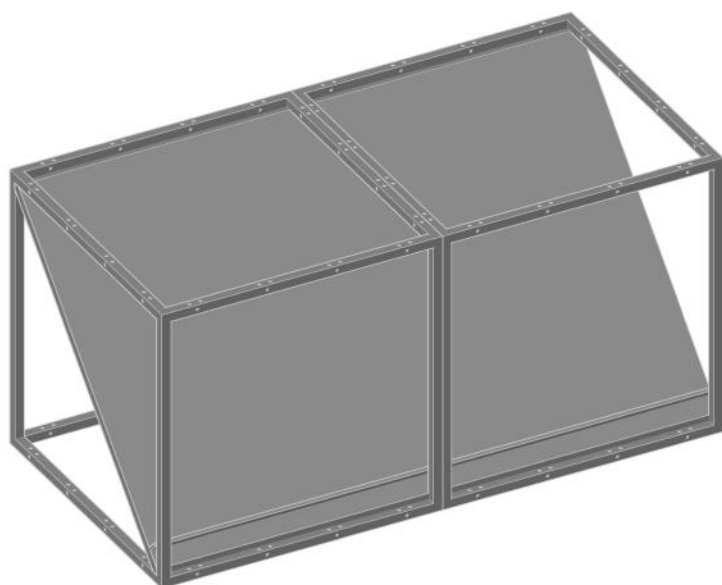
---

## Magazine Shelf, 1x2

Slide in the Magazine Shelf from the side as illustrated.



If necessary, the Magazine Shelf can be fixed in the same way as the Magazine Shelf, 1x1.



# Divider Insert

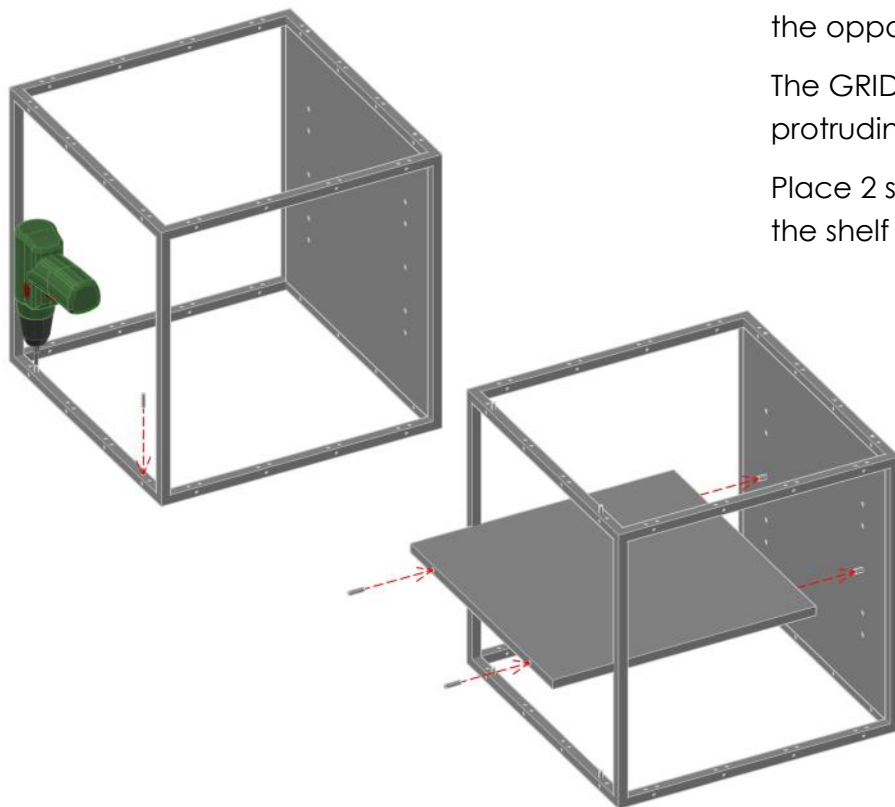
## Divider Insert, horizontal division

Mount one side as illustrated.

Screw 2 Standard GRID screws into the opposite base frame as illustrated.

The GRID screws should be protruding approx. 10mm.

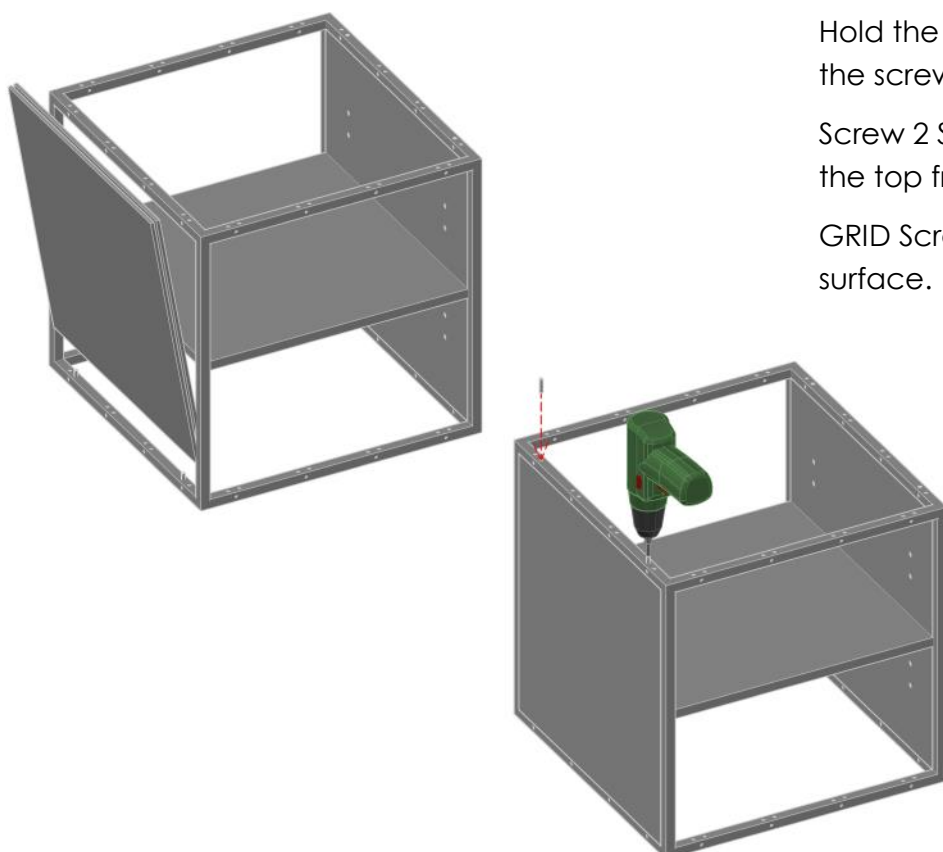
Place 2 shelf pins in the side and 2 in the shelf as illustrated.



Hold the shelf and slide the side over the screws into place.

Screw 2 Standard GRID screws into the top frame as illustrated.

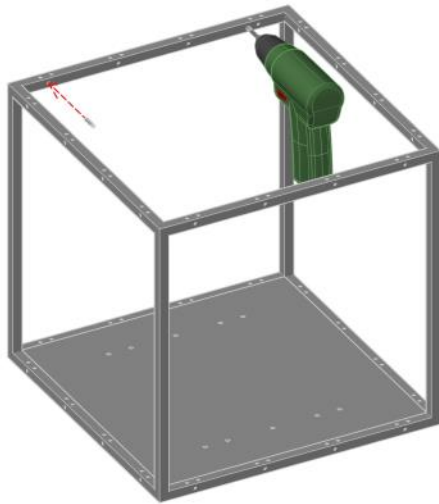
GRID Screws must be flush with the surface.





# Divider Insert

## Divider Insert, vertical division

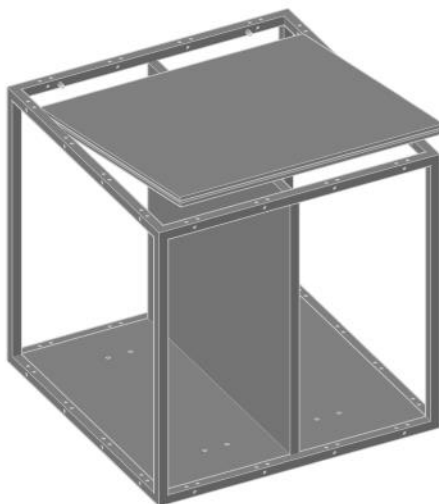
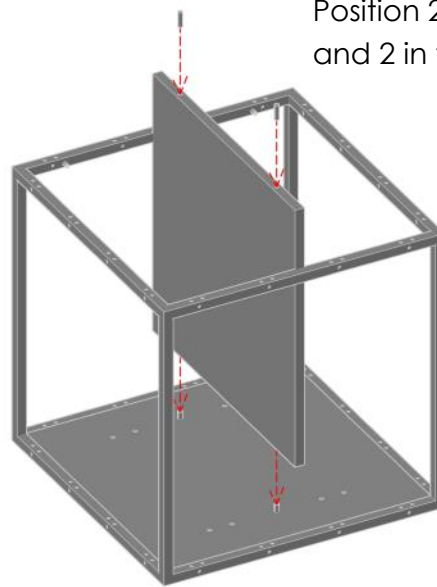


Mount the base shelf as illustrated.

Screw 2 Standard GRID screws into the top frame as illustrated.

The GRID screws should be protruding approx. 10mm.

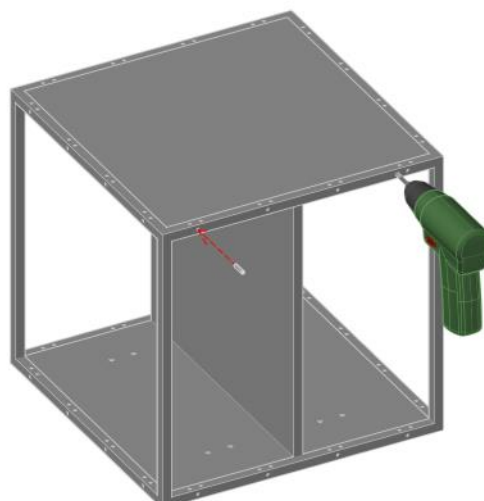
Position 2 shelf pins in the base shelf and 2 in the side as illustrated.



Hold the side and slide the top shelf over the screws into place.

Screw 2 Standard GRID screws into the top frame as illustrated.

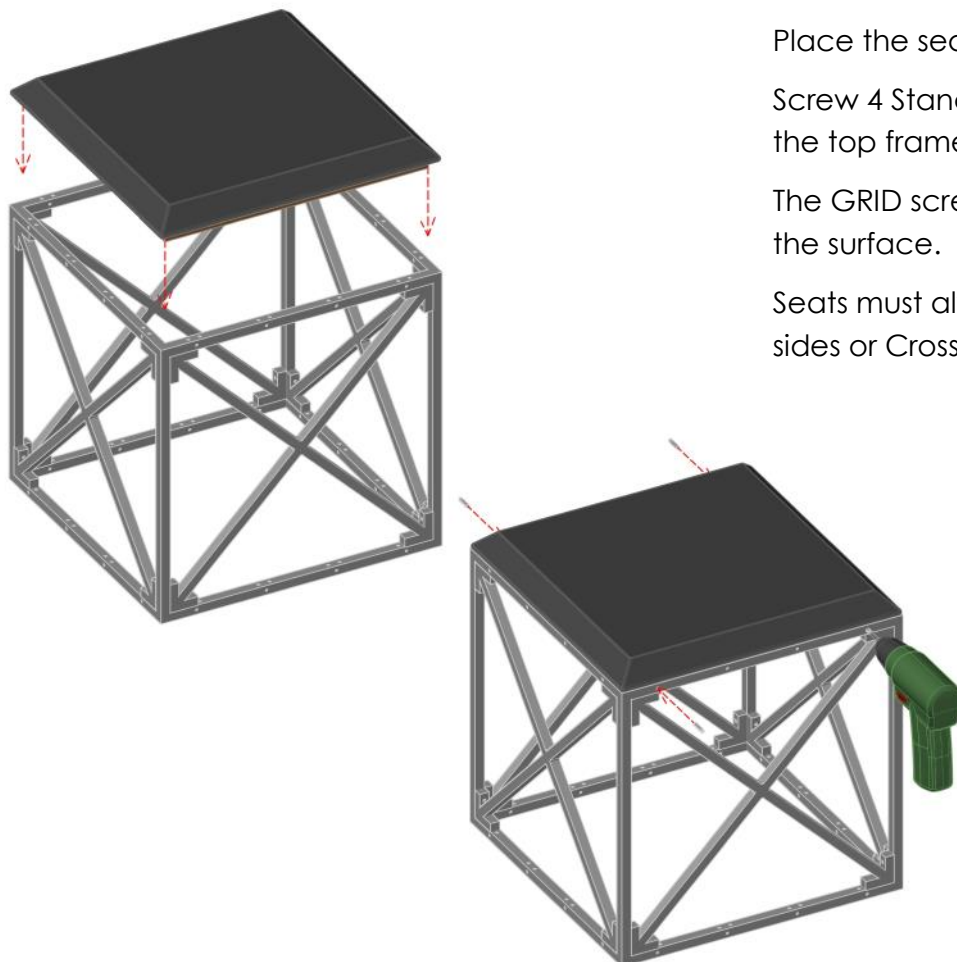
The GRID screws must be flush with the surface.



## Seat and Hanger Kit

---

### Seat, 1x1



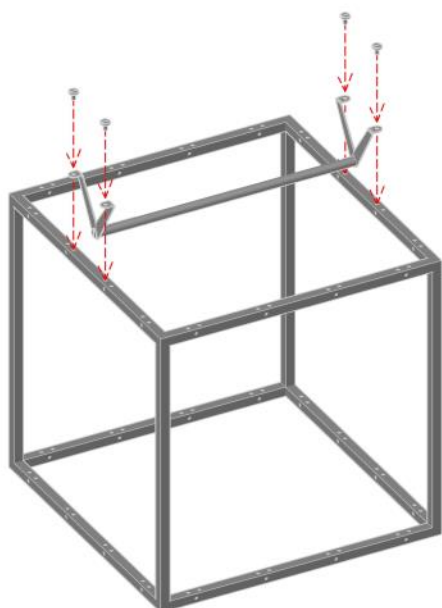
Place the seat on top of the module.

Screw 4 Standard GRID screws into the top frame as illustrated.

The GRID screws must be flush with the surface.

Seats must always be supported by sides or Cross Braces.

### Hanger Kit



Screw the 4 supplied screws into the frame as illustrated.

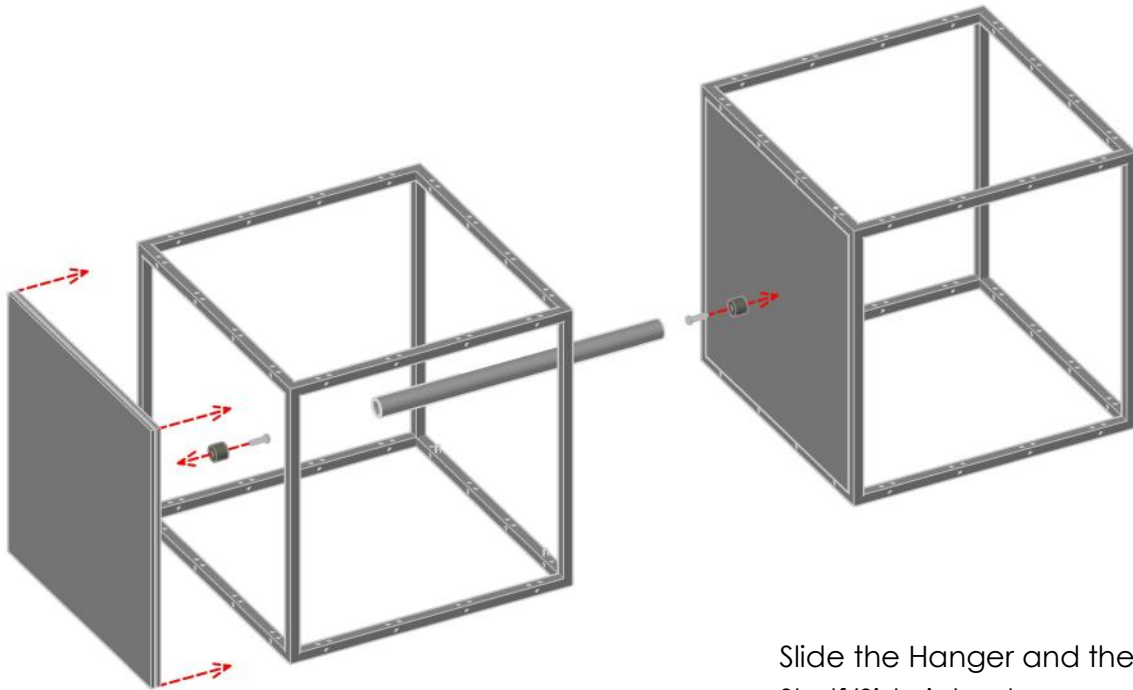
The Hanger Kit can be mounted both on top of the frame or below.

# Hanger

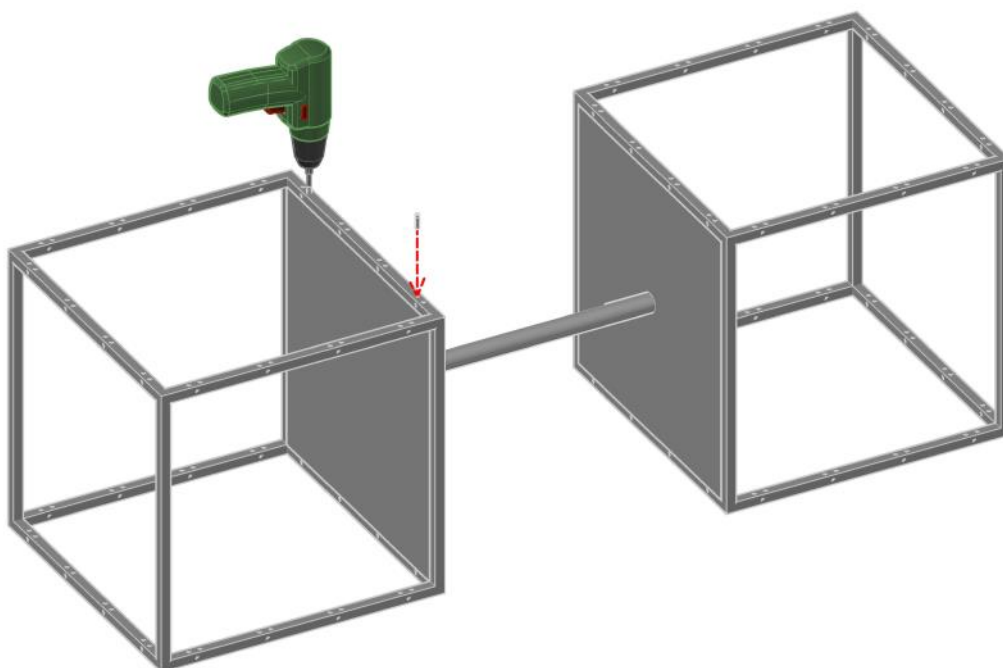
## Hanger, 1x1

Mount 1 bushing on each Shelf/Side in the desired height.

Mount one Shelf/Side.

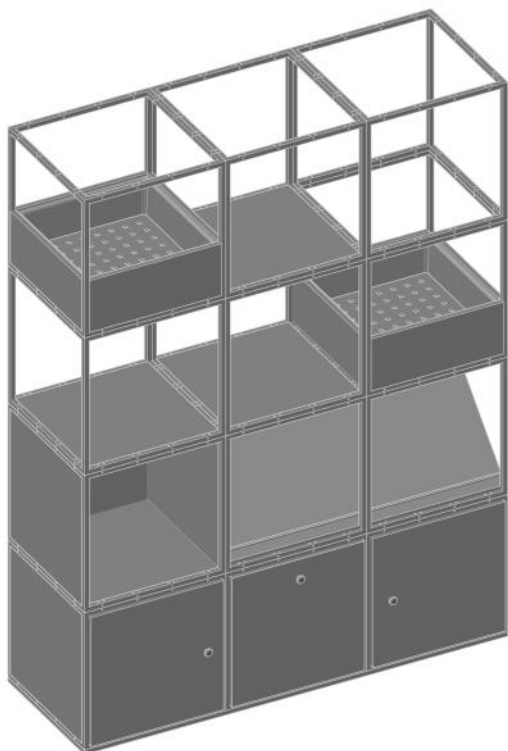


Slide the Hanger and the other Shelf/Side into place and mount the Shelf/Side.



# How to assemble a configuration

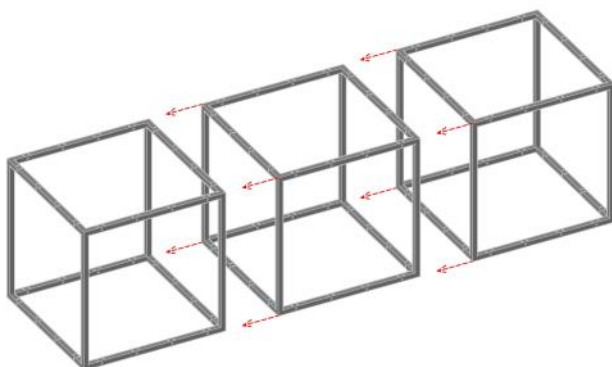
## Configuration



The configuration consists of:

12 x	GRID Basic Module
13 x	Shelf/Side
1 x	Base Panel, 1x3
1 x	Drawer Insert
2 x	Cupboard Insert
8 x	Box Side Panel
2 x	Plant Box Insert
1 x	Magazine Shelf, 1x2

## Step 1

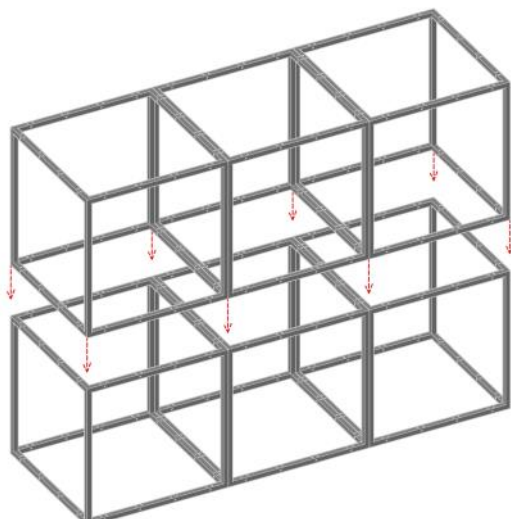


Screw 3 GRID modules together side by side, using 4 Standard GRID screws in each joint.

See page 4.

Repeat for all rows.

## Step 2



Screw 2 rows together as illustrated, using 4 Standard GRID screws in each joint.

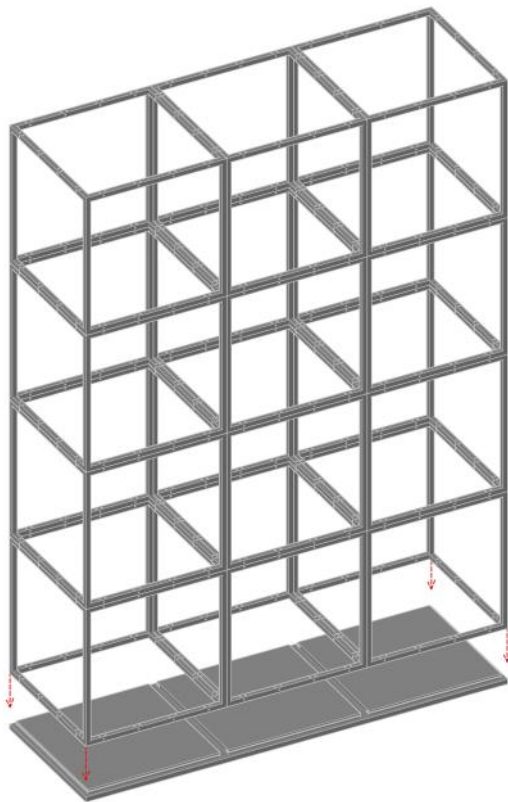
See page 4.

Repeat for all rows.

# How to assemble a configuration

---

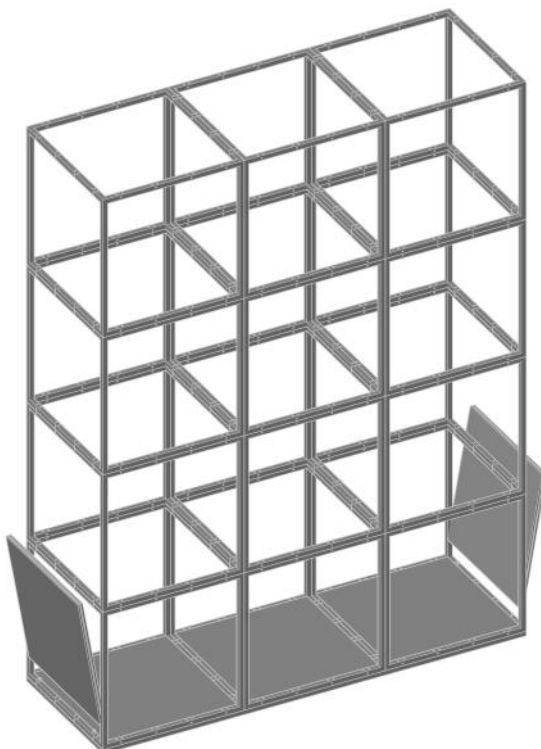
## Step 3



Mount the assembled modules on the Base Panel.

See page 12.

## Step 4



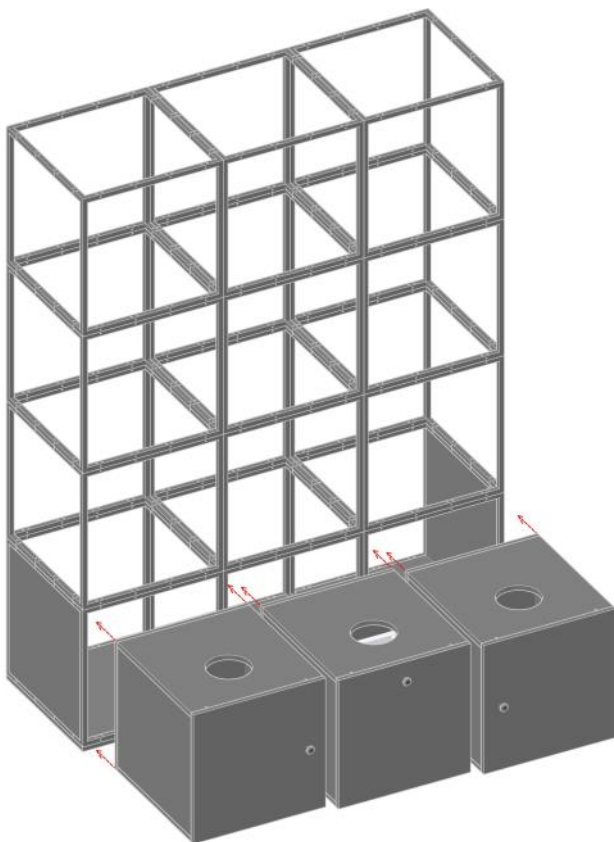
Mount 2 Shelf/Sides as sides.

See page 7.

## How to assemble a configuration

---

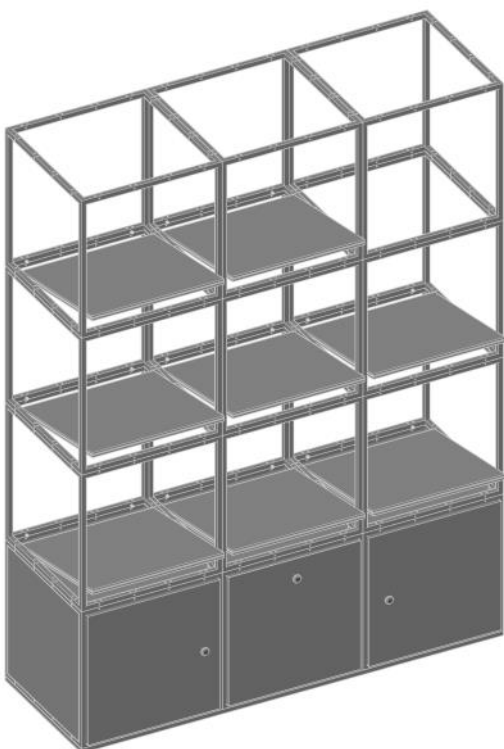
### Step 5



Mount the Drawer Insert and the 2  
Cupboard Inserts.

See page 16,17 and 18.

### Step 6



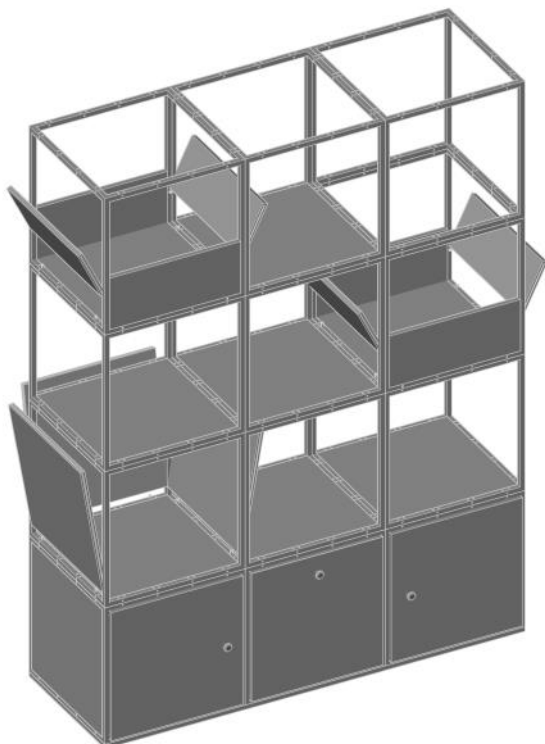
Mount 8 Shelf/Sides as shelves.

See page 6.

## How to assemble a configuration

---

### Step 7



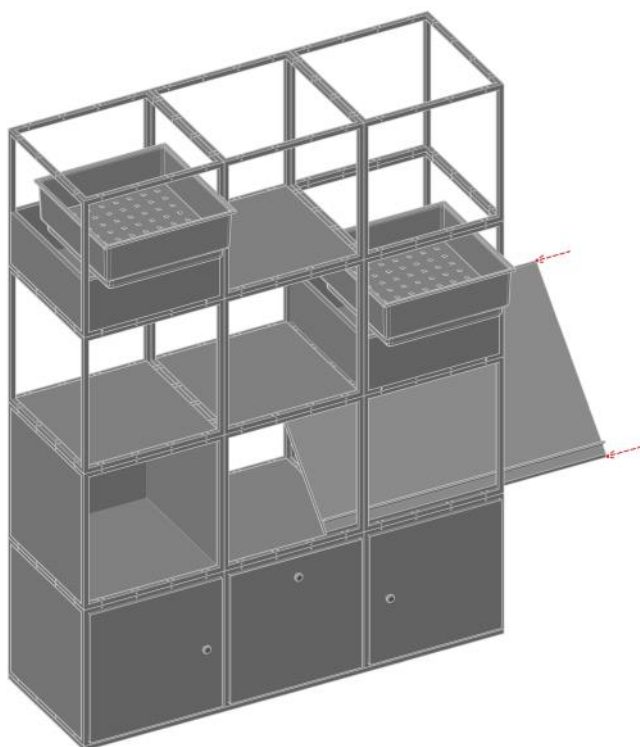
Mount 3 Shelf/Sides as sides.

See page 7.

Mount 8 Box Side Panels as illustrated.

See page 26.

### Step 8



Slide the Magazine Shelf into place.

See page 31.

Lower the 2 Plant Box Inserts into place.

See page 28.

